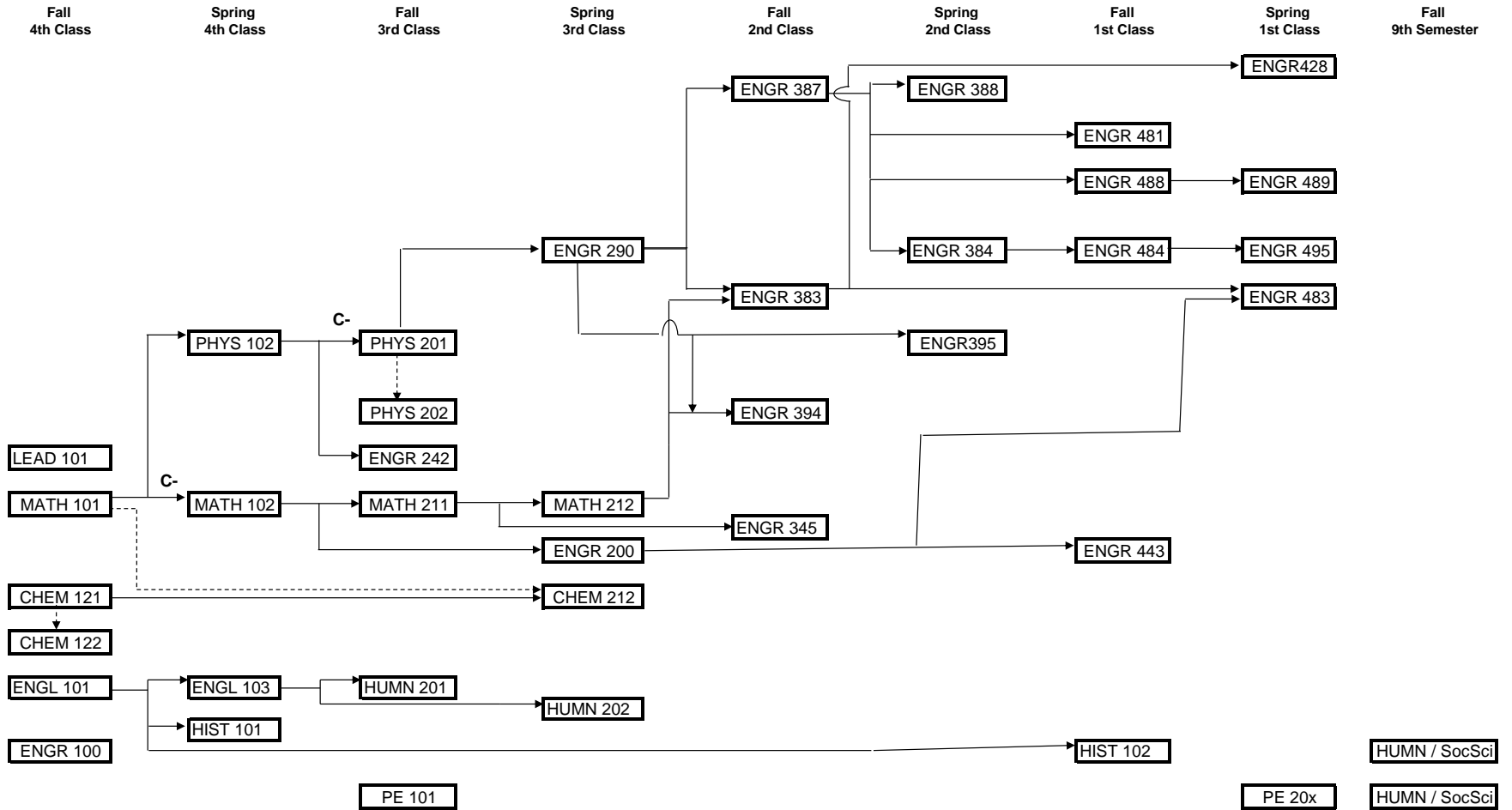


2011-2012
Degree Curricula
Flow Charts



Electrical Engineering - Class of 2015 Deck License

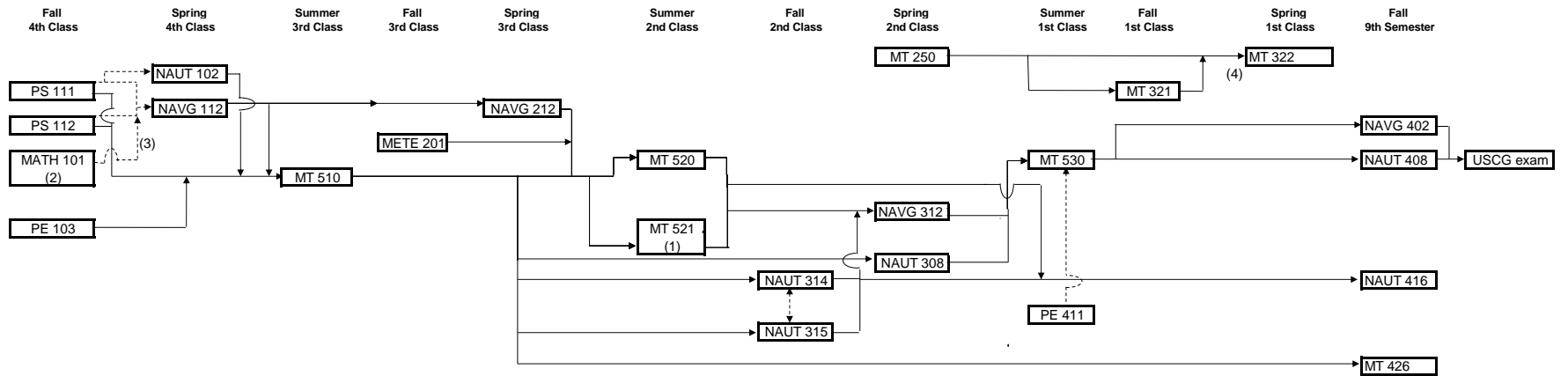
Edited 8/5/12



- Note: USCG Deck License Students must also take License courses as shown on the MEE Sys USCG License Course Flow sheet.
- > Indicates co-requisite where the course, at the end without an arrow point, is a co-requisite with the course which the arrow points to.
 - C- Students must have a minimum grade of C- in MATH 101 as a pre-requisite for MATH 102.
 - C- Students must have a minimum grade of C- in PHYS 102 as a pre-requisite for PHYS 201.

USCG Deck License Course Flow Bachelor of Engineering in Electrical Engineering for 2015 Graduates

Edited 8/5/12

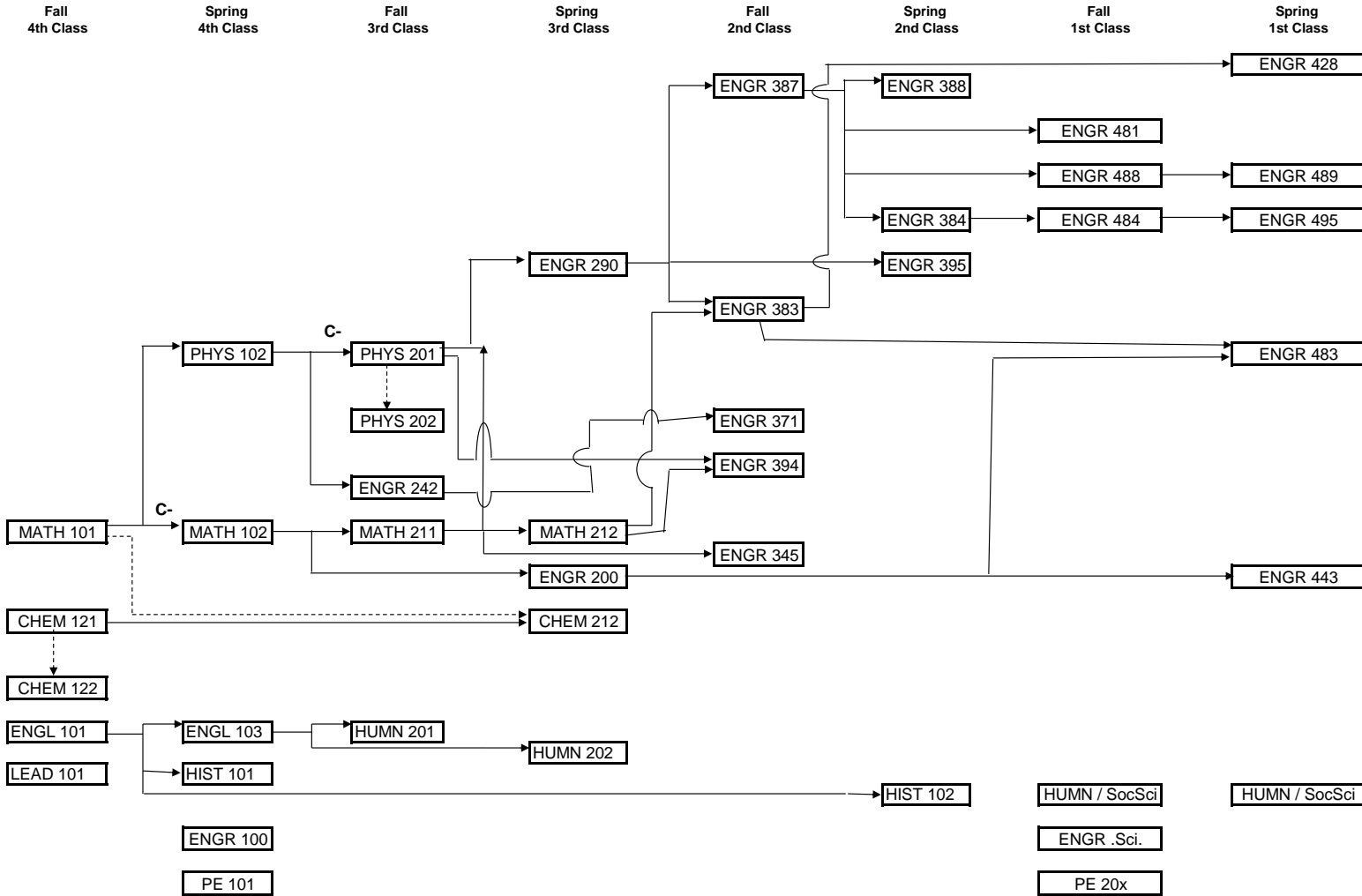


Notes

- (1) MT 521 (Cadet Observer) in lieu of MT 520.
- > Indicates co-requisite where the course, at the end without an arrow point, is a co-requisite with the course which the arrow points to.
- (2) Also listed on Marine Electrical and Electronic Deck Curriculum flow chart.
- (3) Corequisite is MATH 90.
- (4) Prerequisite for MT 322 is MT 250 or MT 321

Electrical Engineering Curriculum Flow Chart - Class of 2015 Engine License

Edited 8/5/12



Note: USCG Engine License Students must also take License courses as shown on the EE USCG License Course Flow sheet.

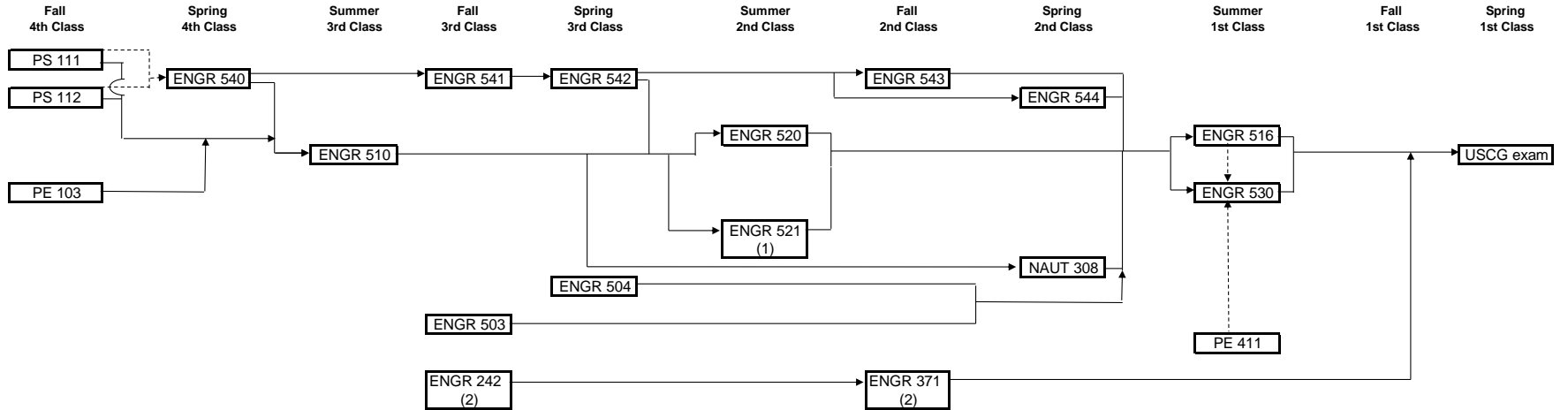
-----> Indicates co-requisite where the course, at the end without an arrow point, is a co-requisite with the course which the arrow points to.

C- Students must have a minimum grade of C- in MATH 101 as a pre-requisite for MATH 102.

C- Students must have a minimum grade of C- in PHYS 102 as a pre-requisite for PHYS 201.

USCG Engine License Course Flow Bachelor of Engineering in Electrical Engineering for 2015 Graduates

Edited 8/5/12



Notes

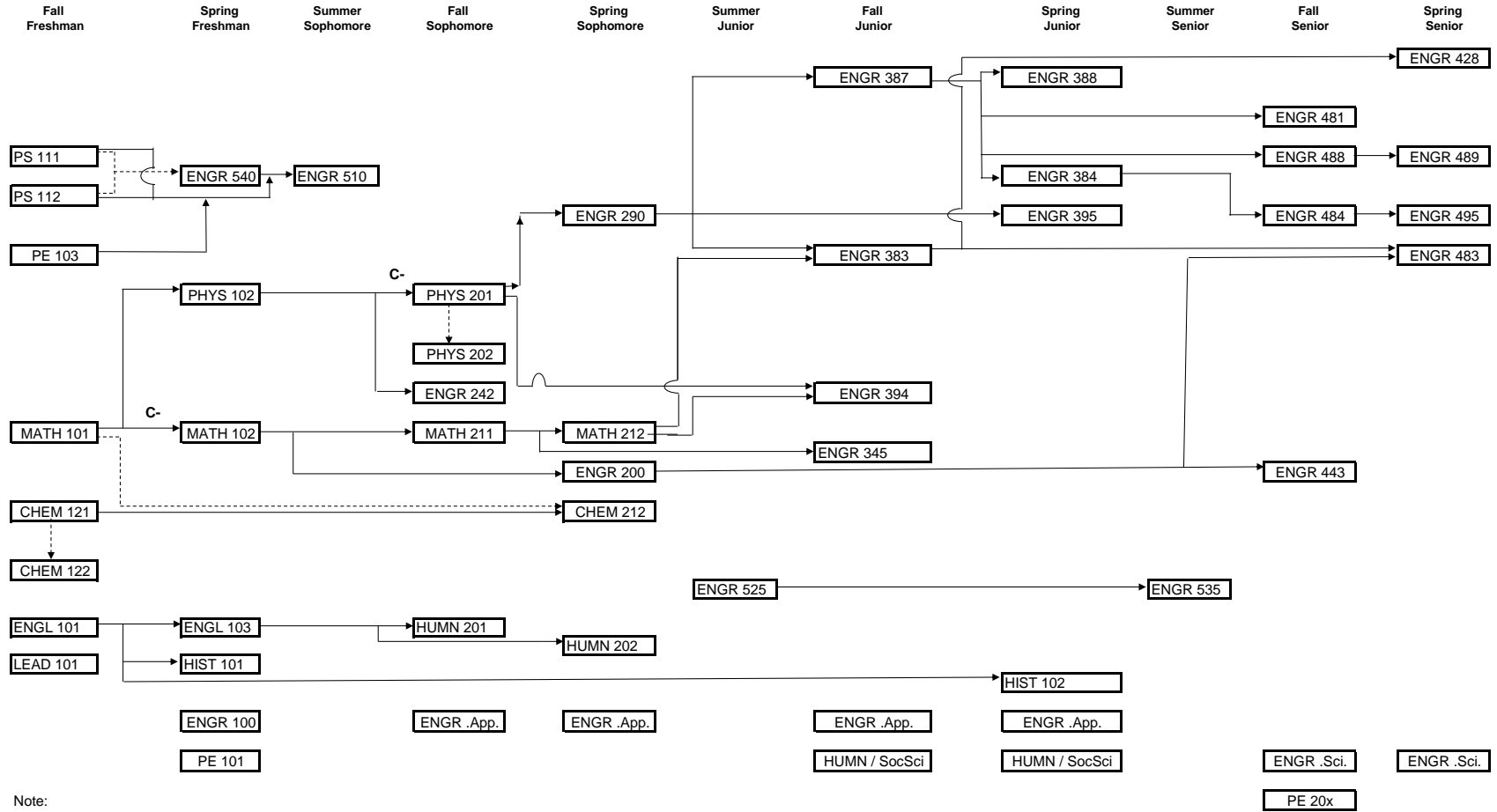
(1) ENGR 521 (Cadet Observer) in lieu of ENGR 520.

(2) Also listed on Electrical Engineering Curriculum flow chart.

-----> Indicates co-requisite where the course, at the end without an arrow point, is a co-requisite with the course which the arrow points to.

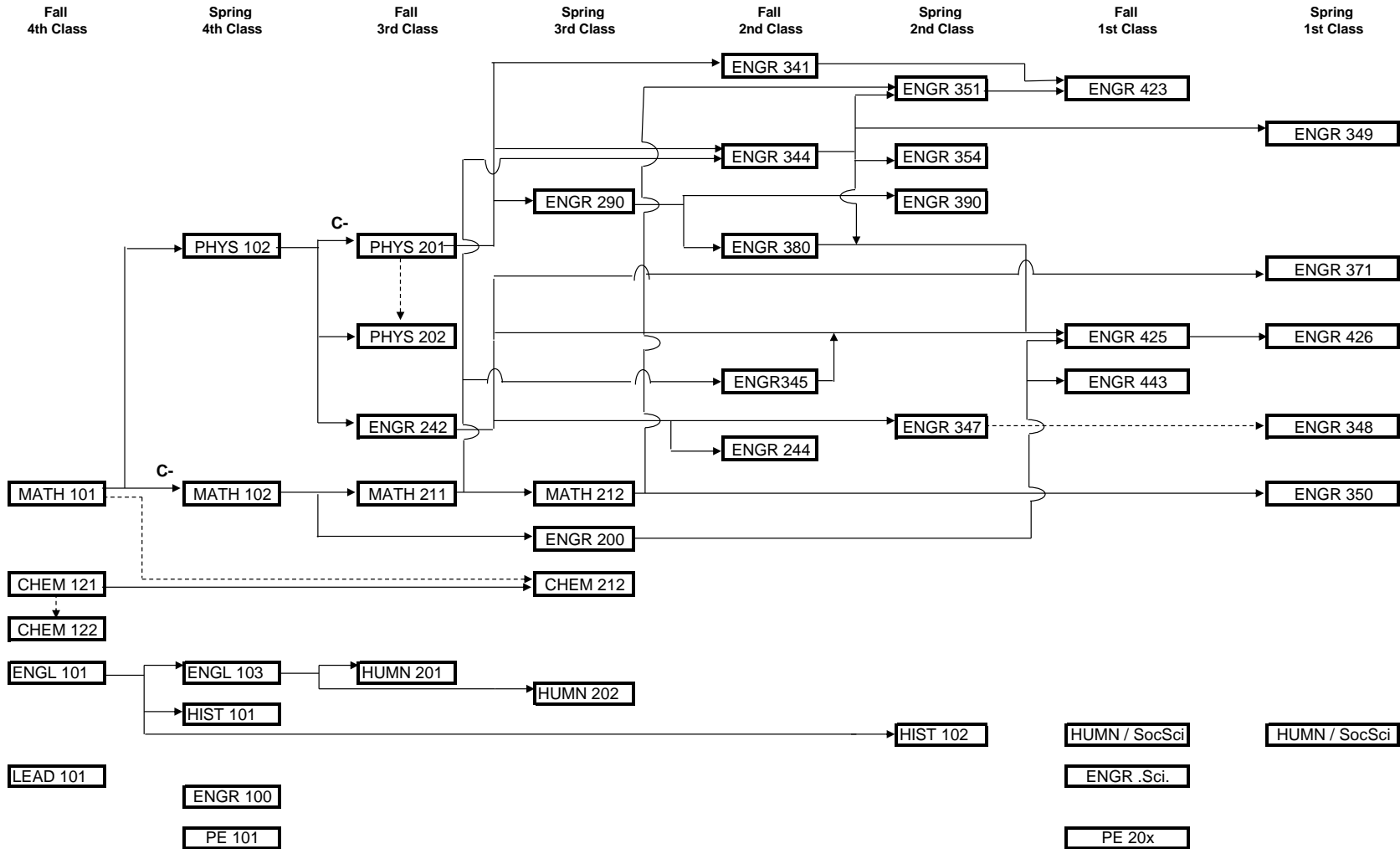
Electrical Engineering Curriculum Flow Chart - Class of 2015 - Intern Option

Edited 8/5/12



Facilities Engineering Curriculum Flow Chart - Class of 2015 Engine License Option

Edited 8/5/12

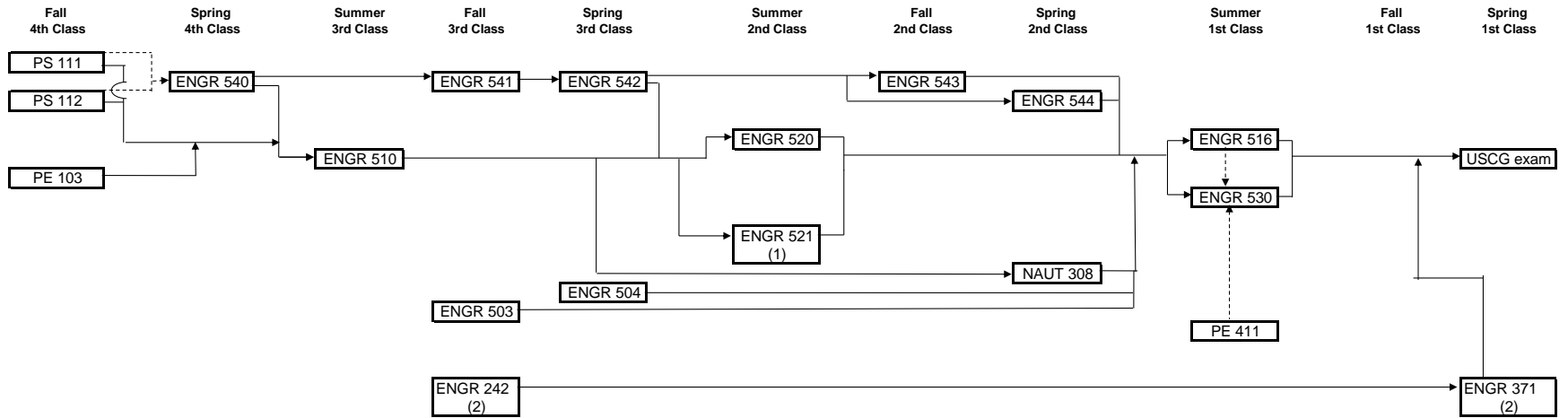


Note: USCG Engine License Students must also take License courses as shown on the FE USCG License Course Flow sheet.

- > Indicates co-requisite where the course, at the end without an arrow point, is a co-requisite with the course which the arrow points to.
- C- Students must have a minimum grade of C- in MATH 101 as a pre-requisite for MATH 102.
- C- Students must have a minimum grade of C- in PHYS 102 as a pre-requisite for PHYS 201.

USCG Engine License Course Flow Bachelor of Engineering in Facilities Engineering for 2015 Graduates

Edited 8/5/12

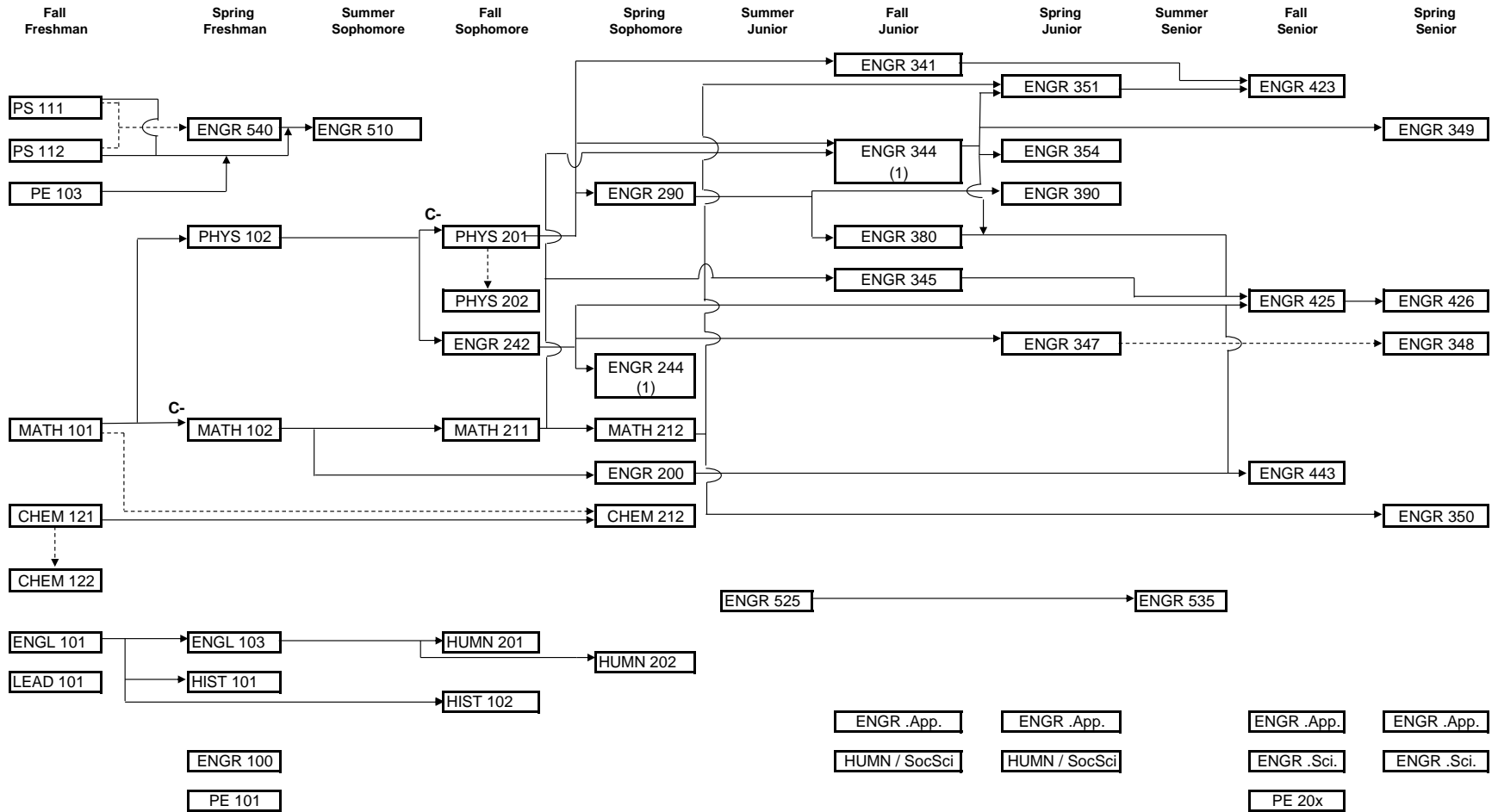


Notes

- (1) ENGR 521 (Cadet Observer) in lieu of ENGR 520.
 - (2) Also listed on Facilities Engineering Curriculum flow chart.
- > Indicates co-requisite where the course, at the end without an arrow point, is a co-requisite with the course which the arrow points to.

Facilities Engineering Curriculum Flow Chart - Class of 2015 Intern Option

Edited 8/5/12

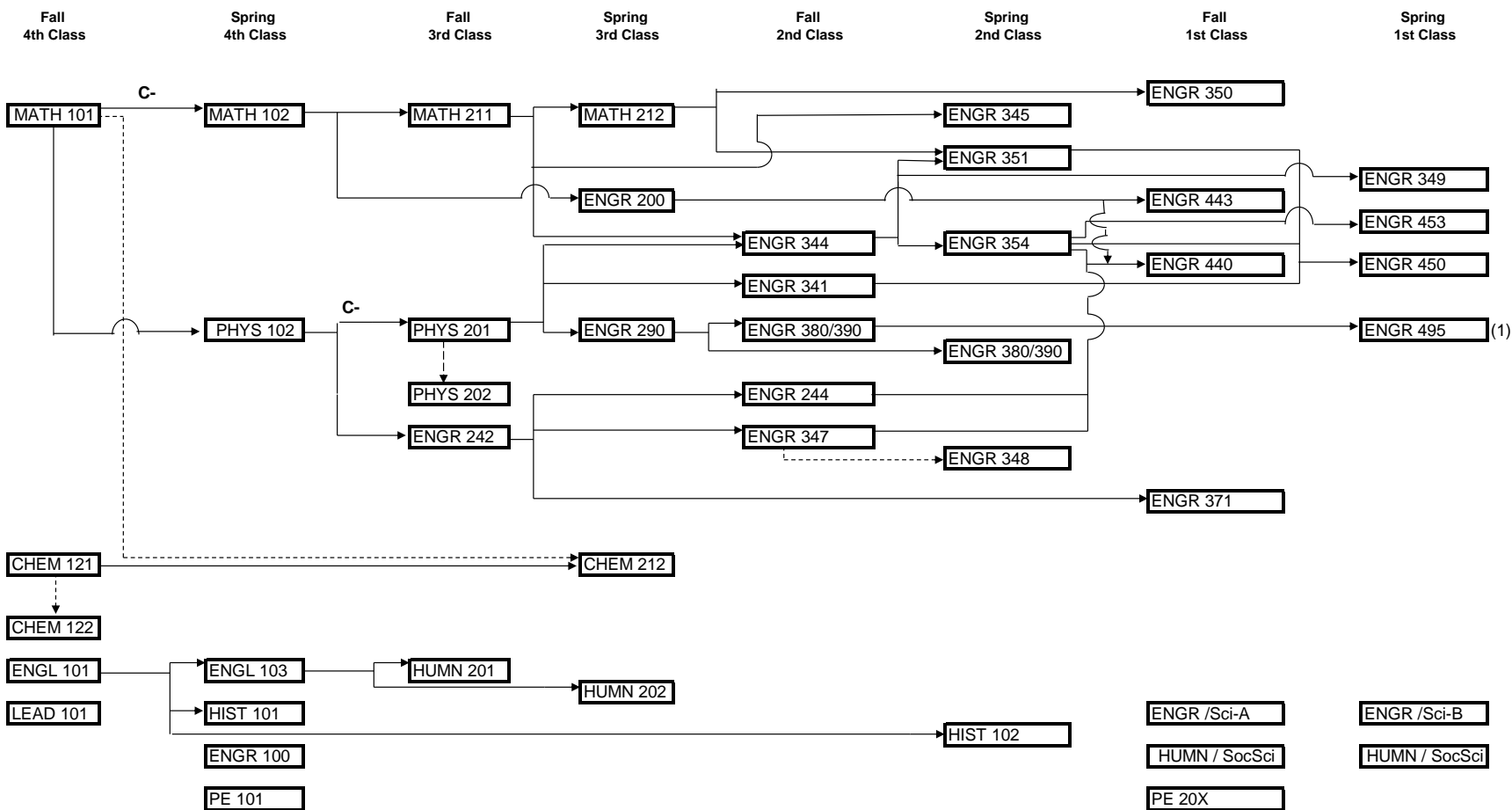


Note:

- > Indicates co-requisite where the course, at the end without an arrow point, is a co-requisite with the course which the arrow points to.
- (1) ENGR 244 may be taken in the Fall of Junior year if ENGR 344 is taken in the Spring of Sophomore year.
- C- Students must have a minimum grade of C- in MATH 101 as a pre-requisite for MATH 102.
- C- Students must have a minimum grade of C- in PHYS 102 as a pre-requisite for PHYS 201.

Marine Engineering Curriculum Flow Chart for Class of 2015

Edited 8/5/12

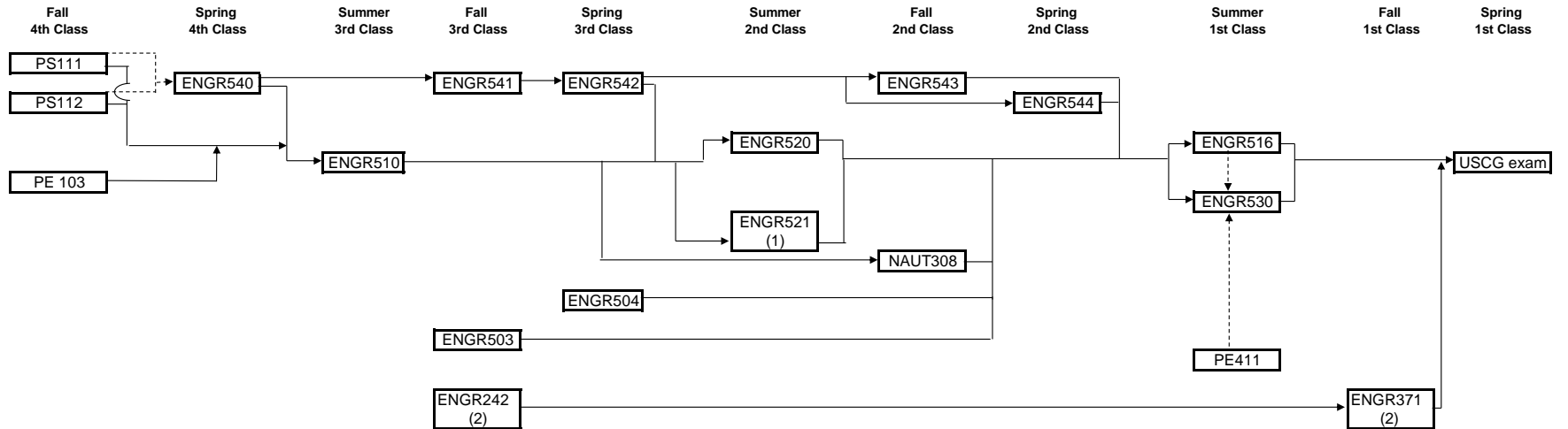


Notes:

- (1) ENGR 380 is the pre-requisite for ENGR 495.
- > Indicates co-requisite where the course, at the end without an arrow point, is a co-requisite with the course which the arrow points to. Students must also take Engine License courses as shown on the ME USCG License Course Flow sheet.
- C- Students must have a minimum grade of C- in MATH 101 as a pre-requisite for MATH 102.
- C- Students must have a minimum grade of C- in PHYS 102 as a pre-requisite for PHYS 201.

USCG Engine License Course Flow Bachelor of Engineering in Marine Engineering for 2015 Graduates

Edited 8/5/12

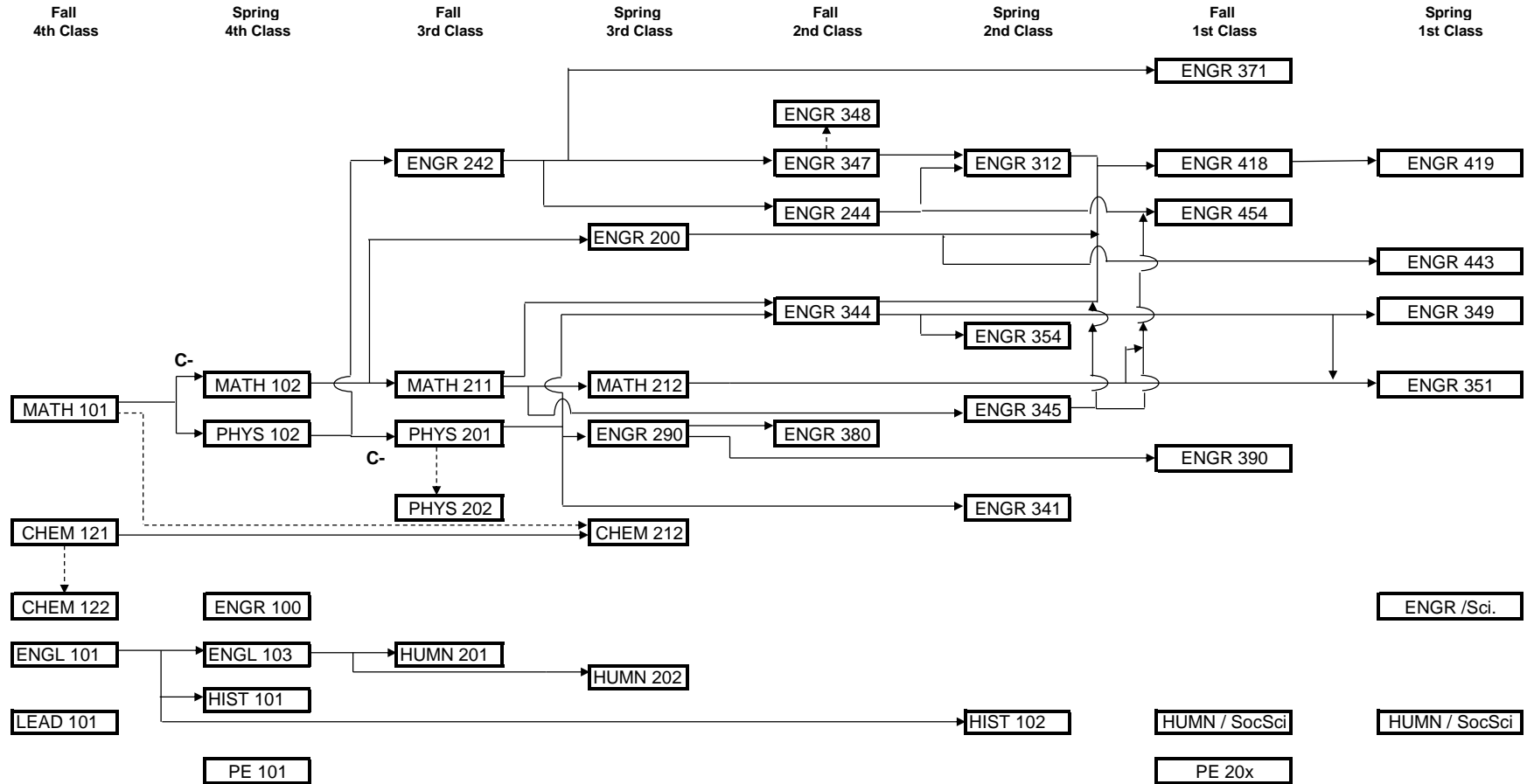


Notes

- (1) ENGR521 (Cadet Observer) in lieu of ENGR520.
 - (2) Also listed on Marine Engineering Program Curriculum flow chart.
- > Indicates co-requisite where the course, at the end without an arrow point, is a co-requisite with the course which the arrow points to.

Mechanical Engineering Curriculum Flow Chart - Class of 2015 Engine License Option

Edited 8/5/12



Notes:



USCG Engine License Students must also take License courses as shown on the MechE USCG License Course Flow sheet.
Indicates co-requisite where the course, at the end without an arrow point, is a co-requisite with the course which the arrow points to.

C-

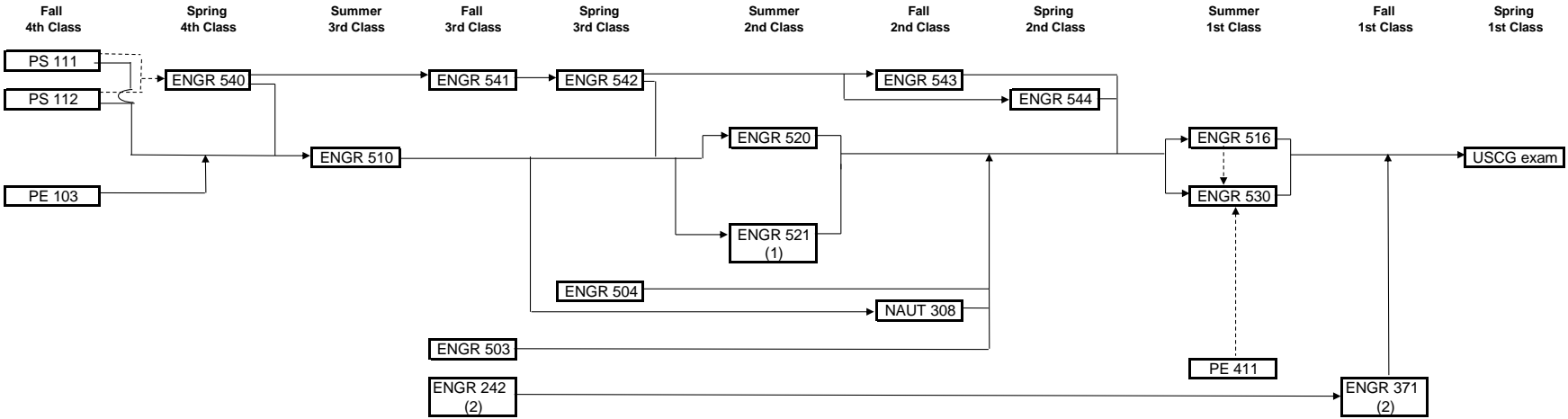
Students must have a minimum grade of C- in MATH 101 as a pre-requisite for MATH 102.

C-

Students must have a minimum grade of C- in PHYS 102 as a pre-requisite for PHYS 201.

USCG Engine License Course Flow Bachelor of Engineering in Mechanical Engineering for 2015 Graduates

Edited 8/5/12

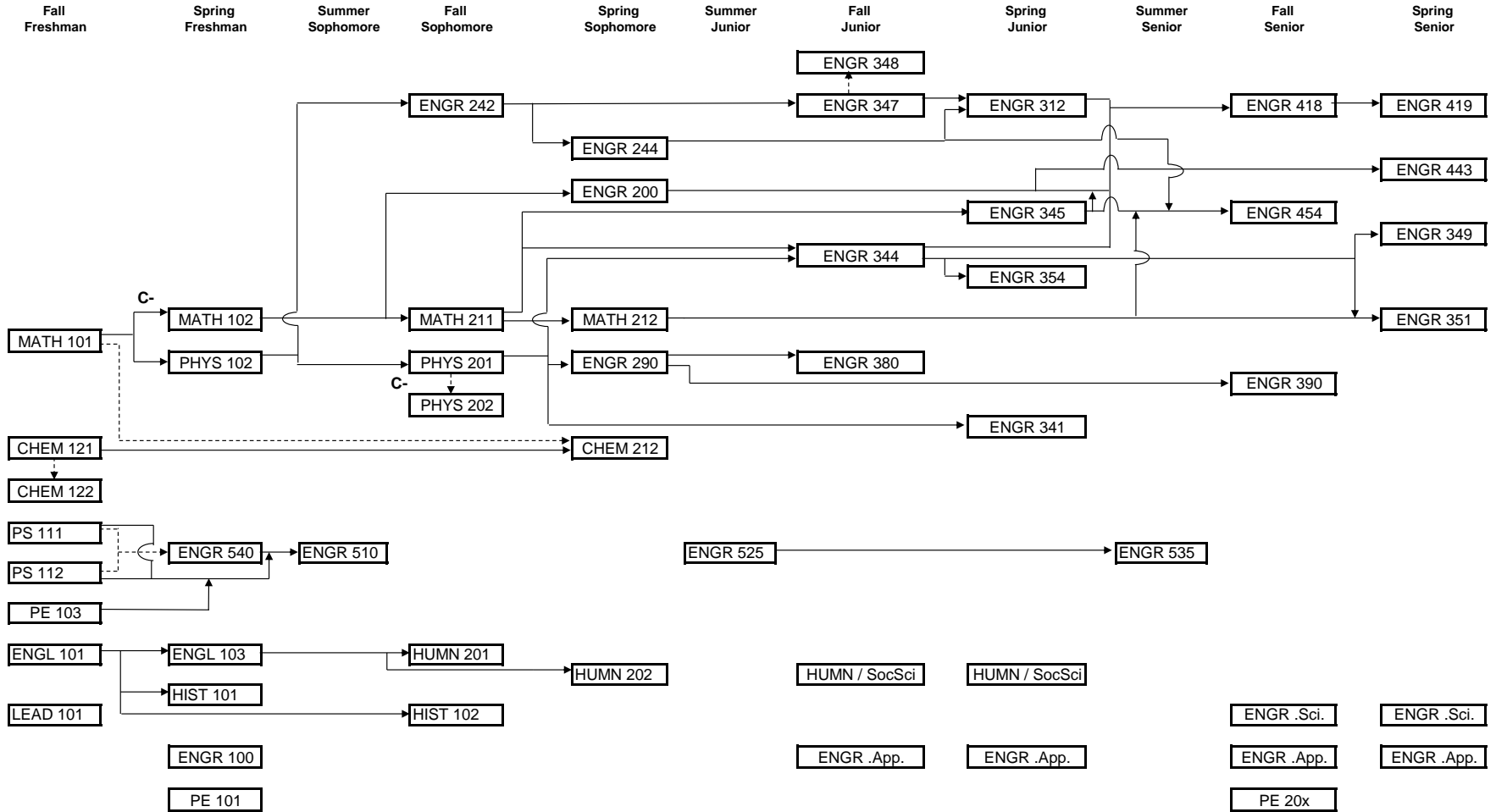


Notes

- (1) ENGR 521 (Cadet Observer) in lieu of ENGR 520.
 - (2) Also listed on Mechanical Engineering Curriculum flow chart.
- > Indicates co-requisite where the course, at the end without an arrow point, is a co-requisite with the course which the arrow points to.

Mechanical Engineering Curriculum Flow Chart - Class of 2015 Intern Option

Edited 8/5/12

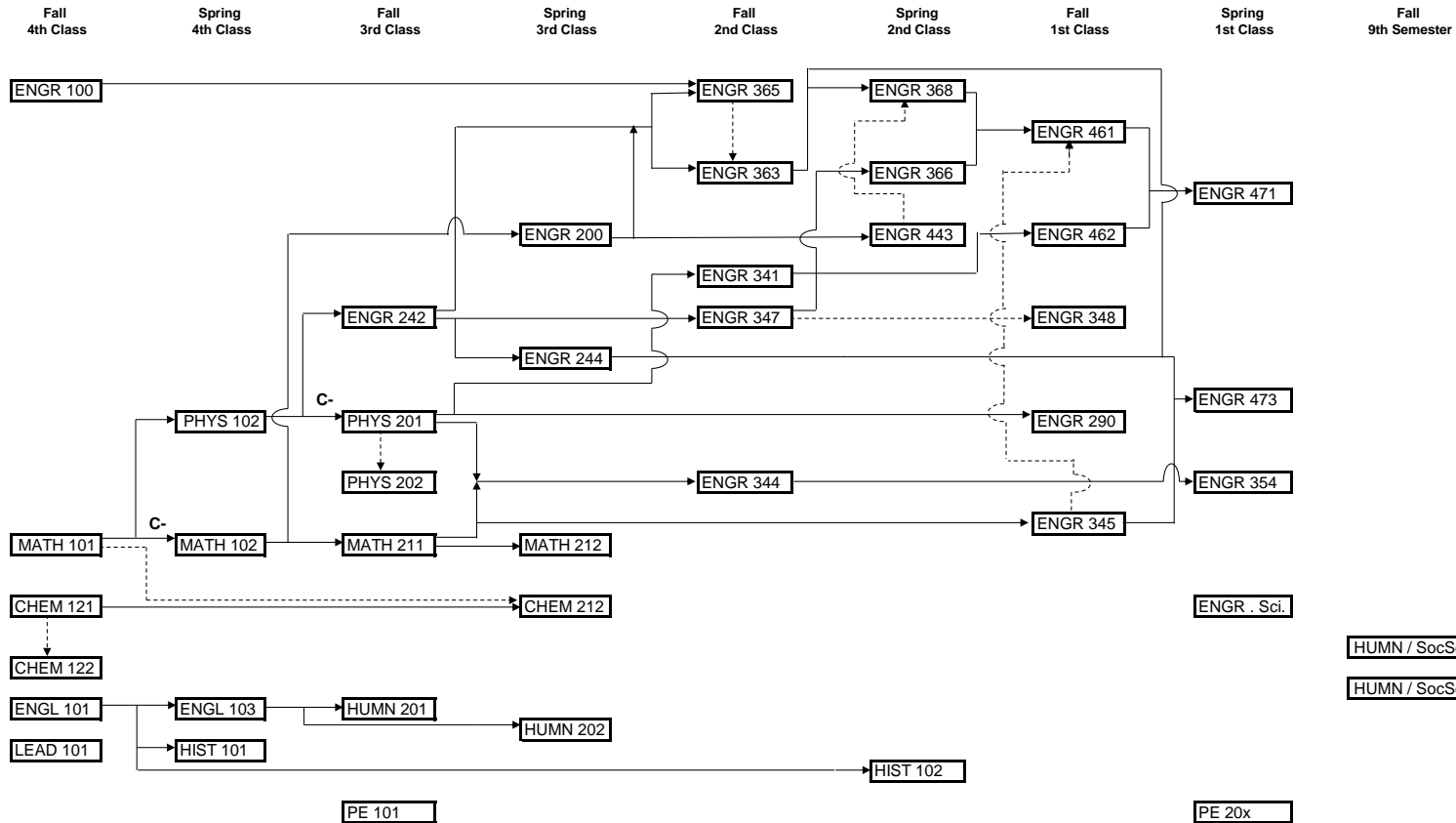


Notes:

- > Indicates co-requisite where the course, at the end without an arrow point, is a co-requisite with the course which the arrow points to.
- C- Students must have a minimum grade of C- in MATH 101 as a pre-requisite for MATH 102.
- C- Students must have a minimum grade of C- in PHYS 102 as a pre-requisite for PHYS 201.

Naval Architecture Curriculum Flow Chart - Class of 2015 for Engineering Courses for Deck License Option

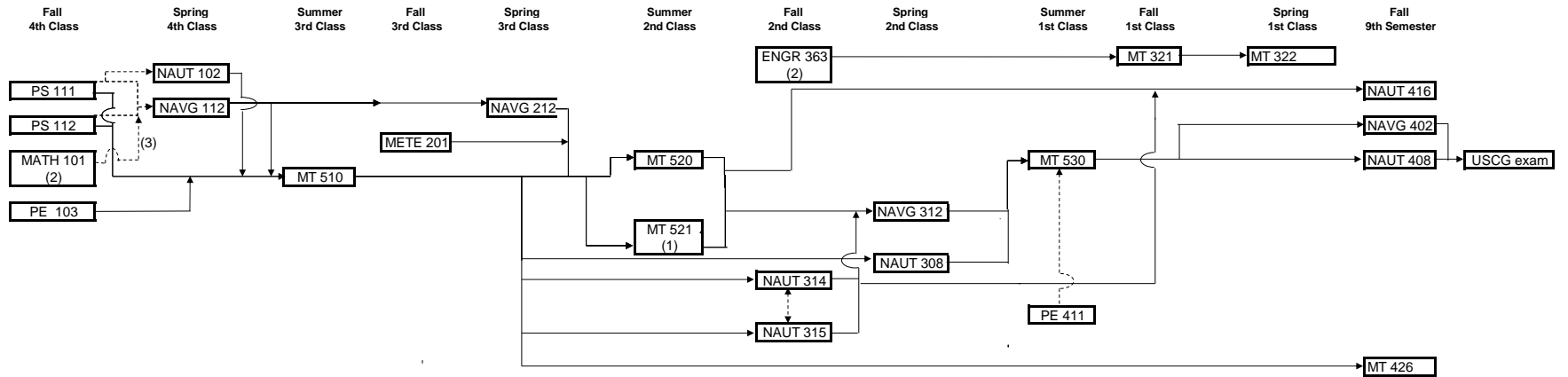
Edited 8/5/12



- Notes:
- > USCG Deck License Students must also take License courses as shown on the NA USCG Deck License Course Flow sheet. Indicates co-requisite where the course, at the end without an arrow point, is a co-requisite with the course which the arrow points to.
 - C- Students must have a minimum grade of C- in MATH 101 as a pre-requisite for MATH 102.
 - C- Students must have a minimum grade of C- in PHYS 102 as a pre-requisite for PHYS 201.

USCG Deck License Course Flow Bachelor of Engineering in Naval Architecture for 2015 Graduates

Edited 8/5/12

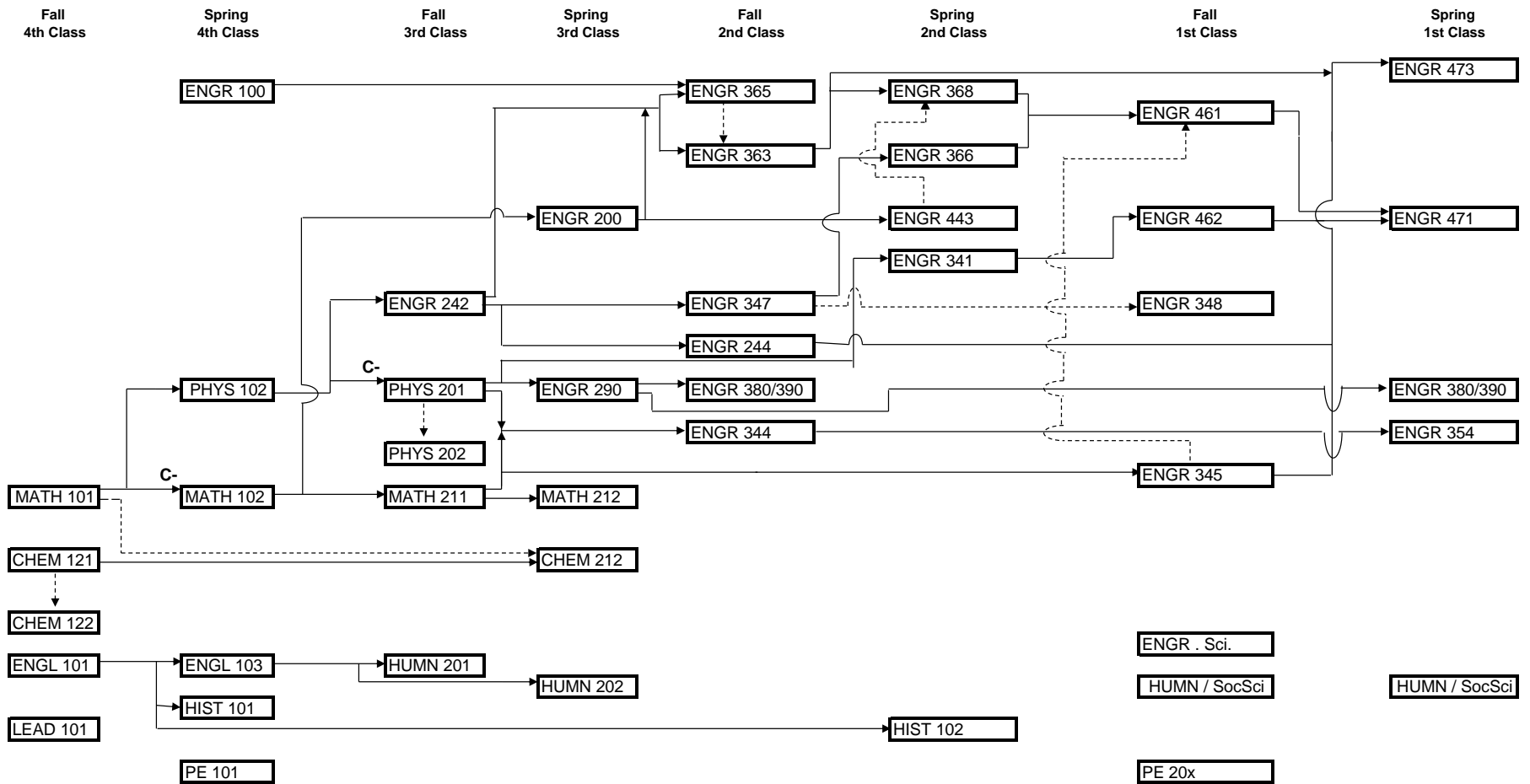


Notes

- (1) MT 521 (Cadet Observer) in lieu of MT 520.
- (2) Indicates co-requisite where the course, at the end without an arrow point, is a co-requisite with the course which the arrow points to.
- (3) Also listed on Naval Architecture Deck Curriculum flow chart. Corequisite is MATH 90.

Naval Architecture Curriculum Flow Chart - Class of 2015 for Engine License

Edited 8/5/12



Notes:

----->

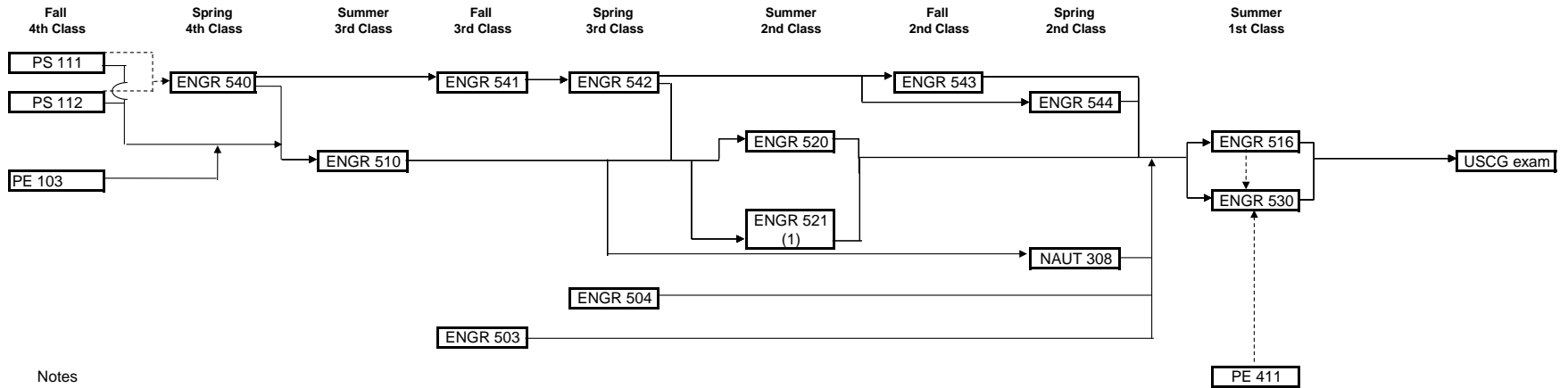
C-

C-

USCG Engine License Students must also take License courses as shown on the NA USCG Engine License Course Flow sheet.
 Indicates co-requisite where the course, at the end without an arrow point, is a co-requisite with the course which the arrow points to.
 Students must have a minimum grade of C- in MATH 101 as a pre-requisite for MATH 102.
 Students must have a minimum grade of C- in PHYS 102 as a pre-requisite for PHYS 201.

USCG Engine License Course Flow Bachelor of Engineering in Naval Architecture for 2015 Graduates

Edited 8/5/12

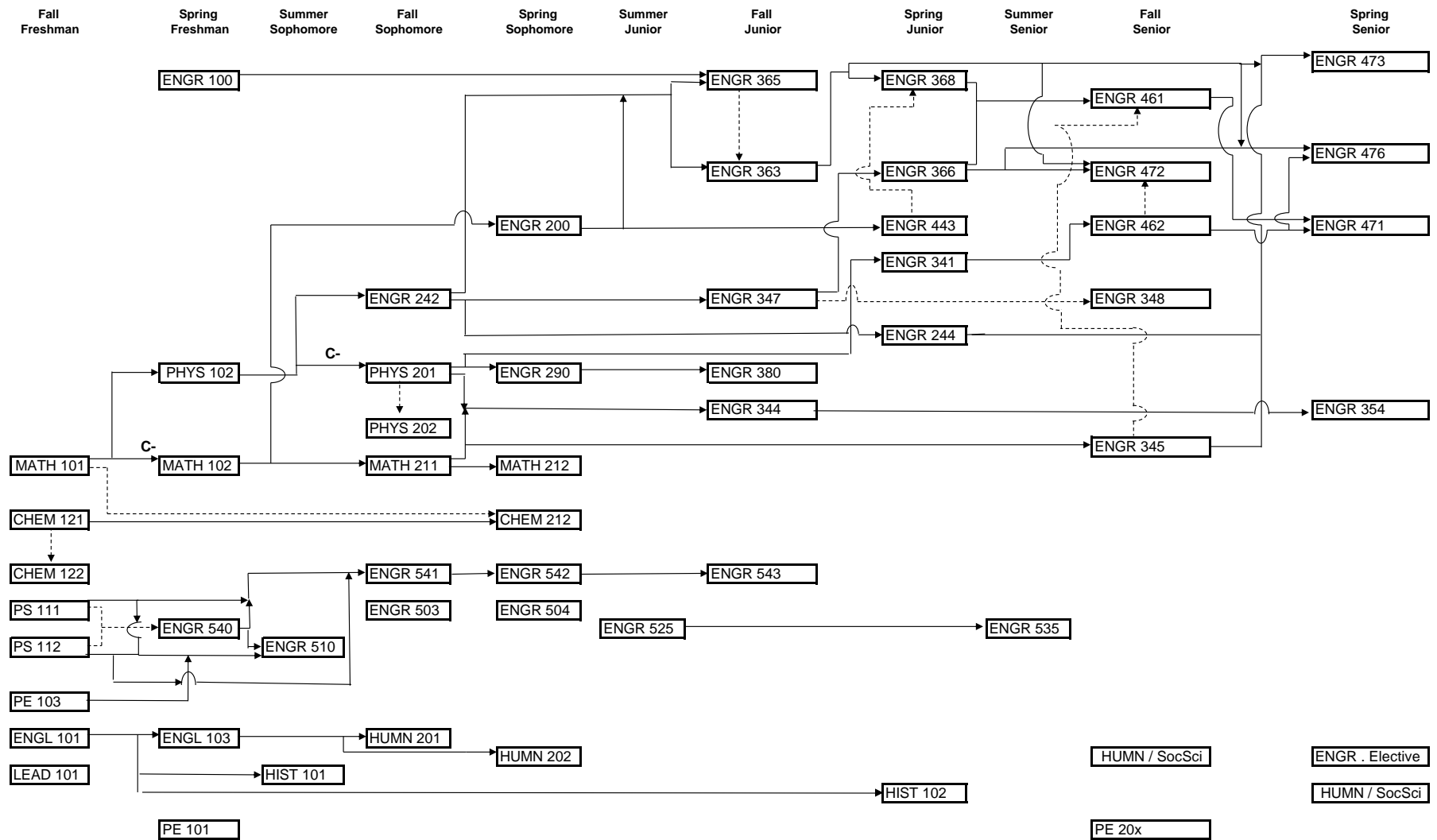


Notes

- (1) ENGR 521 (Cadet Observer) in lieu of ENGR 520.
 -----> Indicates co-requisite where the course, at the end without an arrow point, is a co-requisite with the course which the arrow points to.

Naval Architecture Curriculum Flow Chart - Class of 2015 for Intern Option

Edited 8/5/12

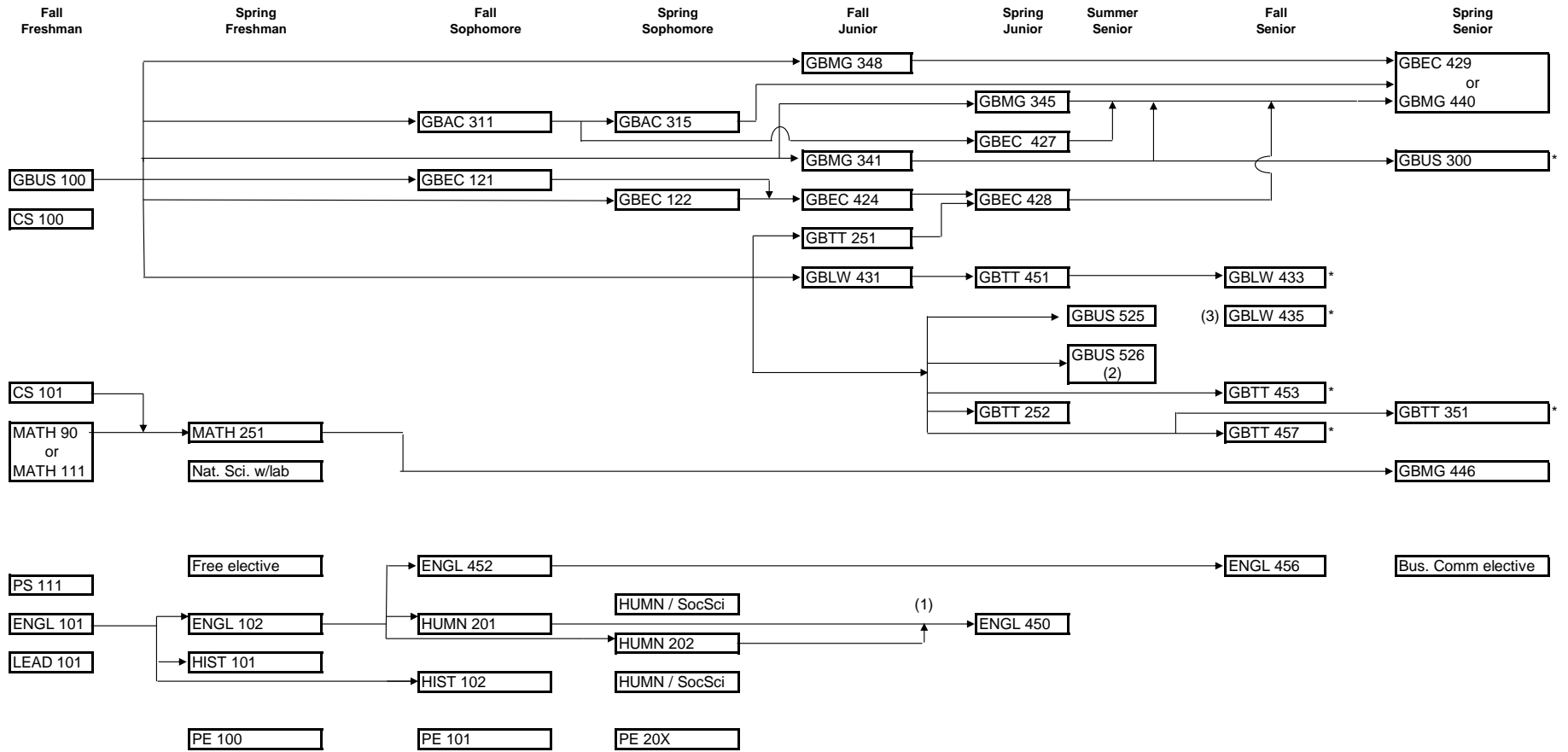


Notes:

- > Indicates co-requisite where the course, at the end without an arrow point, is a co-requisite with the course which the arrow points to.
- C- Students must have a minimum grade of C- in MATH 101 as a pre-requisite for MATH 102.
- C- Students must have a minimum grade of C- in PHYS 102 as a pre-requisite for PHYS 201.

ITT Intern Business Communications Minor Curriculum Flow Chart for Class of 2015

Edited 9/8/12



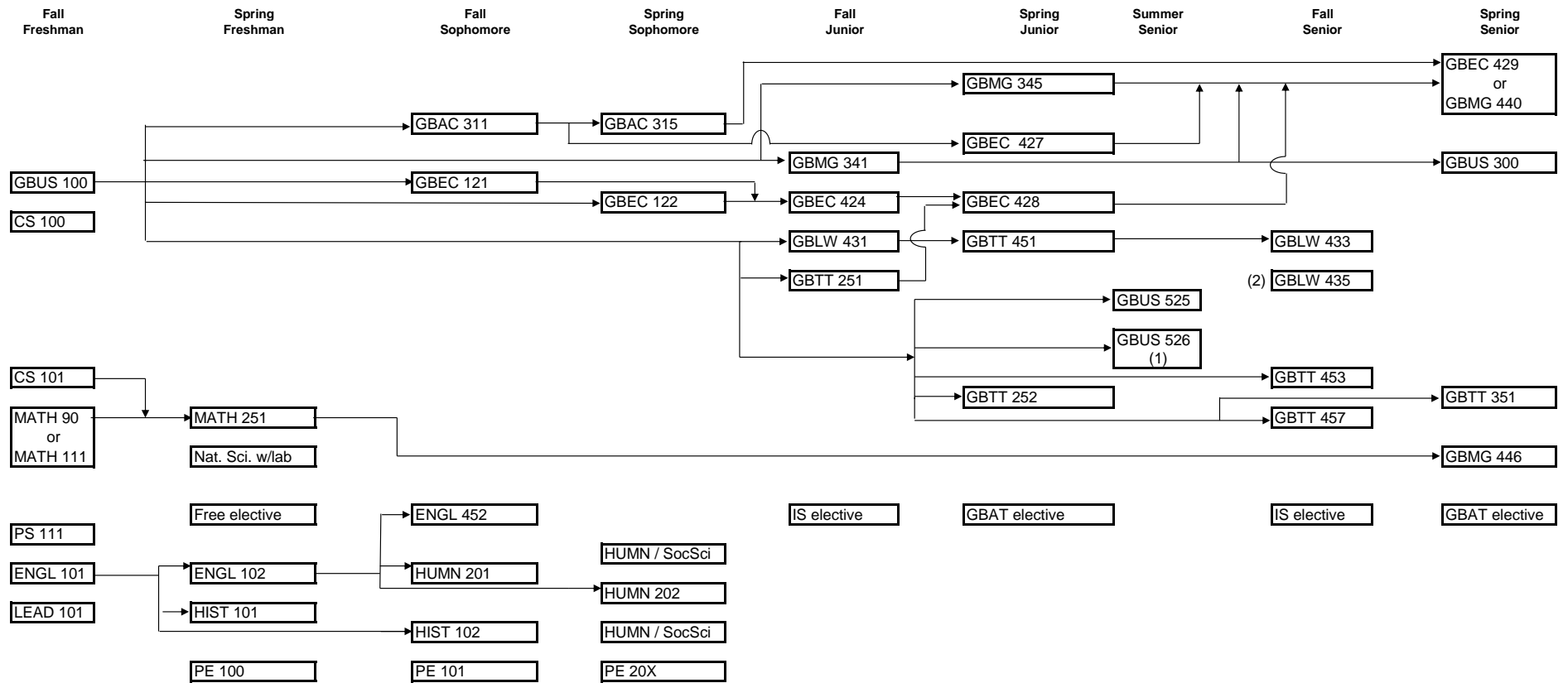
Notes:

(1) Prerequisite is HUMN 201 or 202.

* Students will meet with advisor to replace one of these courses by a Business Communications elective.

ITT Intern Curriculum Flow Chart for Class of 2015

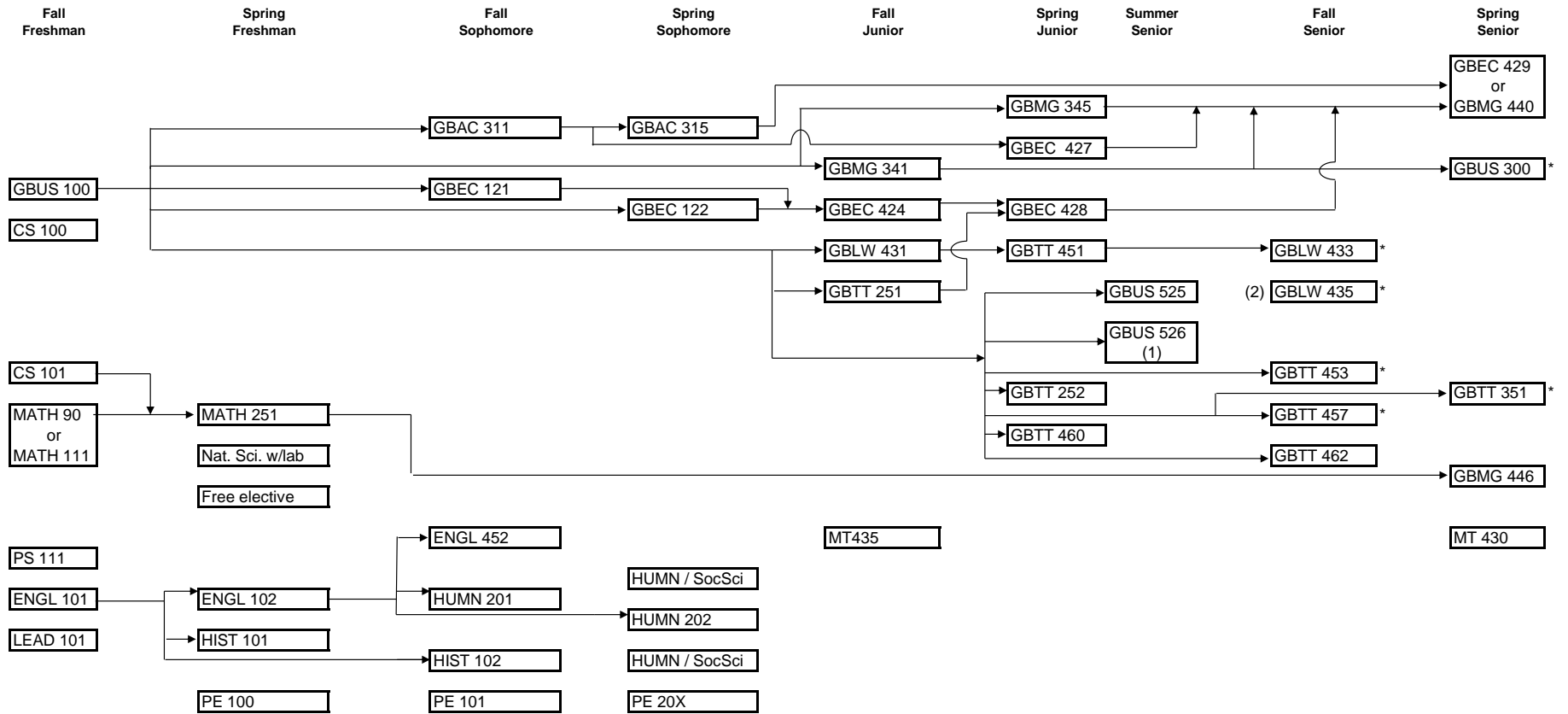
Edited 9/8/12



Notes: (1) GBUS 526 ITT Study Abroad in lieu of GBUS 525

ITT Intern Intermodal & Maritime Security Minor Curriculum Flow Chart for Class of 2015

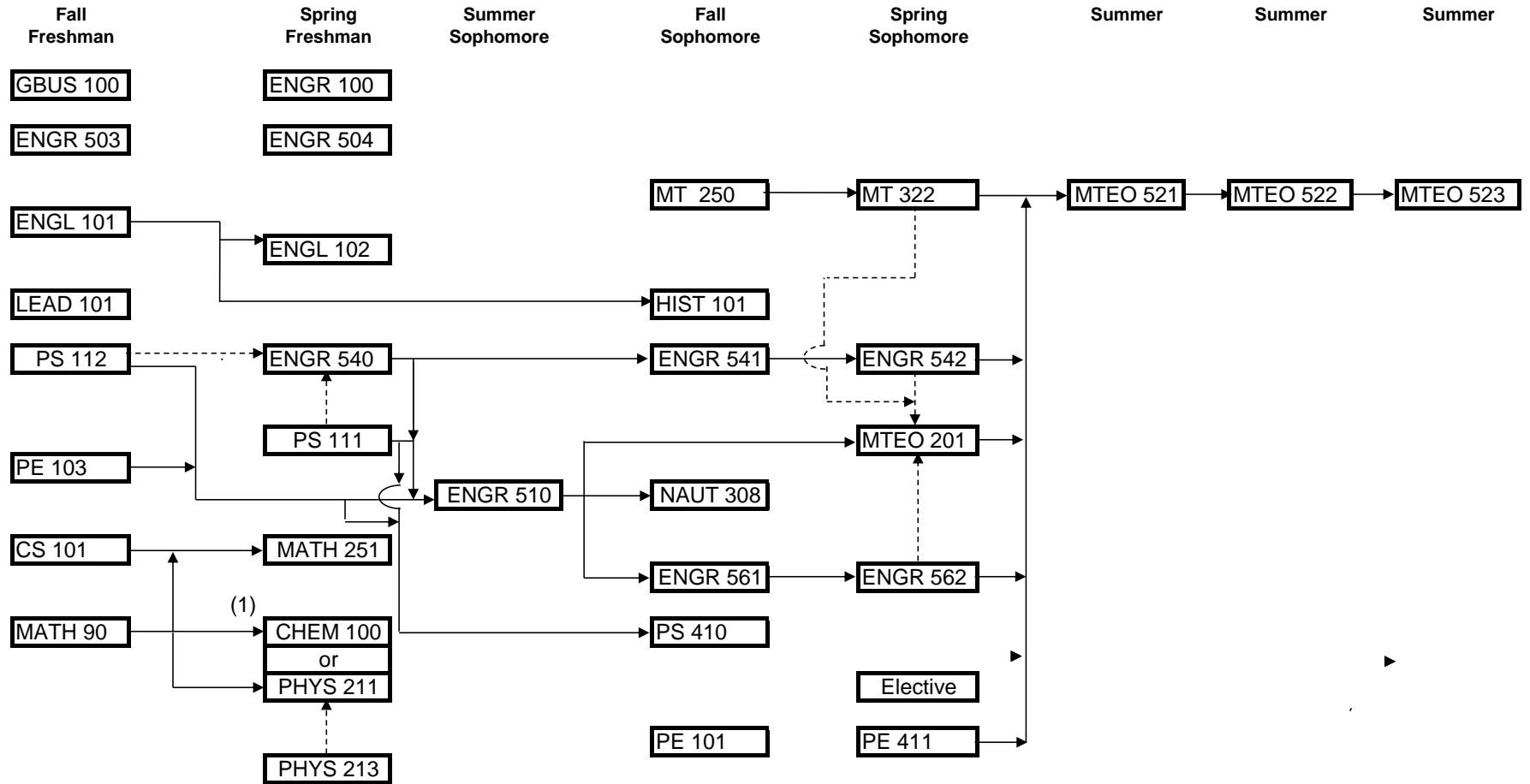
Edited 9/8/12



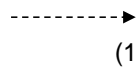
Notes: * Students will meet with advisor to replace one of these courses by GBTT 465.

Marine Technology: Assistant Engineer Limited License Curriculum Flow Chart for Class of 2013

Edited 8/5/12



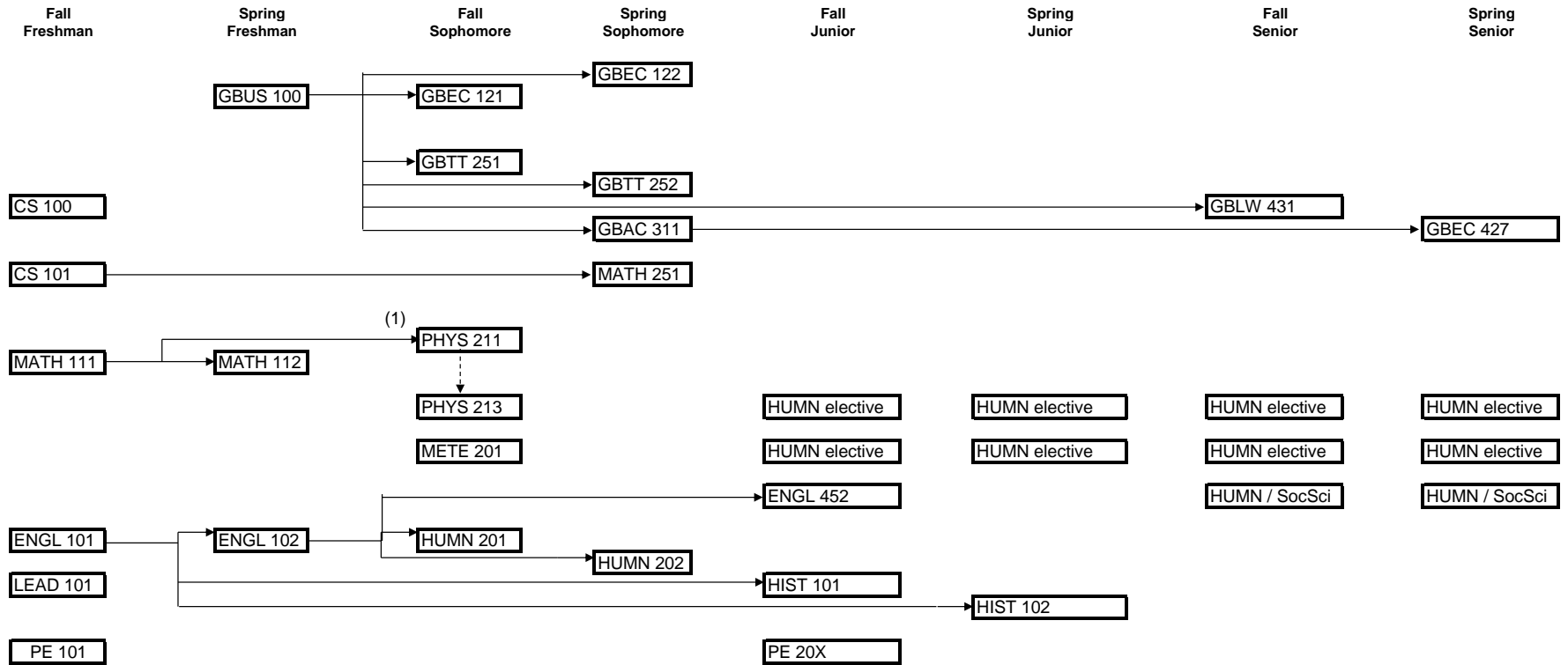
Notes



-----> Indicates co-requisite where the course, at the end without an arrow point, is a co-requisite with the course which the arrow points to.
 (1) Prerequisite for CHEM 100 is MATH 80

Marine Business & Commerce Humanities Minor Deck License Curriculum Flow Chart for Class of 2015

Edited 8/5/12



Notes:

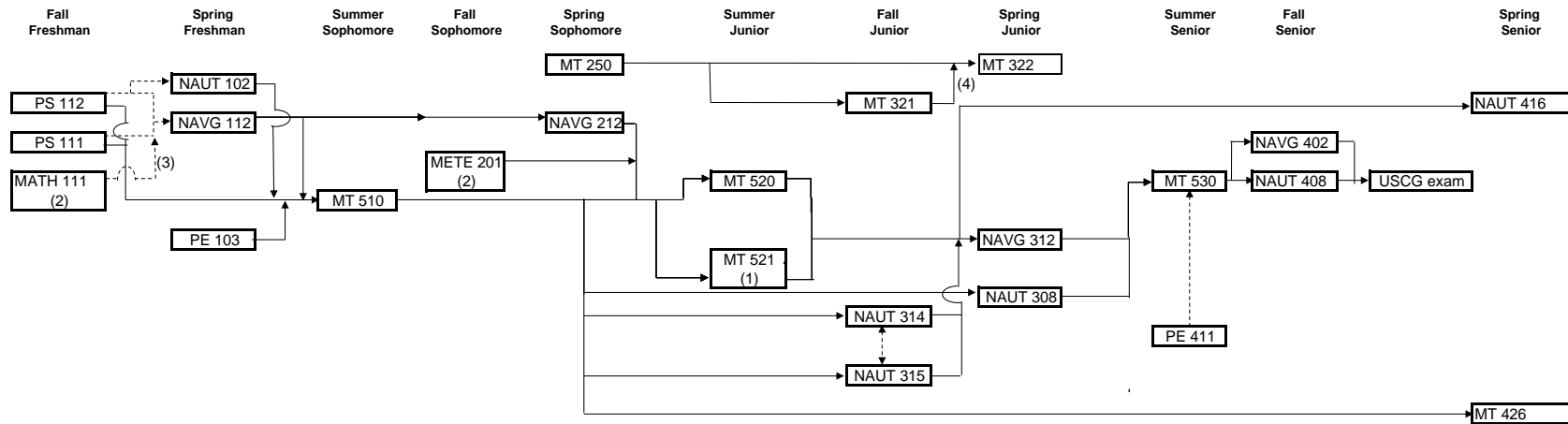
----->
(1)

USCG Deck License Students must also take License courses as shown on the Marine Business & Commerce USCG Deck License Flow sheet.
Indicates co-requisite where the course, at the end without an arrow point, is a co-requisite with the course which the arrow points to.
Prerequisite is MATH 90.

USCG Deck License Course Flow

Marine Business & Commerce USCG Deck License Curriculum Flow Chart for Class of 2015

Edited 8/5/12

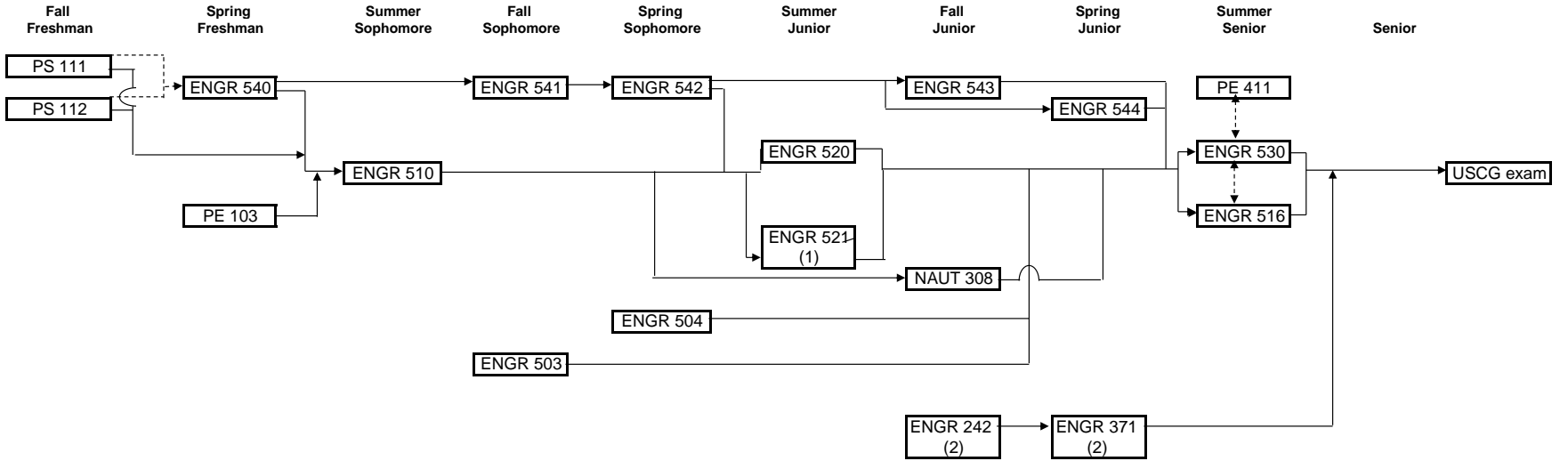


Notes

- (1) MT 521 (Cadet Observer) in lieu of MT 520.
-----> Indicates co-requisite where the course, at the end without an arrow point, is a co-requisite with the course which the arrow points to.
- (2) Also listed on Marine Business & Commerce Humanities Minor Deck Course flow chart.
- (3) Corequisite is MATH 90.
- (4) Prerequisite for MT 322 is MT 250 or MT 321

Marine Operations Engine USCG License Flow Chart for Class of 2015

Edited 8/4/12



Notes

(1) ENGR 521 (Cadet Observer) in lieu of ENGR 520.

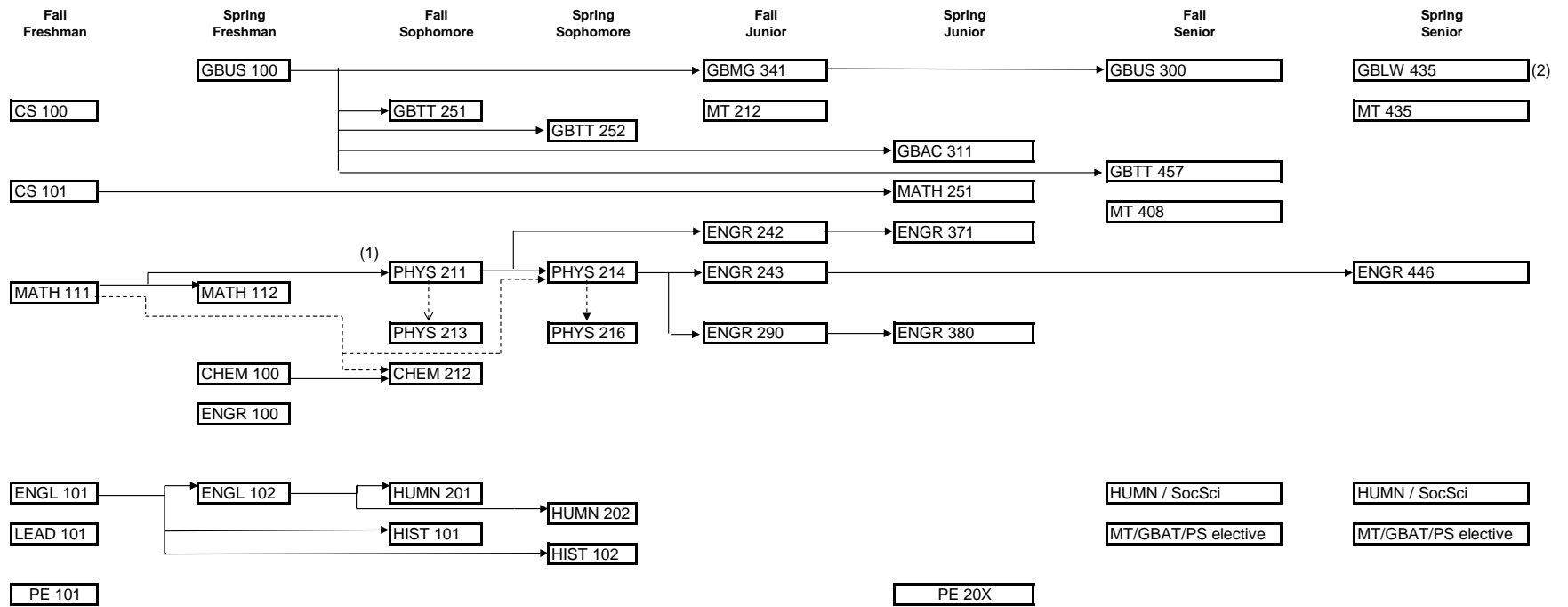
(2) Also listed on Marine Operations Engineering Curriculum flow chart.



Indicates co-requisite where the course, at the end without an arrow point, is a co-requisite with the course which the arrow points to.

Marine Operations Engine License Curriculum Flow Chart for Class of 2015

Edited 8/4/12



Notes:

----->

USCG Deck License students must also take License courses as shown on the "Marine Operations Engine USCG License Flow Chart" Flow sheet. Indicates co-requisite where the course, at the end without an arrow point, is a co-requisite with the course which the arrow points to.

(1)

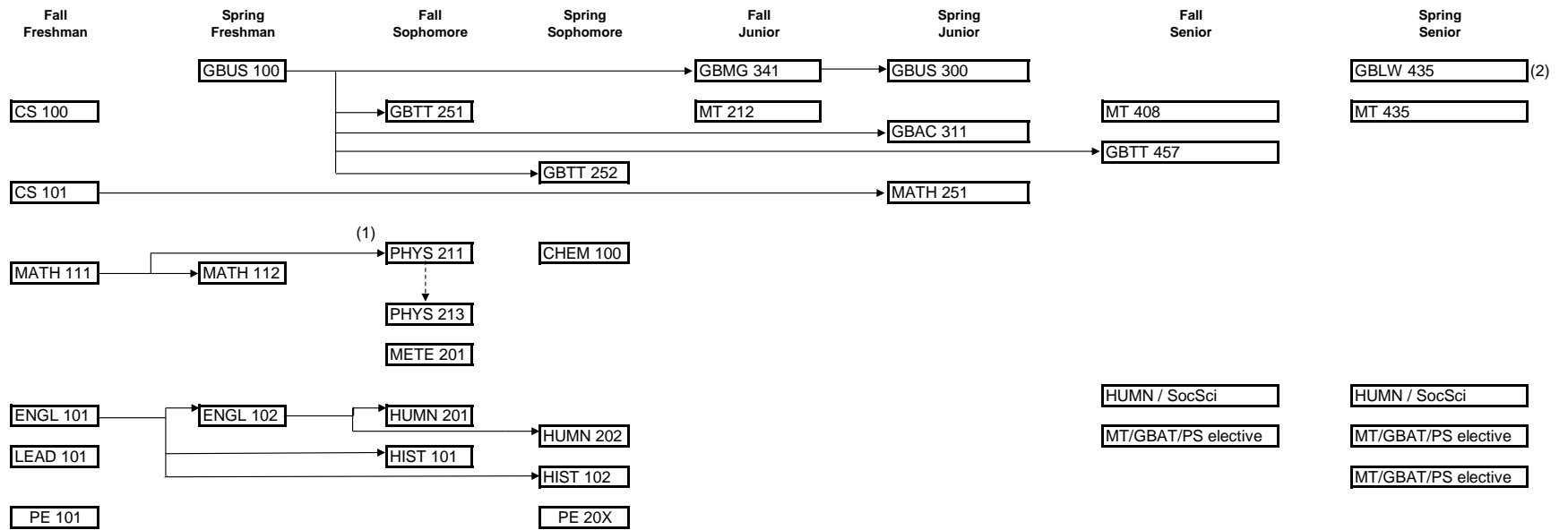
Prerequisite is MATH 90.

(2)

Prerequisite is Second Class standing.

Marine Operations Deck License Curriculum Flow Chart for Class of 2015

Edited 8/4/12

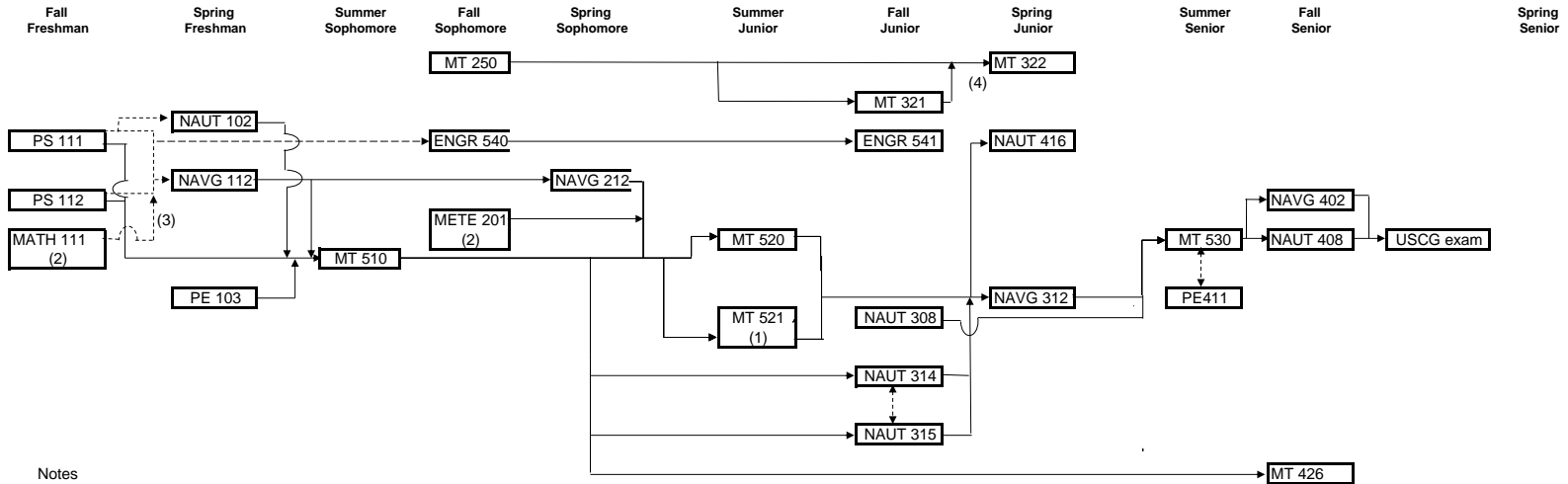


Notes:

- > USCG Deck License students must also take License courses as shown on the "Marine Operations USCG Deck License Curriculum" Flow Chart. Indicates co-requisite where the course, at the end without an arrow point, is a co-requisite with the course which the arrow points to.
- (1) Prerequisite is MATH 90.
- (2) Prerequisite is Second Class standing.

Marine Operations USCG Deck License Curriculum Flow Chart for Class of 2015

Edited 8/4/12

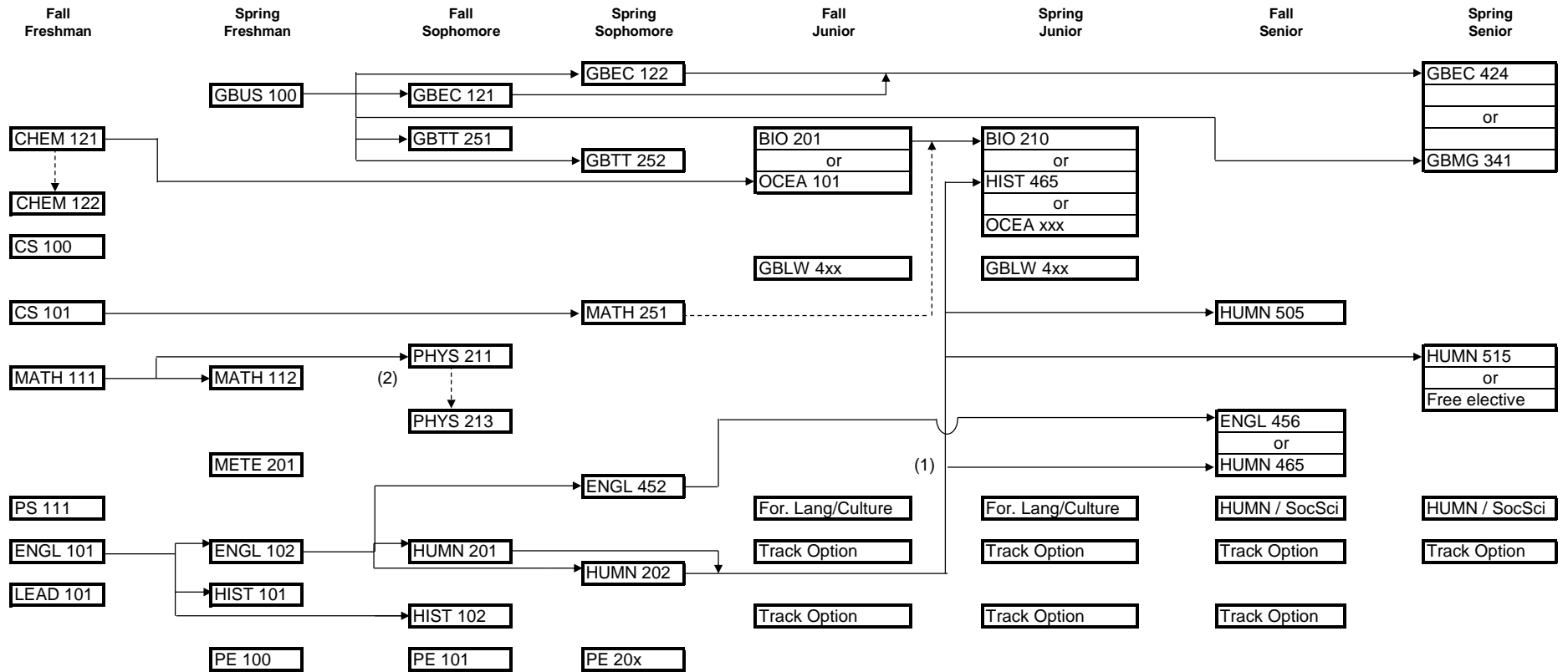


Notes

- (1) MT 521 (Cadet Observer) in lieu of MT 520.
- > Indicates co-requisite where the course, at the end without an arrow point, is a co-requisite with the course which the arrow points to.
- (2) Also listed on Marine Operations Deck License Curriculum flow chart.
- (3) Corequisite is MATH 90.
- (4) Prerequisite for MT 322 is MT 250 or MT 321

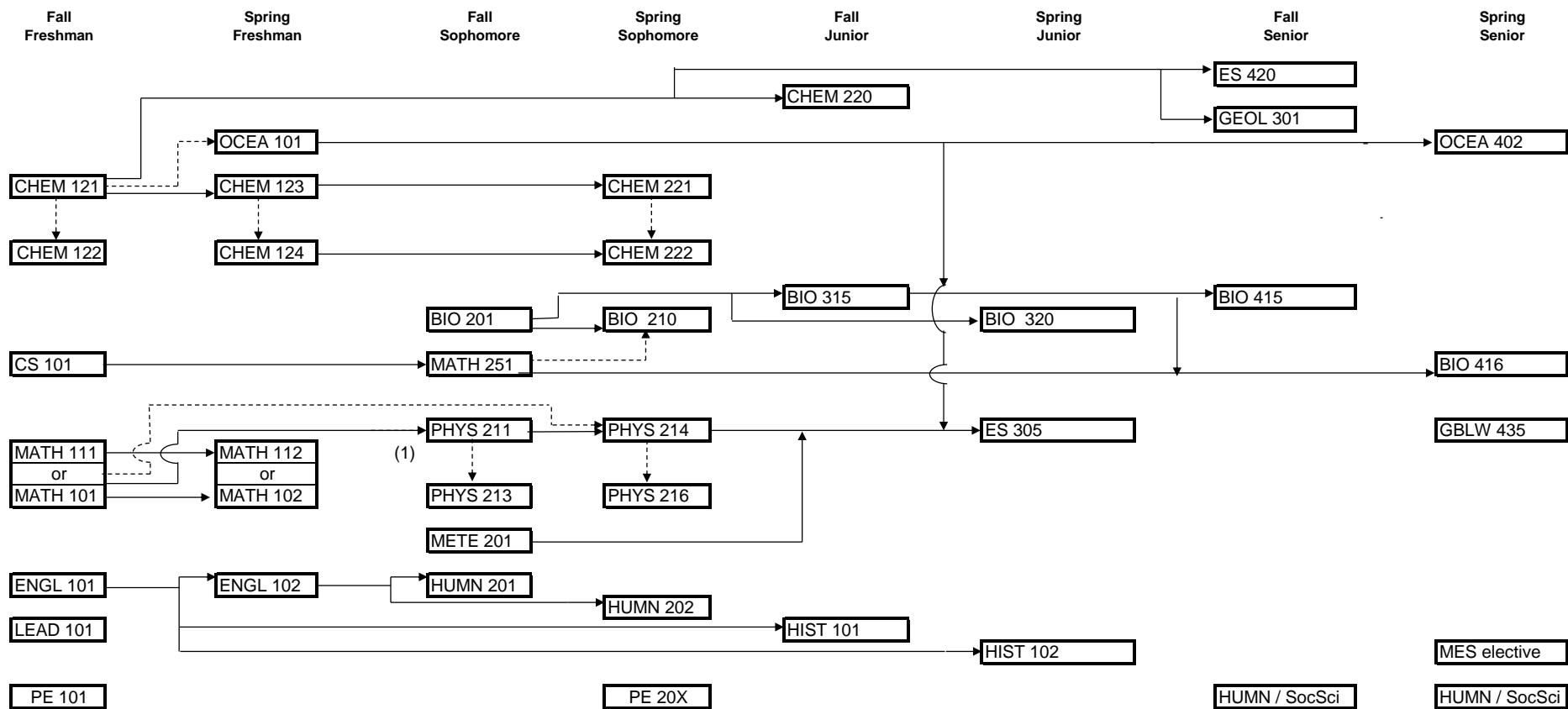
Maritime Studies - Intern Curriculum Flow Chart for Class of 2015

Edited 8/5/12

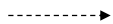


MES Marine Biology Deck License Curriculum Flow Chart for Class of 2015

Edited 8/5/12



Notes:

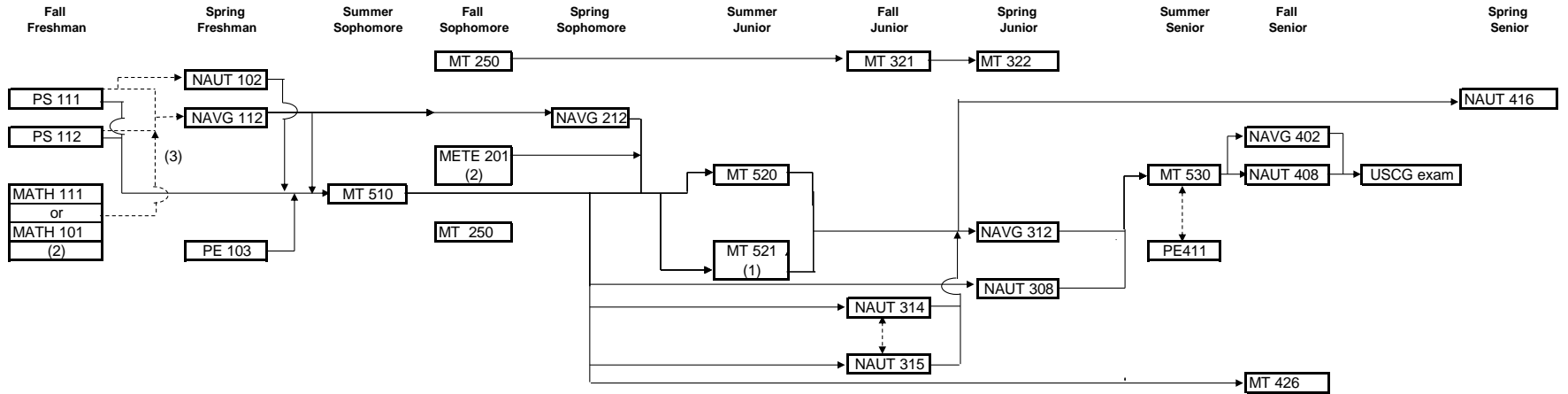


USCG Deck License Students must also take License courses as shown on the "MES Marine Biology USCG Deck License Curriculum Flow Chart" sheet. Indicates co-requisite where the course, at the end without an arrow point, is a co-requisite with the course which the arrow points to.

USCG Deck License Course Flow

MES Marine Biology USCG Deck License Curriculum Flow Chart for Class of 2015

Edited 8/4/12

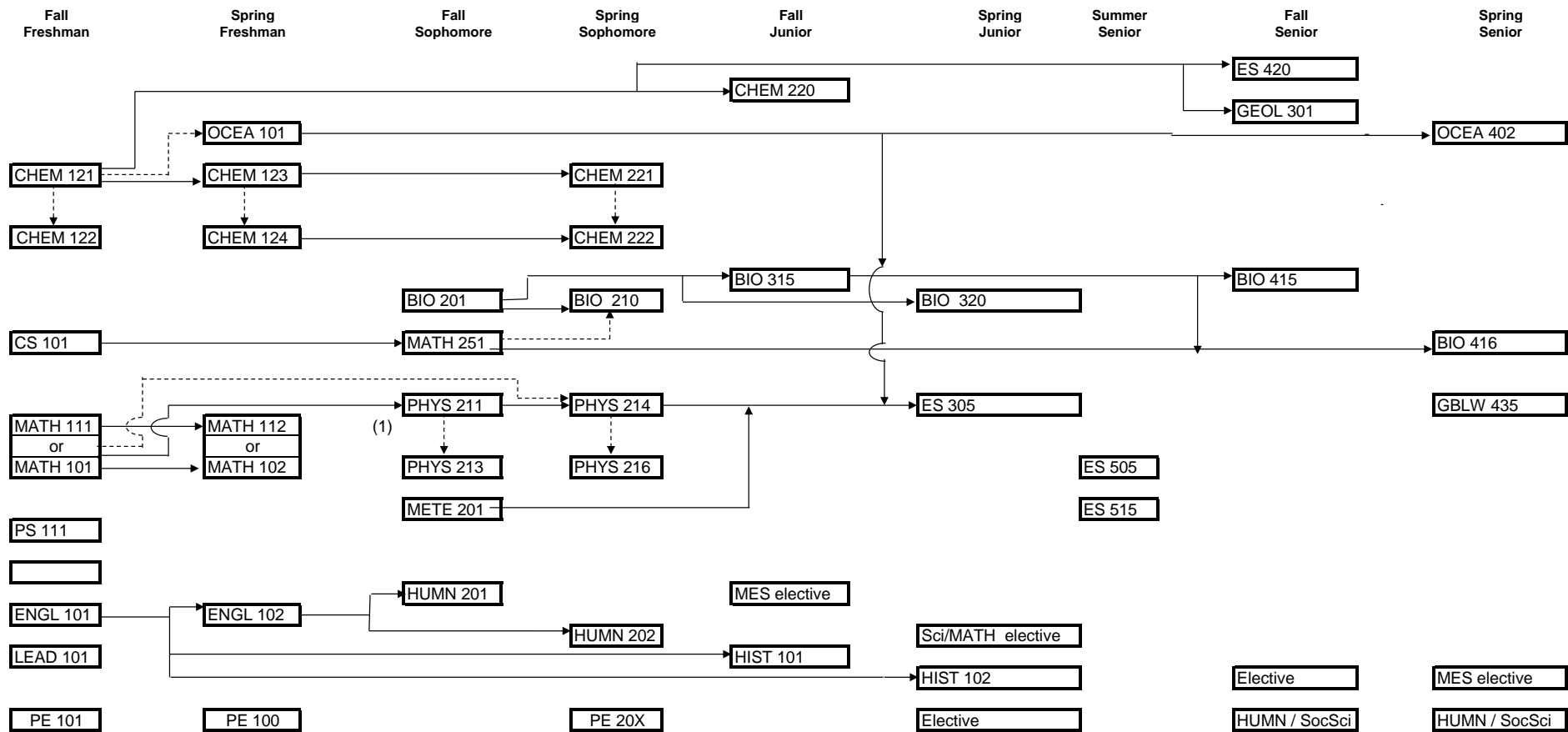


Notes

- (1) MT 521 (Cadet Observer) in lieu of MT 520.
- > (2) Indicates co-requisite where the course, at the end without an arrow point, is a co-requisite with the course which the arrow points to. Also listed on MES Marine Biology Deck Curriculum flow chart.
- (3) Co-requisite is MATH 90.

MES Marine Biology Intern Curriculum Flow Chart for Class of 2015

Edited 8/5/12

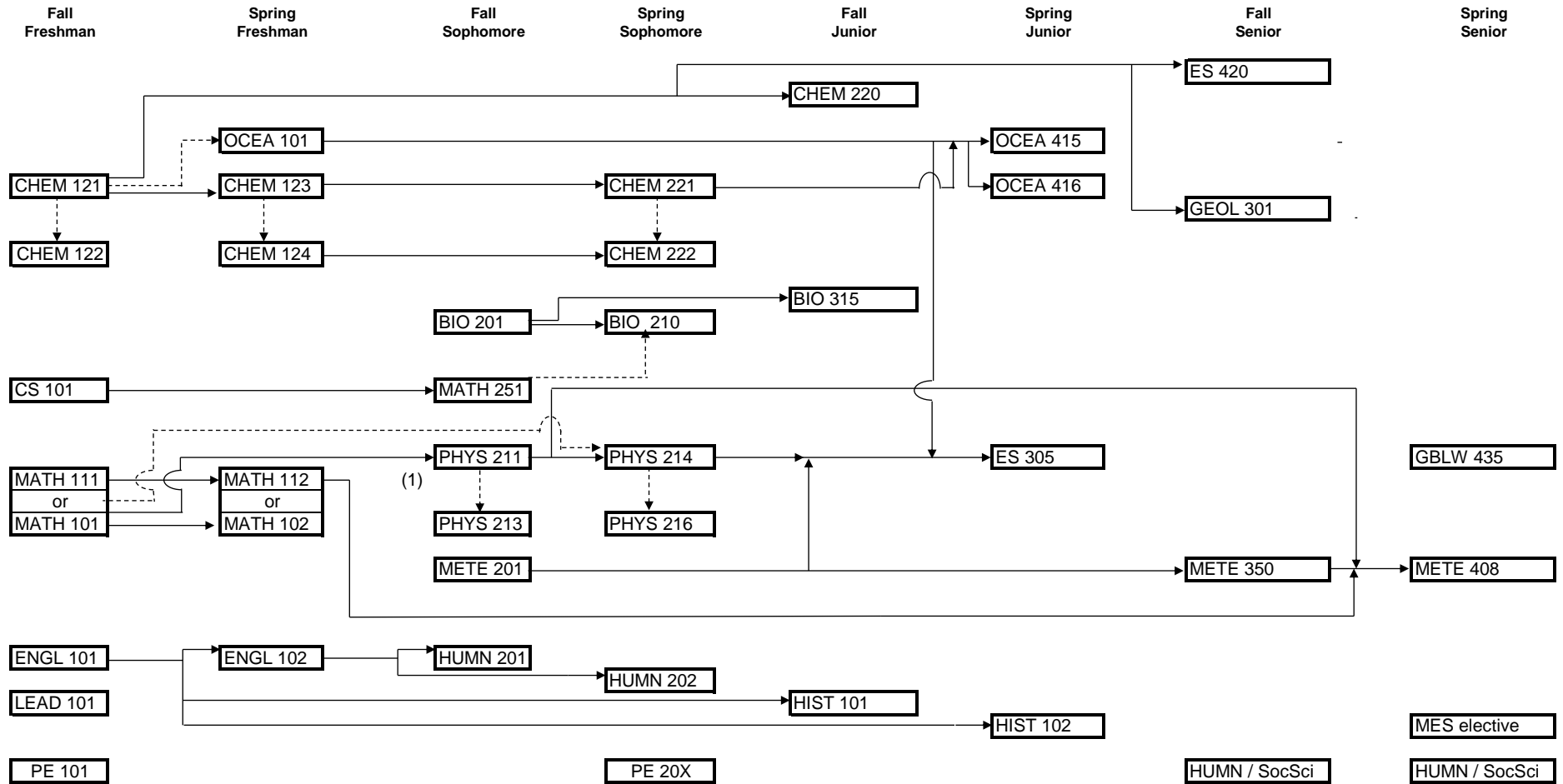


Notes:

-----> Indicates co-requisite where the course, at the end without an arrow point, is a co-requisite with the course which the arrow points to.

MES M&O USCG DECK Curriculum Flow Chart for Class of 2015

Edited 8/5/12



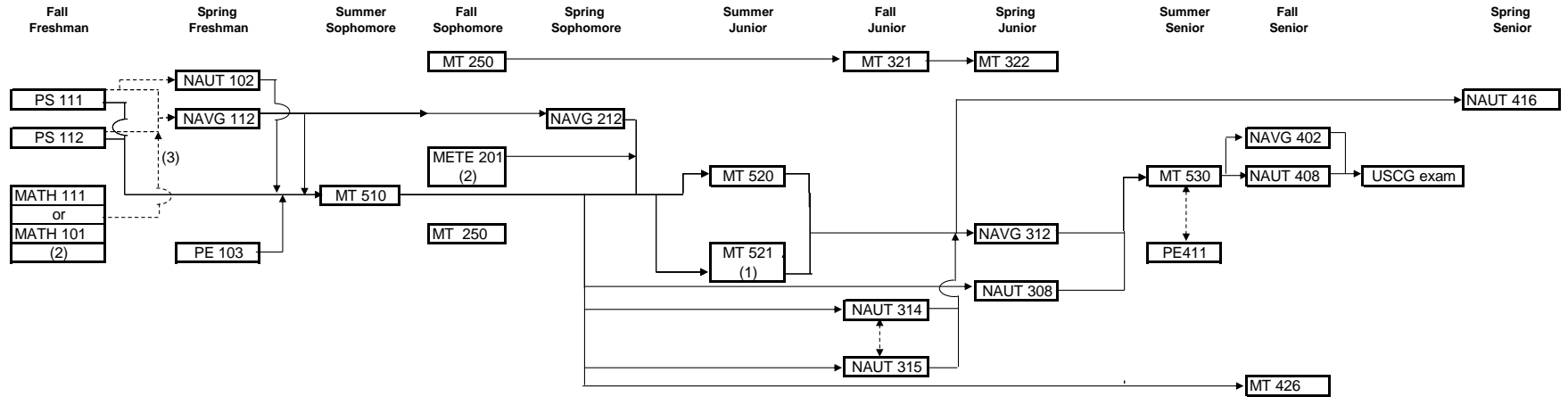
Notes:



USCG Deck License Students must also take License courses as shown on the "MES M&O Deck License Curriculum Flow Chart ". Indicates co-requisite where the course, at the end without an arrow point, is a co-requisite with the course which the arrow points to.

USCG Deck License Course Flow
MES M&O Deck License Curriculum Flow Chart for Class of 2015

Edited 8/4/12

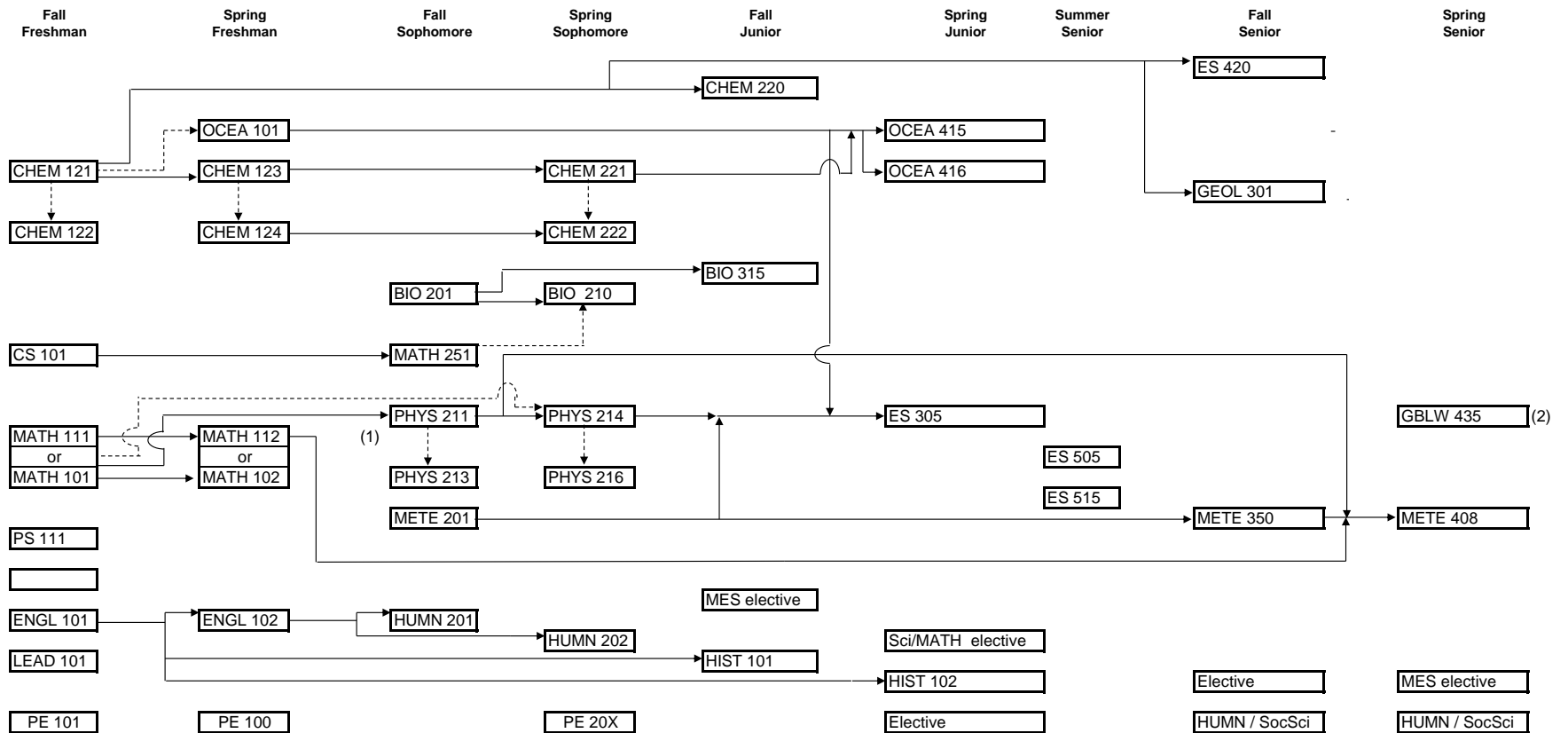


Notes

- (1) MT 521 (Cadet Observer) in lieu of MT 520.
- > Indicates co-requisite where the course, at the end without an arrow point, is a co-requisite with the course which the arrow points to.
- (2) Also listed on MES M&O Deck Course flow chart.
- (3) Corequisite is MATH 90.

MES M&O Intern Curriculum Flow Chart for Class of 2015

Edited 8/5/12

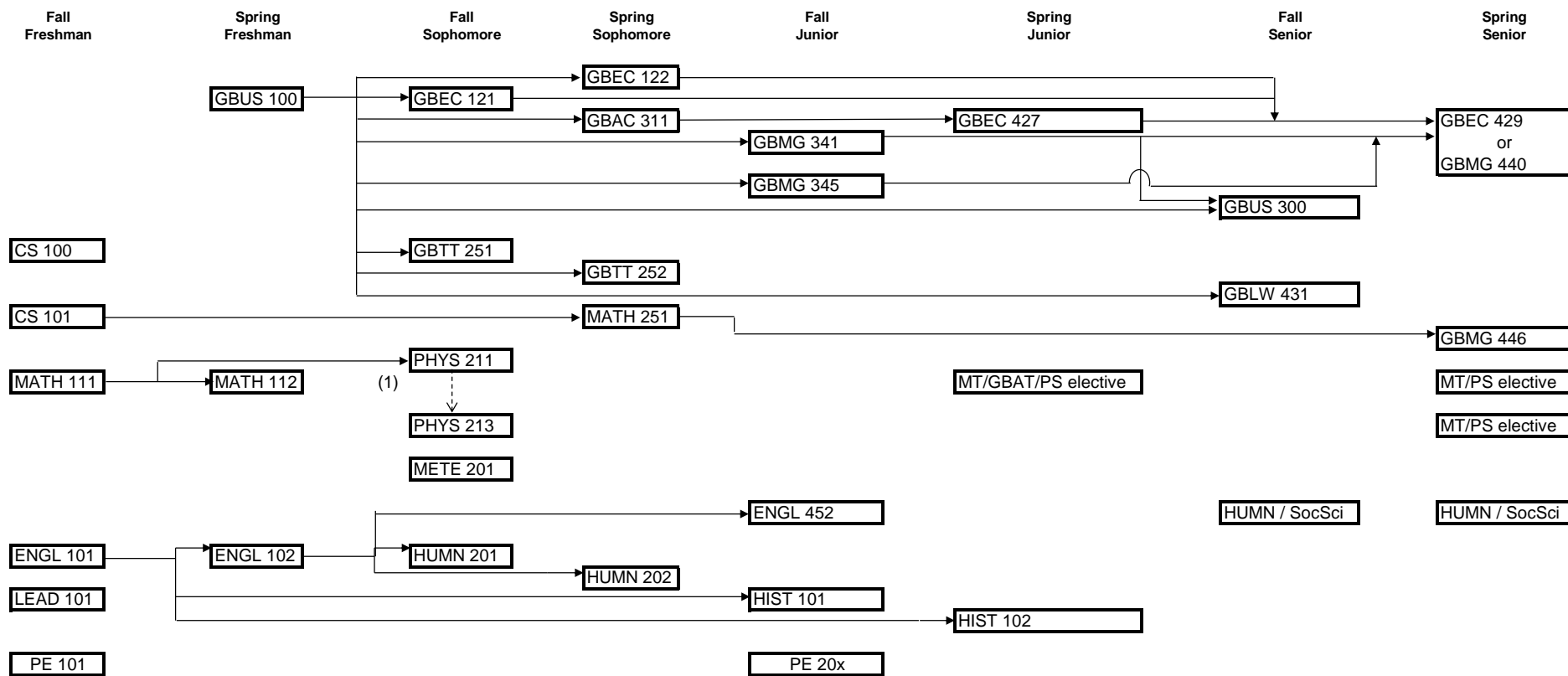


Notes:

- > Indicates co-requisite where the course, at the end without an arrow point, is a co-requisite with the course which the arrow points to.
- (1) Prerequisite is MATH 90.
- (2) Prerequisite is Junior standing.

Marine Transportation Deck License Curriculum Flow Chart for Class of 2015

Edited 9/8/12



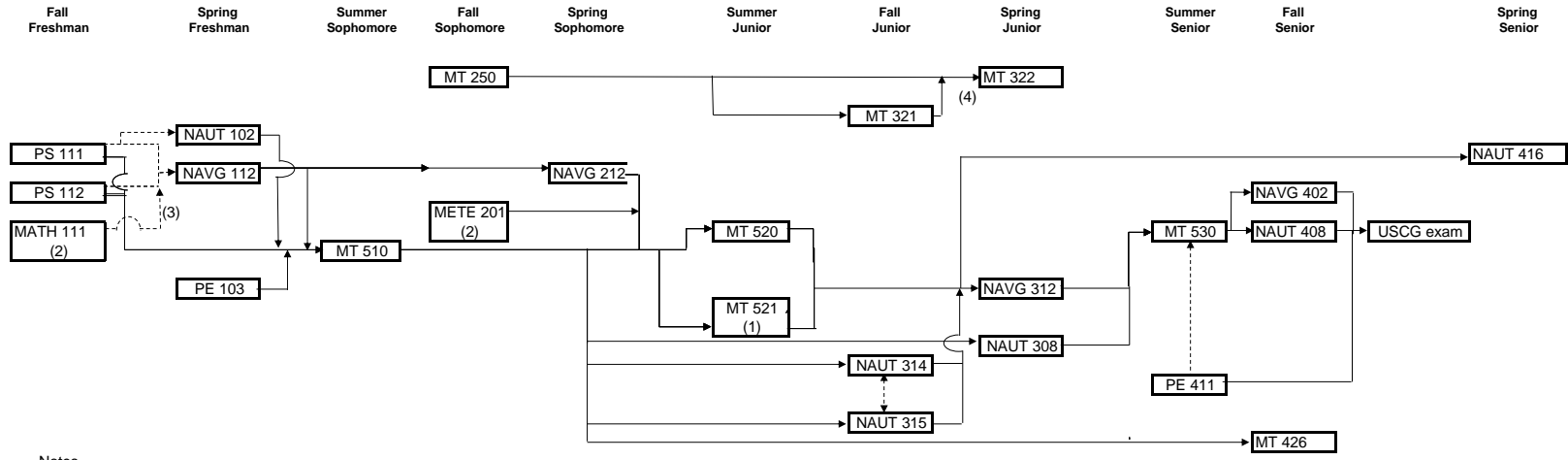
Notes:



USCG Deck License Students must also take License courses as shown on the Marine Business & Commerce USCG Deck License Flow sheet. Indicates co-requisite where the course, at the end without an arrow point, is a co-requisite with the course which the arrow points to.

USCG Deck License Course Flow
MT USCG Deck License Flow Chart for Class of 2015

Edited 8/5/12

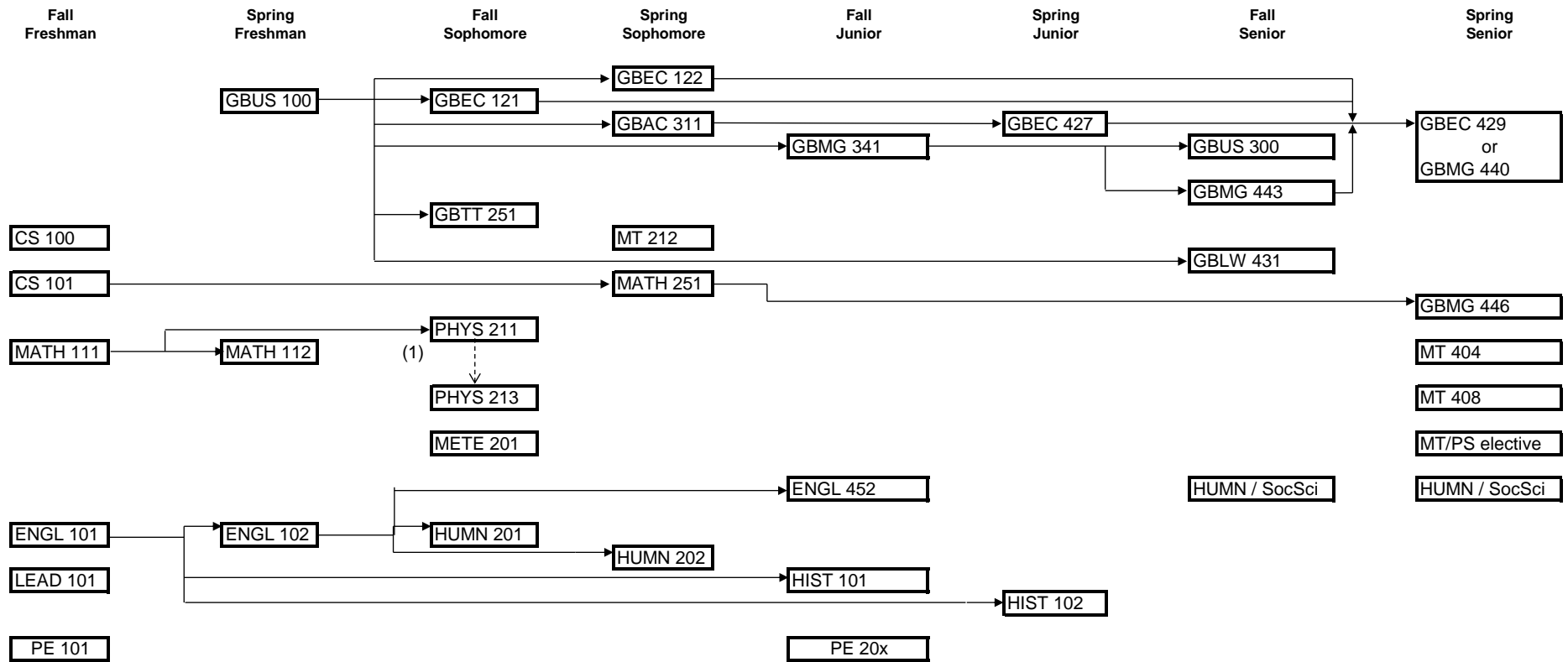


Notes

- (1) MT 521 (Cadet Observer) in lieu of MT 520.
 -----> Indicates co-requisite where the course, at the end without an arrow point, is a co-requisite with the course which the arrow points to.
- (2) Also listed on MT Deck Course flow chart.
- (3) Corequisite is MATH 90.
- (4) Prerequisite for MT 322 is MT 250 or MT 321

Marine Transportation Deck License Ship Management Minor Curriculum Flow Chart for Class of 2015

Edited 8/5/12



Notes:

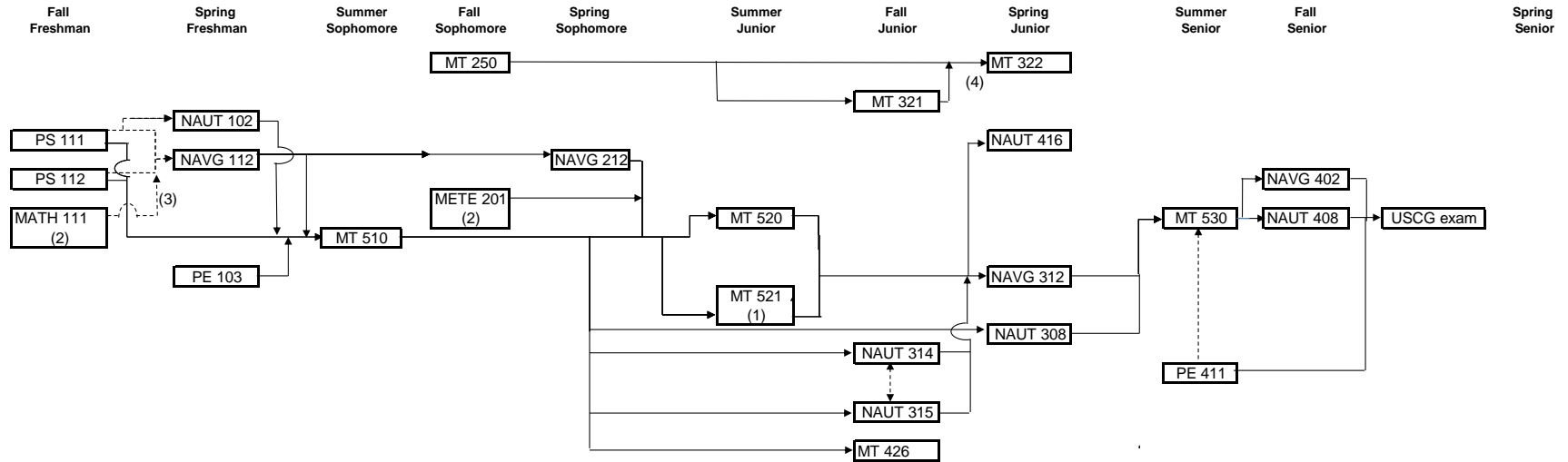
----->
(1)

USCG Deck License Students must also take License courses as shown on the Marine Business & Commerce USCG Deck License Flow sheet. Indicates co-requisite where the course, at the end without an arrow point, is a co-requisite with the course which the arrow points to. Prerequisite is MATH 90.

USCG Deck License Course Flow

MT USCG Deck License Ship Management Minor Flow Chart for Class of 2015

Edited 8/5/12

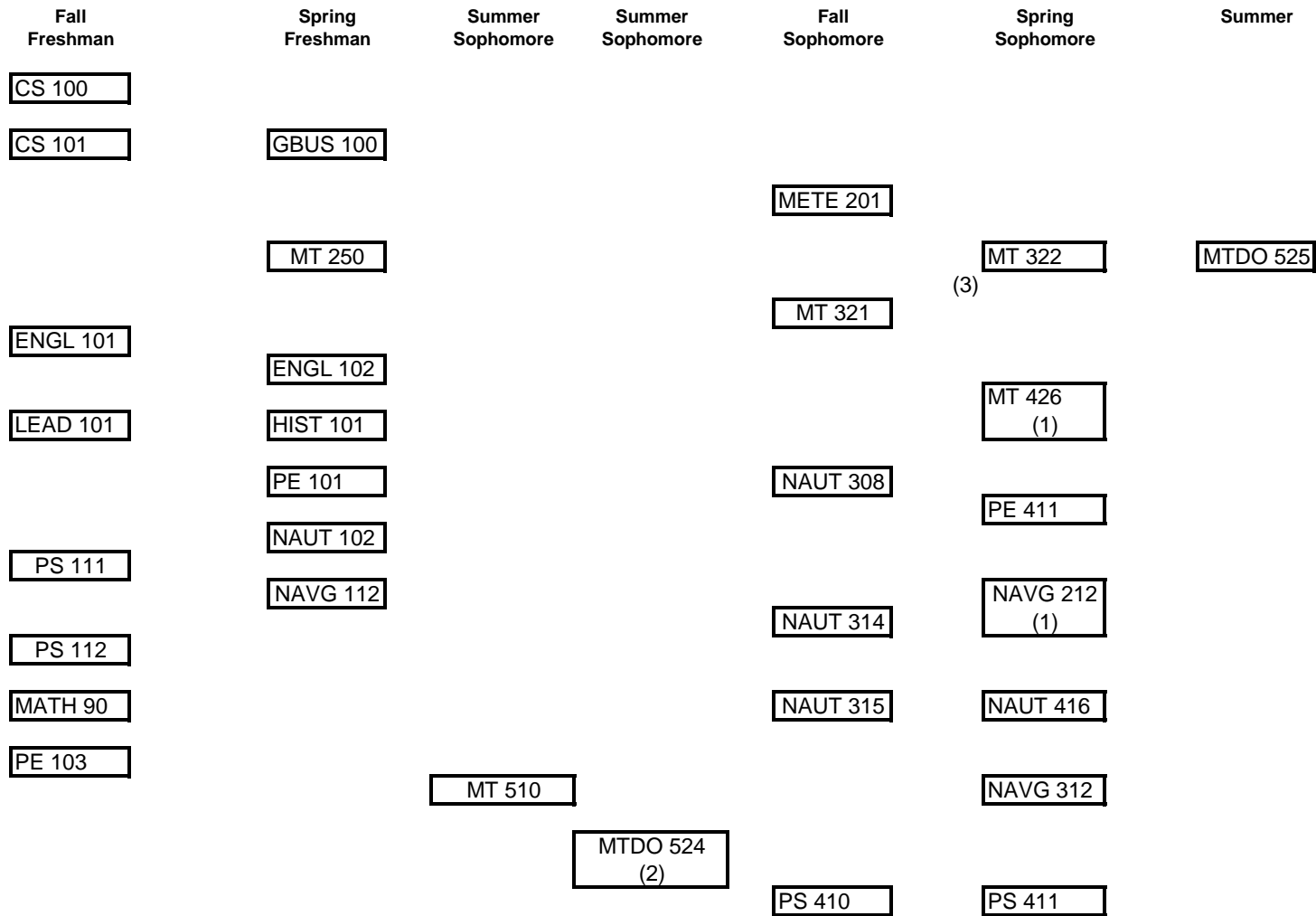


Notes

- (1) MT 521 (Cadet Observer) in lieu of MT 520.
- > Indicates co-requisite where the course, at the end without an arrow point, is a co-requisite with the course which the arrow points to.
- (2) Also listed on MT Deck License Ship Management Minor Course flow chart.
- (3) Corequisite is MATH 90.
- (4) Prerequisite for MT 322 is MT 250 or MT 321

Marine Technology: Small Vessel Operations Curriculum Flow Chart for Class of 2013

Edited 8/5/12



Notes

- (1) Ocean Endorsement Option
- (2) MT 520 Summer Sea Term II may be substituted for MTDO 524. Note that MT 520 has prerequisites of MT 510, METE 201, NAVG 212.
- (3) Prerequisite for MT 322 is MT 250 or MT 321