

2012-2013

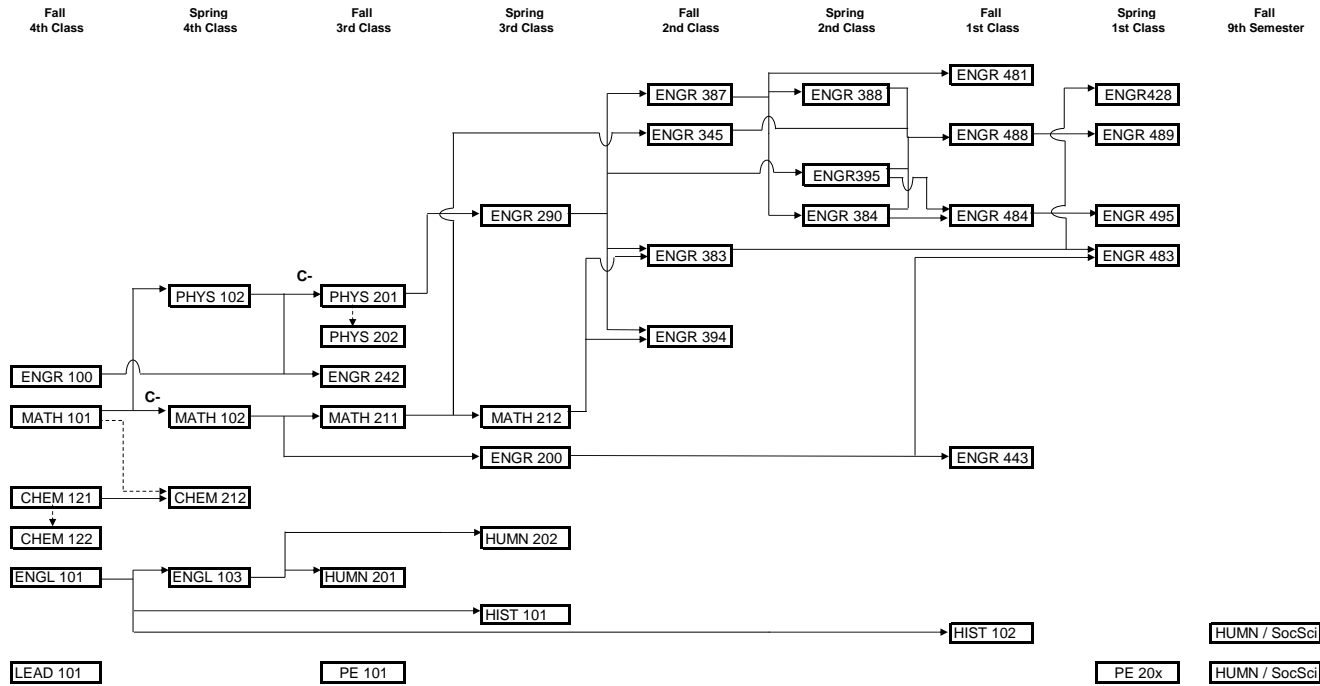
Degree Curricula

Flow Charts



## B.E. Electrical Engineering - Deck License for 2016 Graduates

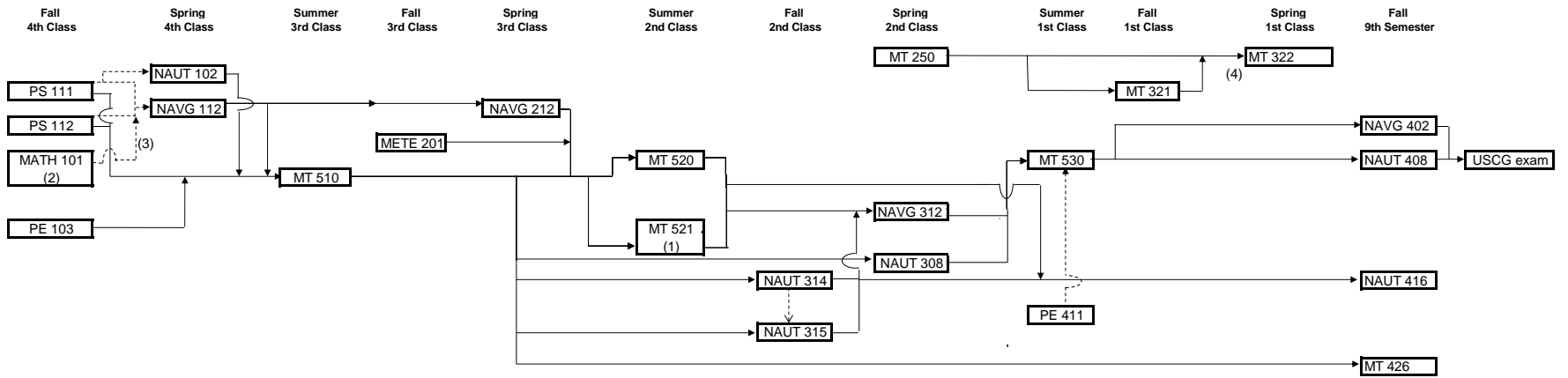
Edited 8/5/12



- Note: USCG Deck License Students must also take License courses as shown on the "USCG Deck License Courses for B.E. in Electrical Engineering" Flow sheet.
- > Indicates co-requisite where the course, at the end without an arrow point, is a co-requisite with the course which the arrow points to.
  - C- Students must have a minimum grade of C- in MATH 101 as a pre-requisite for MATH 102.
  - C- Students must have a minimum grade of C- in PHYS 102 as a pre-requisite for PHYS 201.

## USCG Deck License Courses for B.E. in Electrical Engineering for 2016 Graduates

Edited 11/04/12

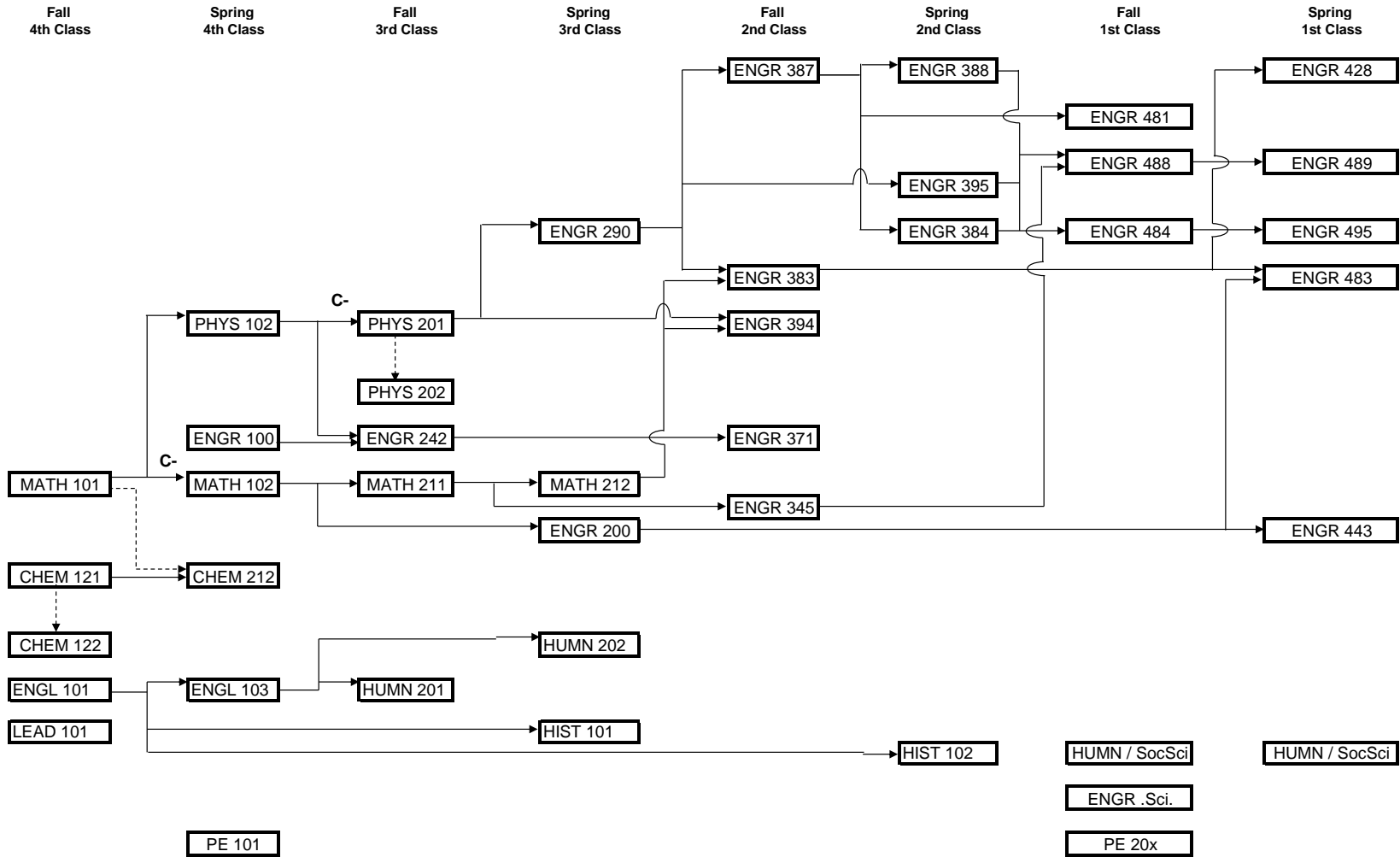


**Notes**

- (1) MT 521 (Cadet Observer) in lieu of MT 520.
- Indicates co-requisite where the course, at the end without an arrow point, is a co-requisite with the course which the arrow points to.
- (2) Also listed on Marine Electrical and Electronic Deck Curriculum flow chart.
- (3) Corequisite is MATH 90.
- (4) Prerequisite for MT 322 is MT 250 or MT 321

## B.E. Electrical Engineering - Engine License for 2016 Graduates

Edited 11/20/12



Note: USCg Engine License Students must also take License courses as shown on the "USCG Engine License Courses for B.E. in Electrical Engineering" Flow sheet.

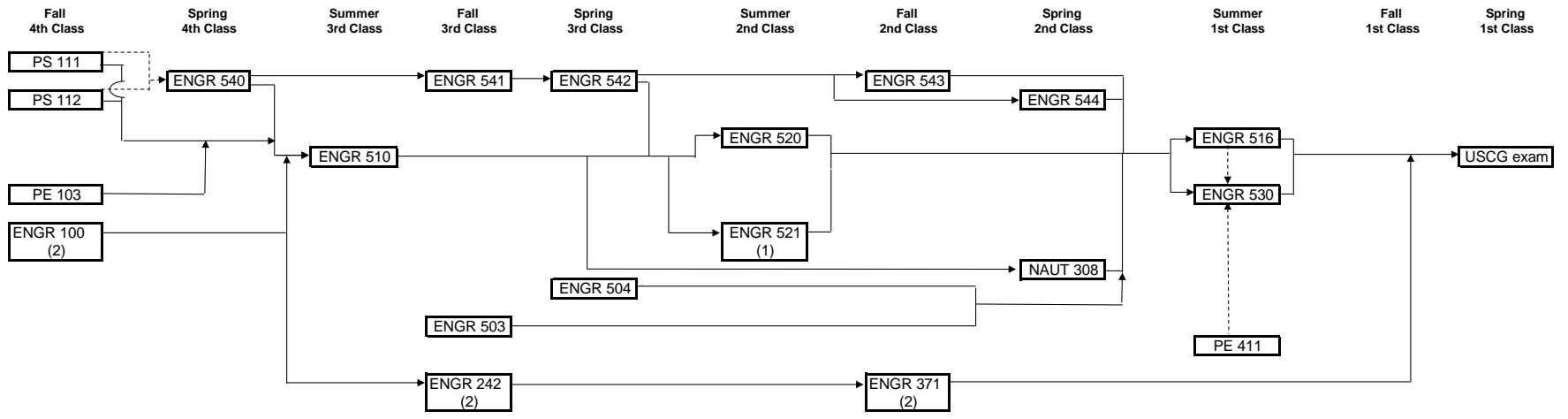
----- Indicates co-requisite where the course, at the end without an arrow point, is a co-requisite with the course which the arrow points to.

C- Students must have a minimum grade of C- in MATH 101 as a pre-requisite for MATH 102.

C- Students must have a minimum grade of C- in PHYS 102 as a pre-requisite for PHYS 201.

## USCG Engine License Courses for B.E. in Electrical Engineering for 2016 Graduates

Edited 8/5/12

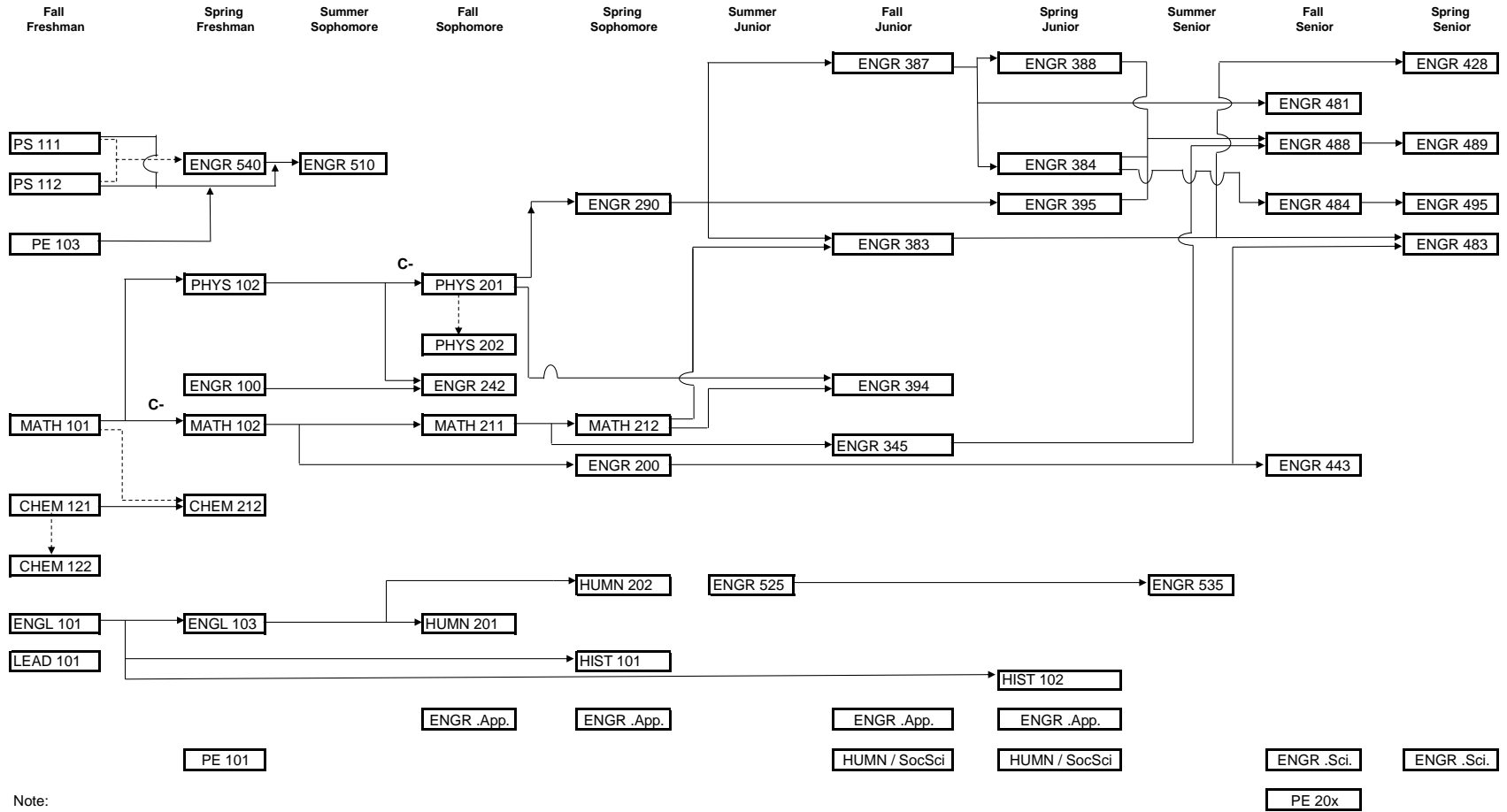


**Notes**

- (1) ENGR 521 (Cadet Observer) in lieu of ENGR 520.
  - (2) Also listed on Electrical Engineering Curriculum flow chart.
- > Indicates co-requisite where the course, at the end without an arrow point, is a co-requisite with the course which the arrow points to.

## B.E. Electrical Engineering - Intern Option for 2016 Graduates

Edited 11/20/12

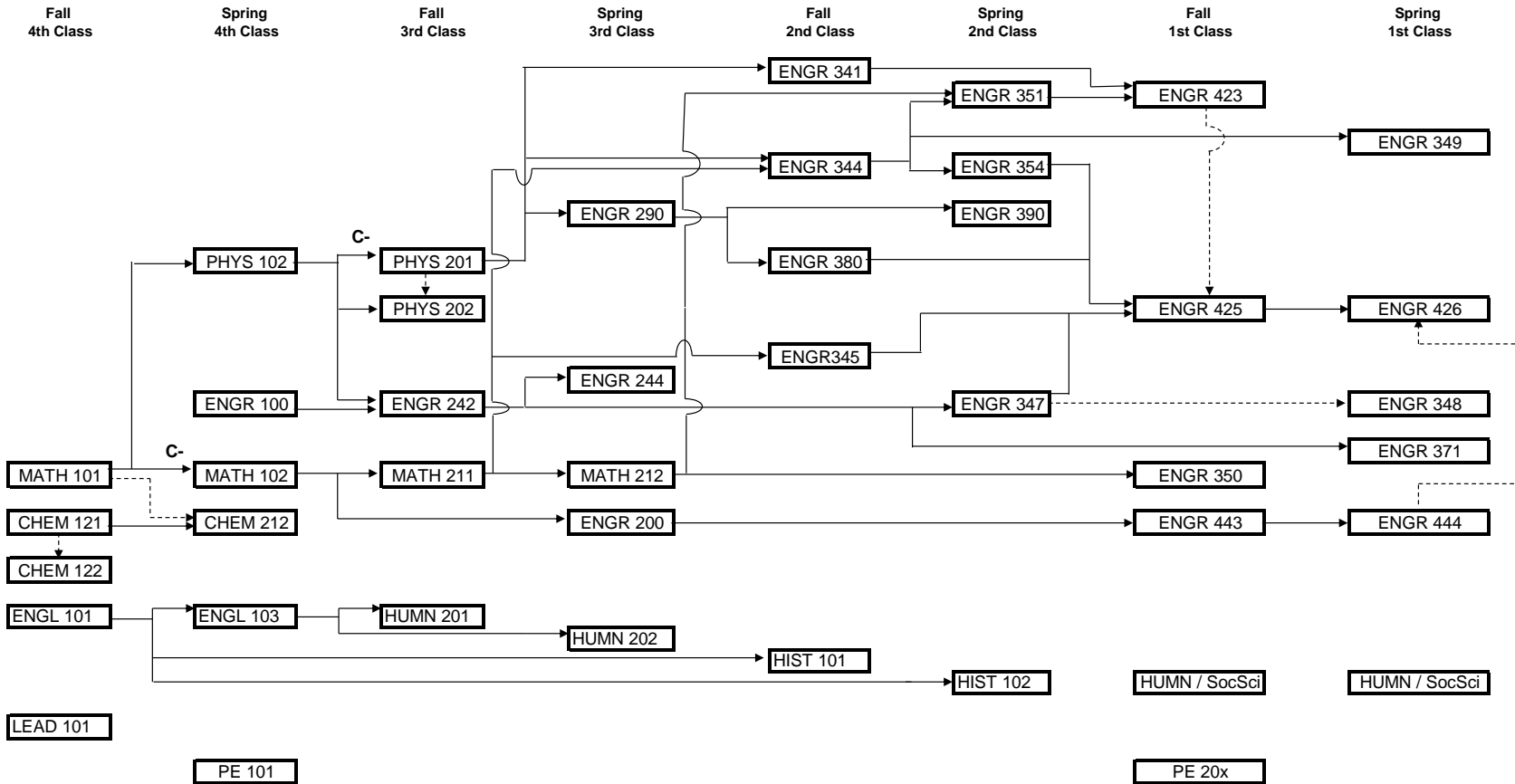


**Note:**

- > Indicates co-requisite where the course, at the end without an arrow point, is a co-requisite with the course which the arrow points to.
- C- Students must have a minimum grade of C- in MATH 101 as a pre-requisite for MATH 102.
- C- Students must have a minimum grade of C- in PHYS 102 as a pre-requisite for PHYS 201.

## B.E. Facilities Engineering - Engine License for 2016 Graduates

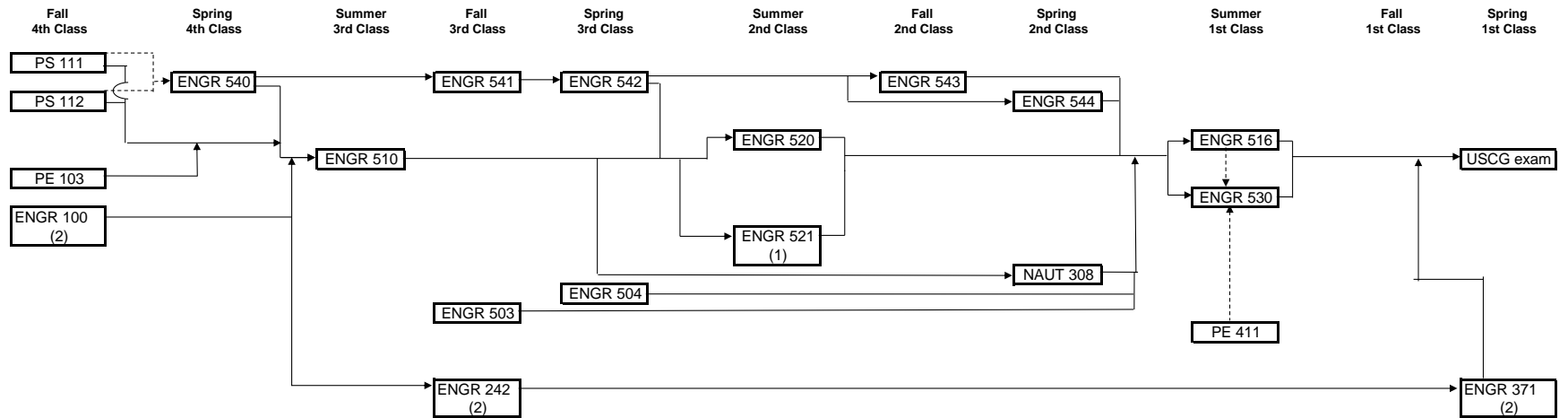
Edited 10/03/12



- Note: USCG Engine License Students must also take License courses as shown on the "USCG Engine License Courses for B.E. in Facilities Engineering" Flow sheet.
- > Indicates co-requisite where the course, at the end without an arrow point, is a co-requisite with the course which the arrow points to.
  - C- Students must have a minimum grade of C- in MATH 101 as a pre-requisite for MATH 102.
  - C- Students must have a minimum grade of C- in PHYS 102 as a pre-requisite for PHYS 201.

## USCG Engine License Courses for B.E. in Facilities Engineering for 2016 Graduates

Edited 8/5/12



**Notes**

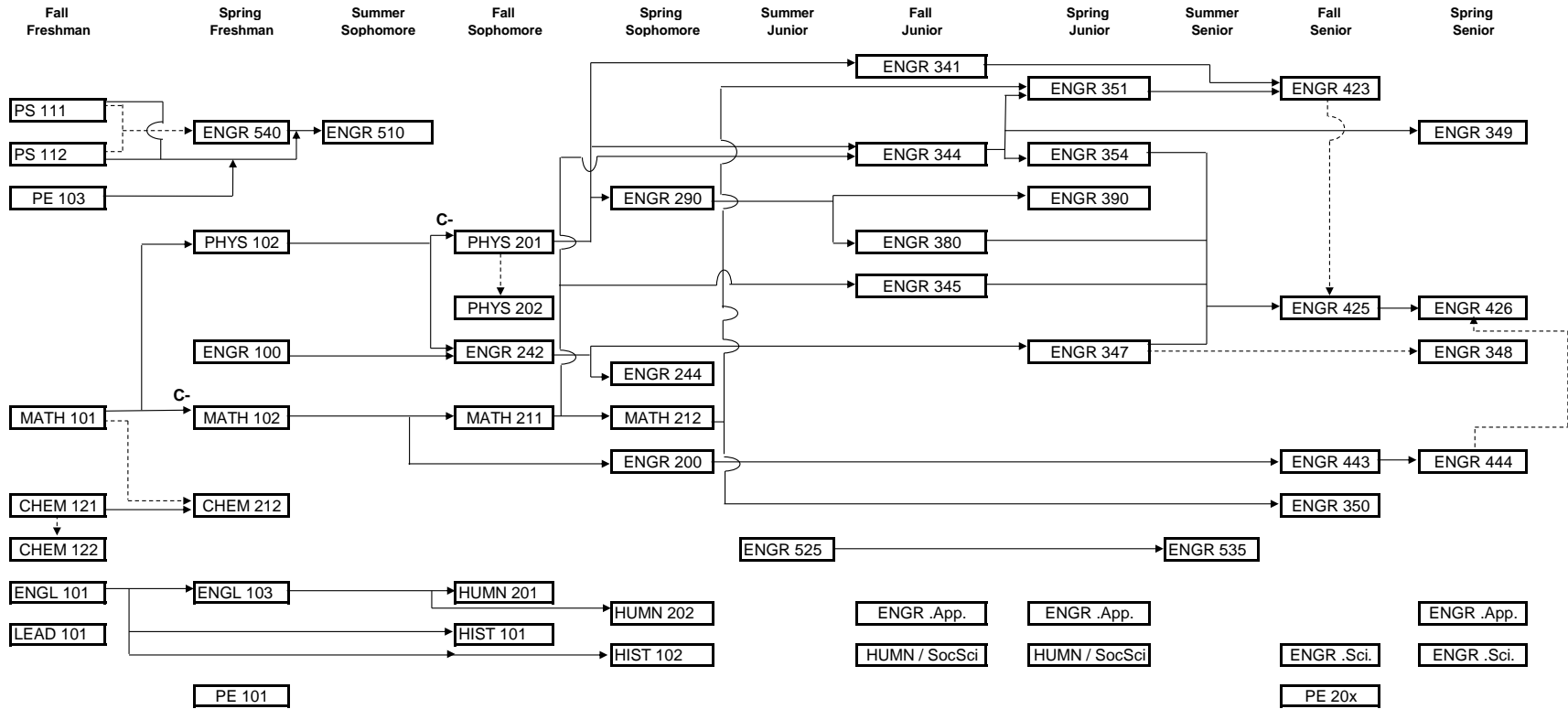
- (1) ENGR 521 (Cadet Observer) in lieu of ENGR 520.
- (2) Also listed on Facilities Engineering Curriculum flow chart.

-----> Indicates co-requisite where the course, at the end without an arrow point, is a co-requisite with the course which the arrow points to.



## B.E. Facilities Engineering - Intern Option for 2016 Graduates

Edited 11/04/12

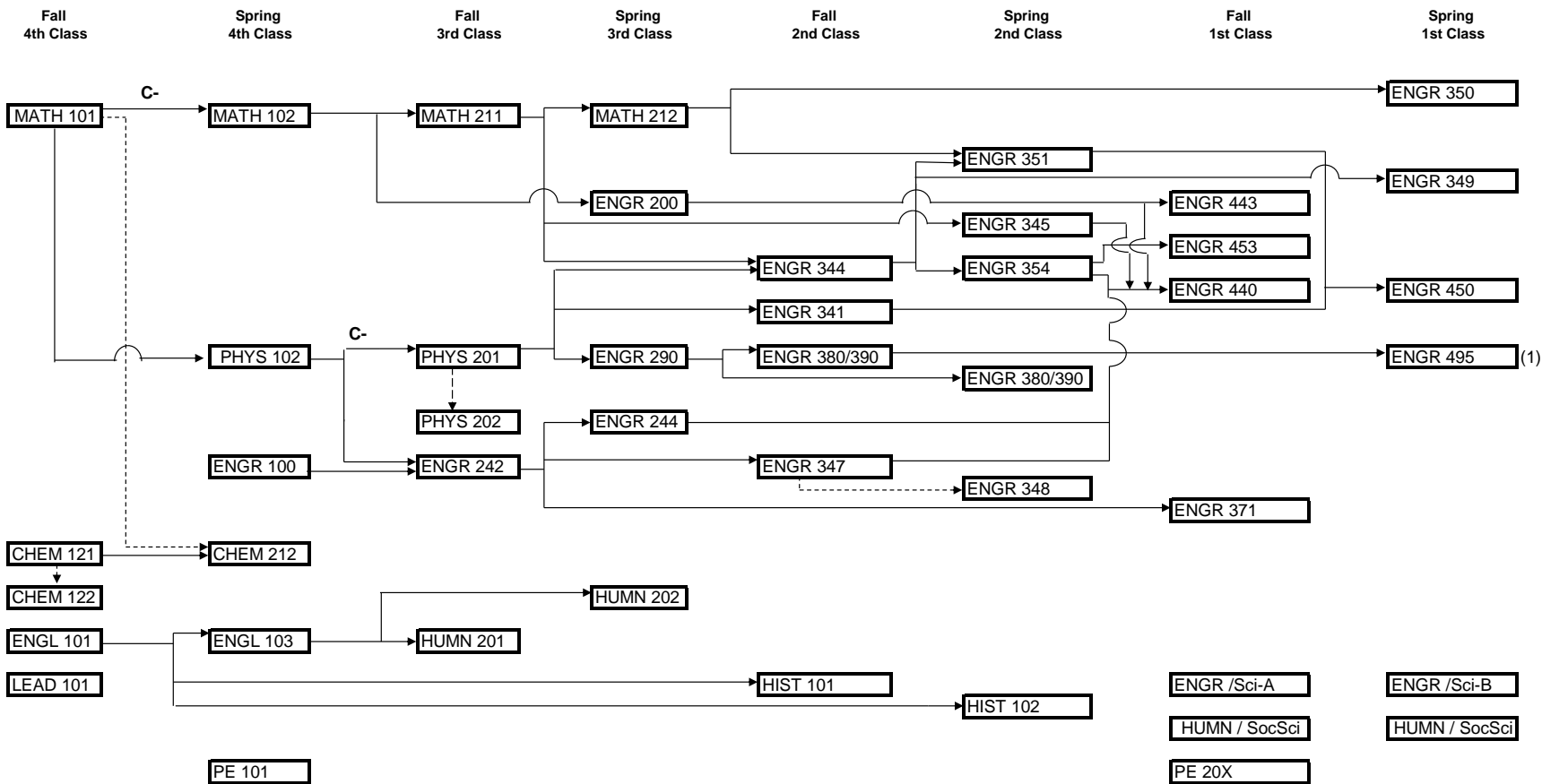


**Note:**

- > Indicates co-requisite where the course, at the end without an arrow point, is a co-requisite with the course which the arrow points to.
- C- Students must have a minimum grade of C- in MATH 101 as a pre-requisite for MATH 102.
- C- Students must have a minimum grade of C- in PHYS 102 as a pre-requisite for PHYS 201.

# B.E. Marine Engineering - Engine License for 2016 Graduates

Edited 8/2/12

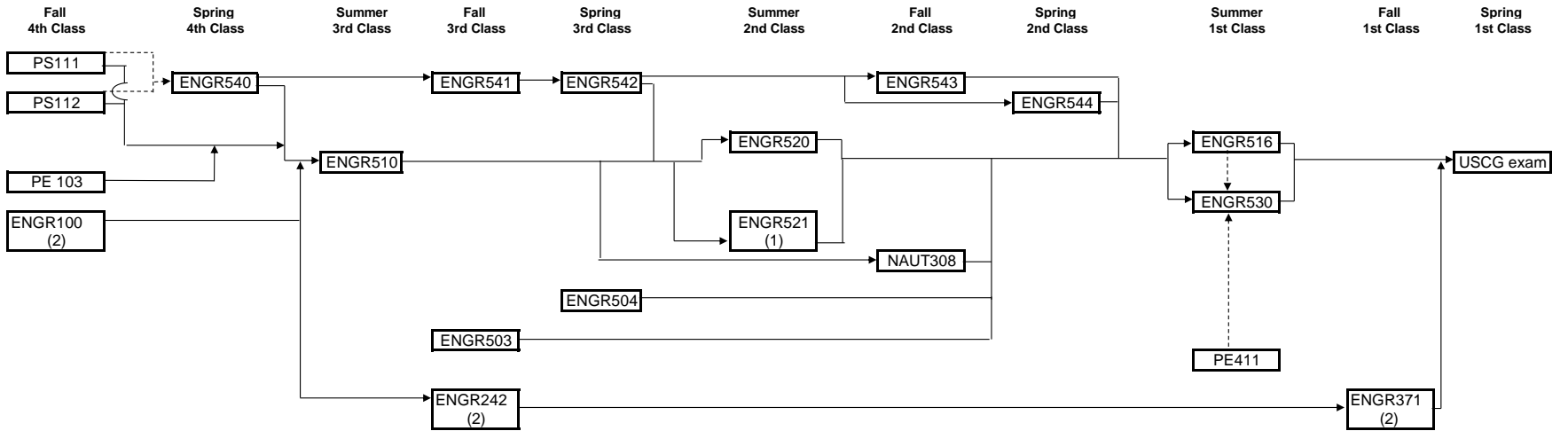


**Notes:**

- (1) ENGR 380 is the pre-requisite for ENGR 495.
- > Indicates co-requisite where the course, at the end without an arrow point, is a co-requisite with the course which the arrow points to. Students must also take Engine License courses as shown on the "USCG Engine License Courses for B.E. in Marine Engineering" Flow sheet.
- C- Students must have a minimum grade of C- in MATH 101 as a pre-requisite for MATH 102.
- C- Students must have a minimum grade of C- in PHYS 102 as a pre-requisite for PHYS 201.

## USCG Engine License Courses for B.E. in Marine Engineering for 2016 Graduates

Edited 8/5/12



**Notes**

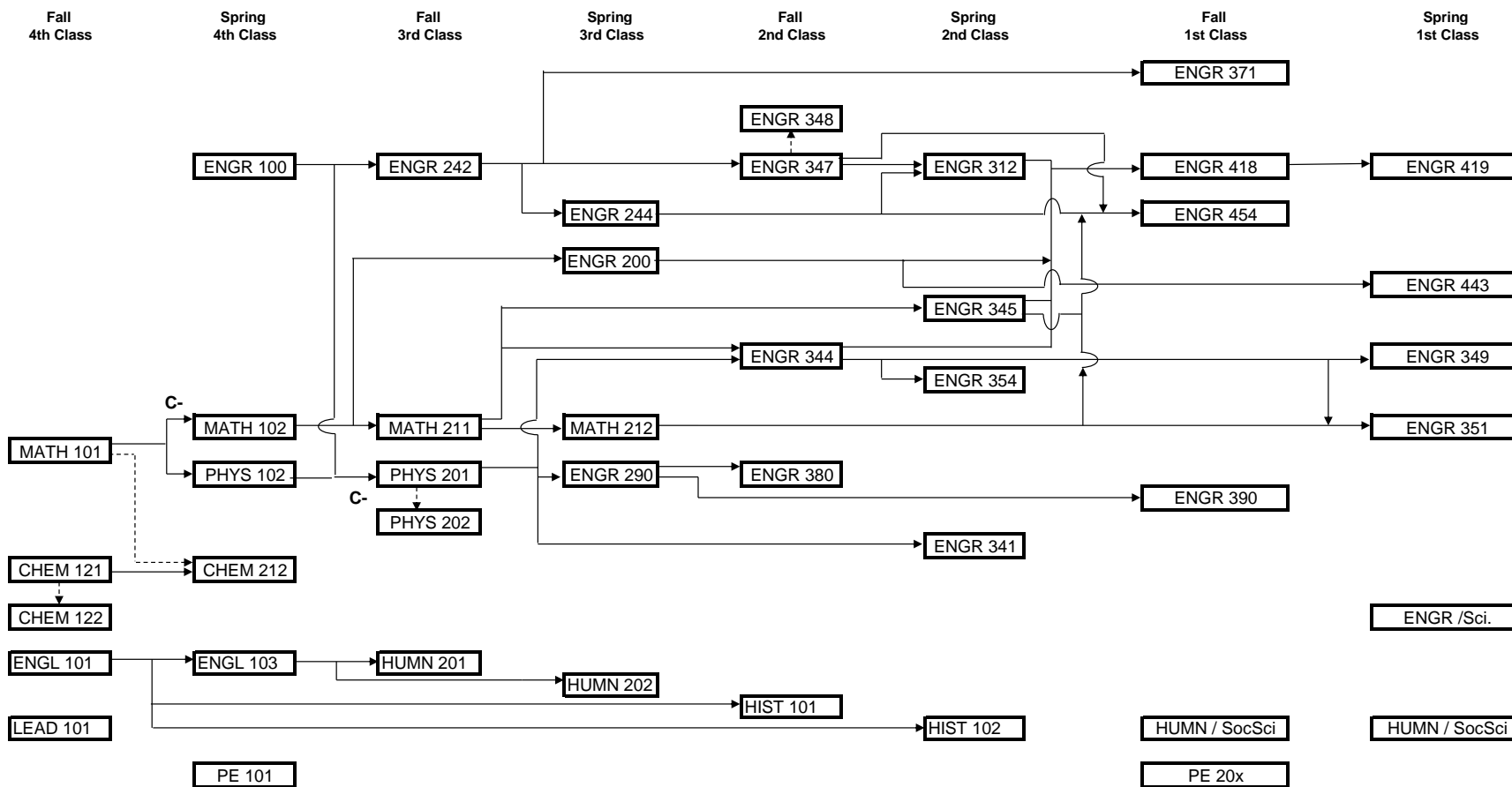
(1) ENGR521 (Cadet Observer) in lieu of ENGR520.

(2) Also listed on Marine Engineering Program Curriculum flow chart.

-----> Indicates co-requisite where the course, at the end without an arrow point, is a co-requisite with the course which the arrow points to.

## B.E. Mechanical Engineering - Engine License for 2016 Graduates

Edited 8/2/12



**Notes:**

----->

USCG Engine License Students must also take License courses as shown on the "USCG Engine License Courses for B.E. in Mechanical Engineering" Flow sheet.

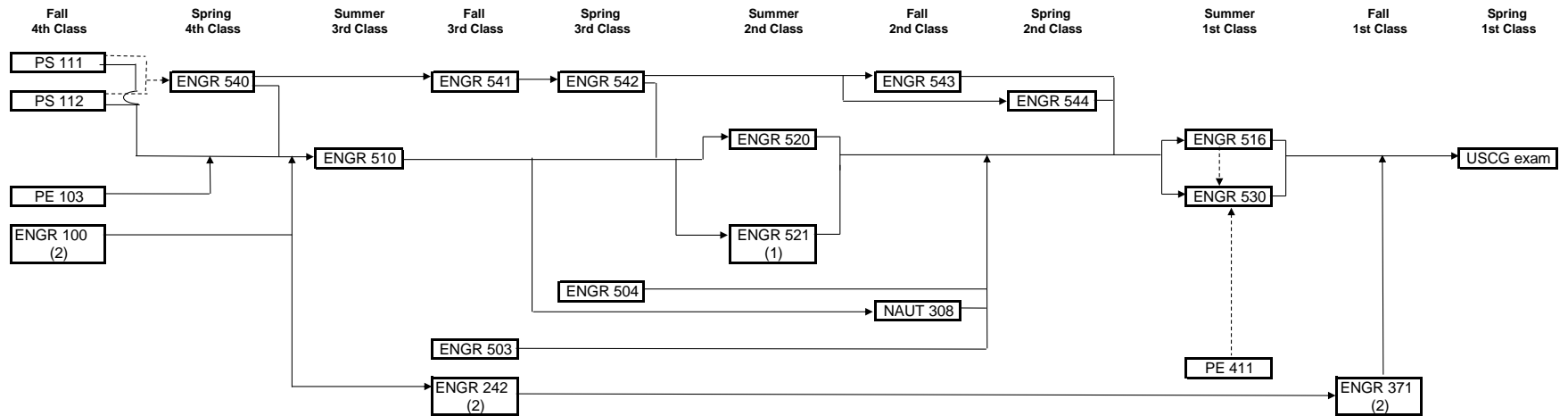
Indicates co-requisite where the course, at the end without an arrow point, is a co-requisite with the course which the arrow points to.

C- Students must have a minimum grade of C- in MATH 101 as a pre-requisite for MATH 102.

C- Students must have a minimum grade of C- in PHYS 102 as a pre-requisite for PHYS 201.

## USCG Engine License Courses for B.E. in Mechanical Engineering for 2016 Graduates

Edited 8/5/12

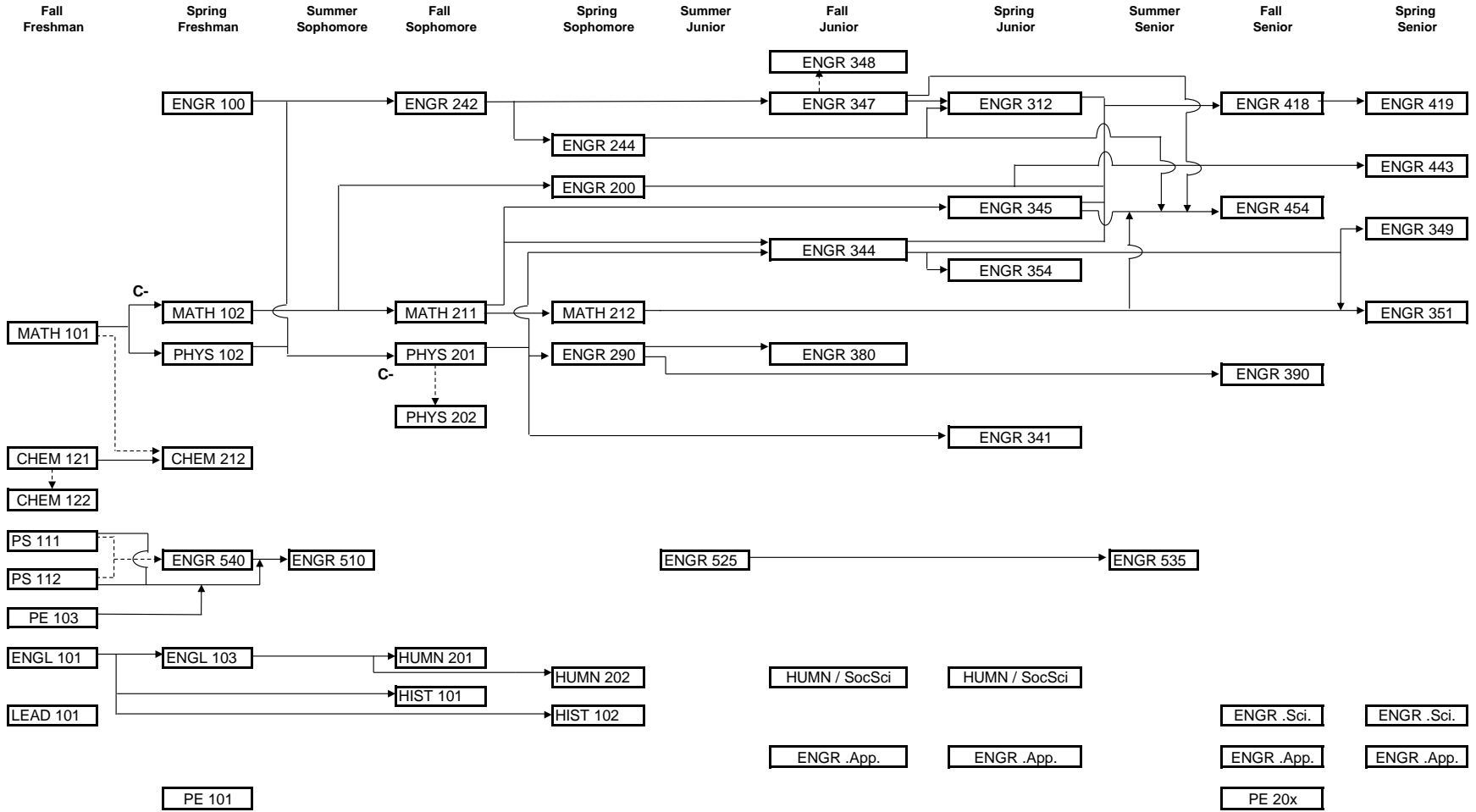


**Notes**

- (1) ENGR 521 (Cadet Observer) in lieu of ENGR 520.
  - (2) Also listed on Mechanical Engineering Curriculum flow chart.
- > Indicates co-requisite where the course, at the end without an arrow point, is a co-requisite with the course which the arrow points to.

## B.E. Mechanical Engineering - Intern Option for 2016 Graduates

Edited 11/04/12

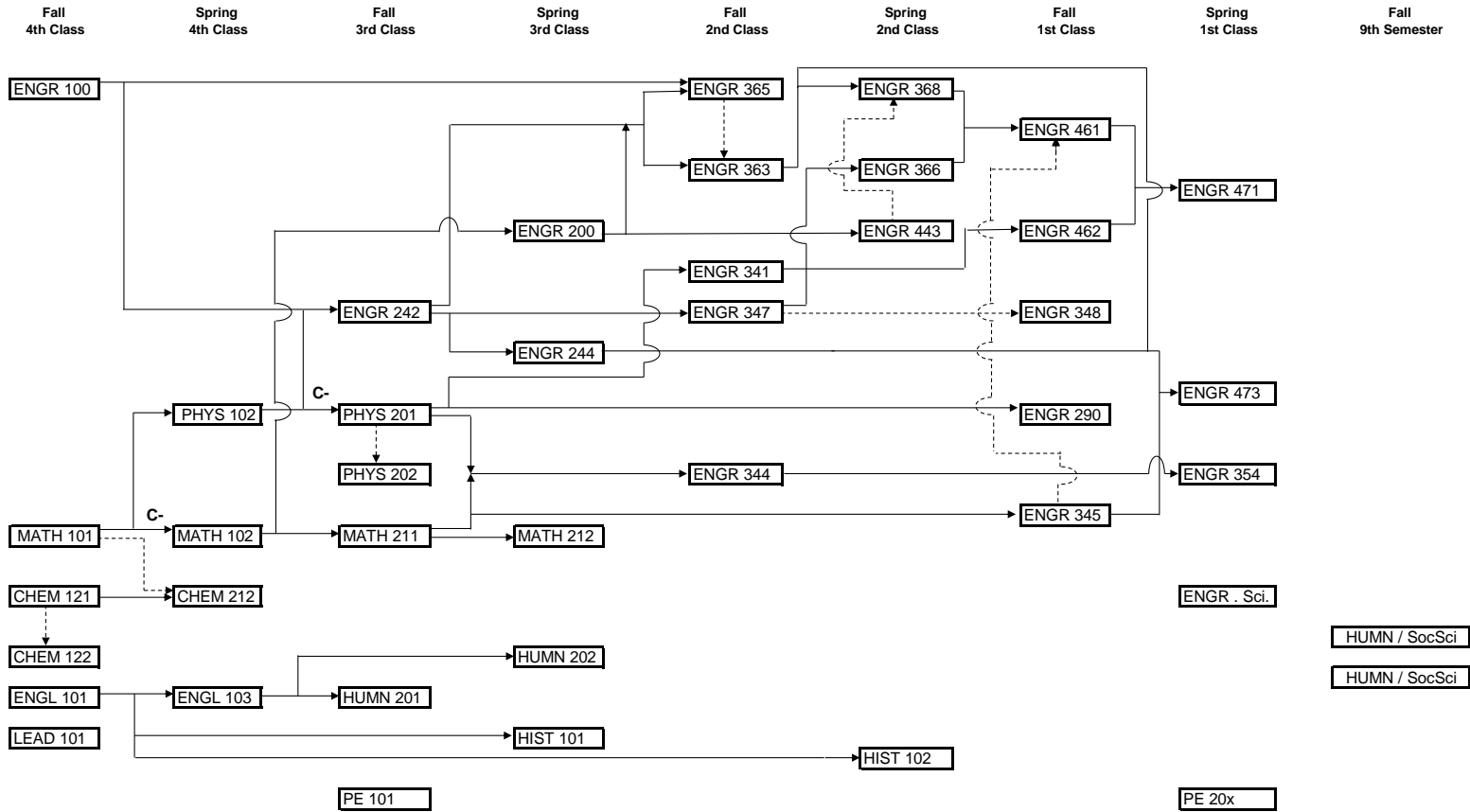


**Notes:**

- > Indicates co-requisite where the course, at the end without an arrow point, is a co-requisite with the course which the arrow points to.
- C- Students must have a minimum grade of C- in MATH 101 as a pre-requisite for MATH 102.
- C- Students must have a minimum grade of C- in PHYS 102 as a pre-requisite for PHYS 201.

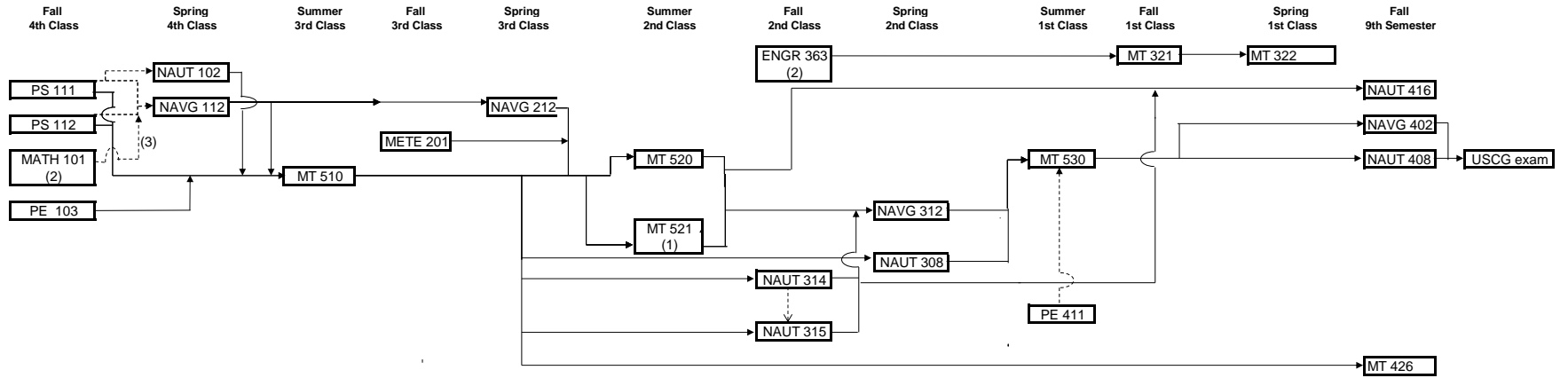
## B.E. Naval Architecture - Deck License for 2016 Graduates

Edited 8/2/12



## USCG Deck License Courses for B.E. in Naval Architecture for 2016 Graduates

Edited 11/04/12



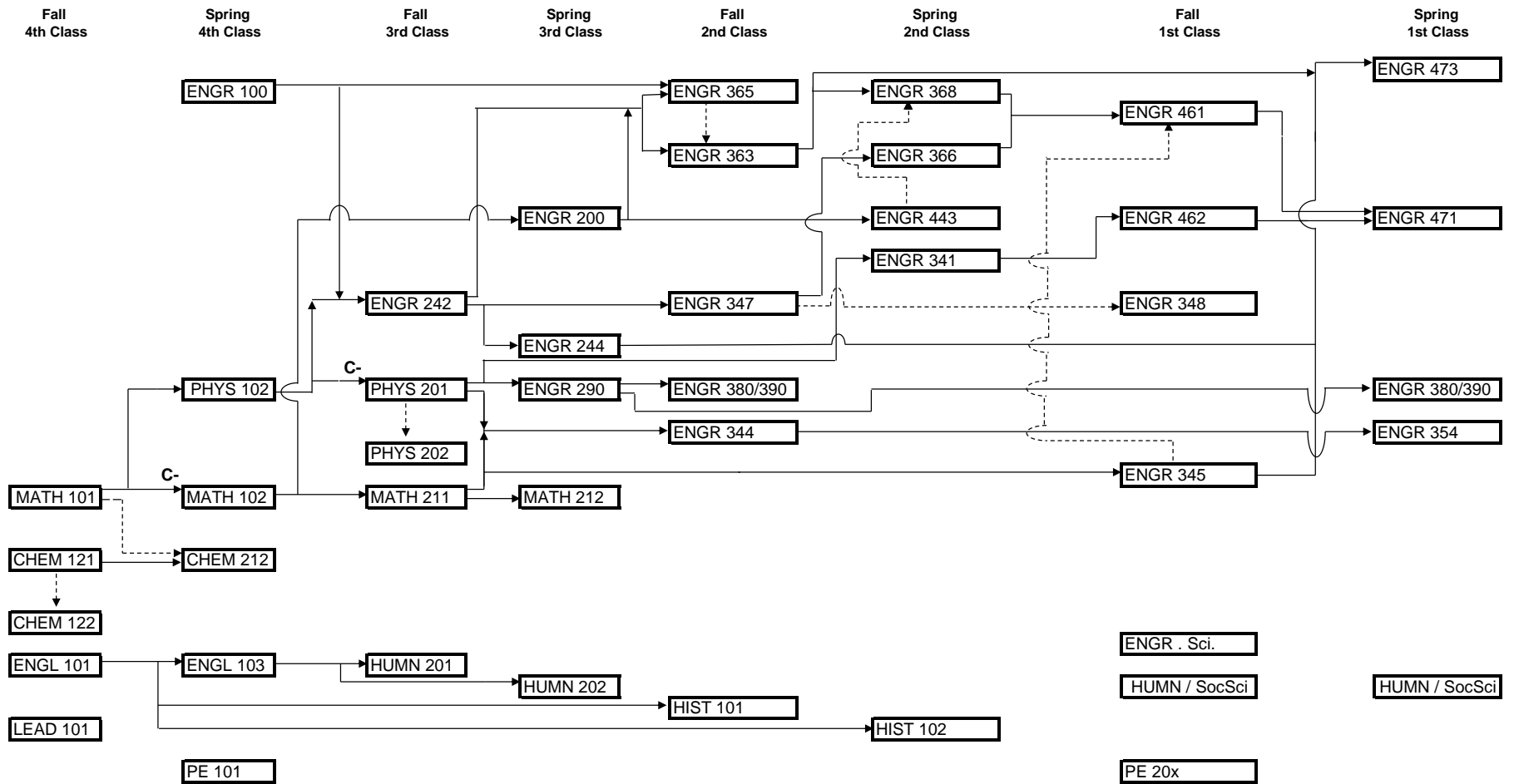
**Notes**

- (1) MT 521 (Cadet Observer) in lieu of MT 520.
- (2) Indicates co-requisite where the course, at the end without an arrow point, is a co-requisite with the course which the arrow points to.
- (3) Also listed on Naval Architecture Deck Curriculum flow chart. Corequisite is MATH 90.



# B.E. Naval Architecture - Engine License for 2016 Graduates

Edited 8/5/12

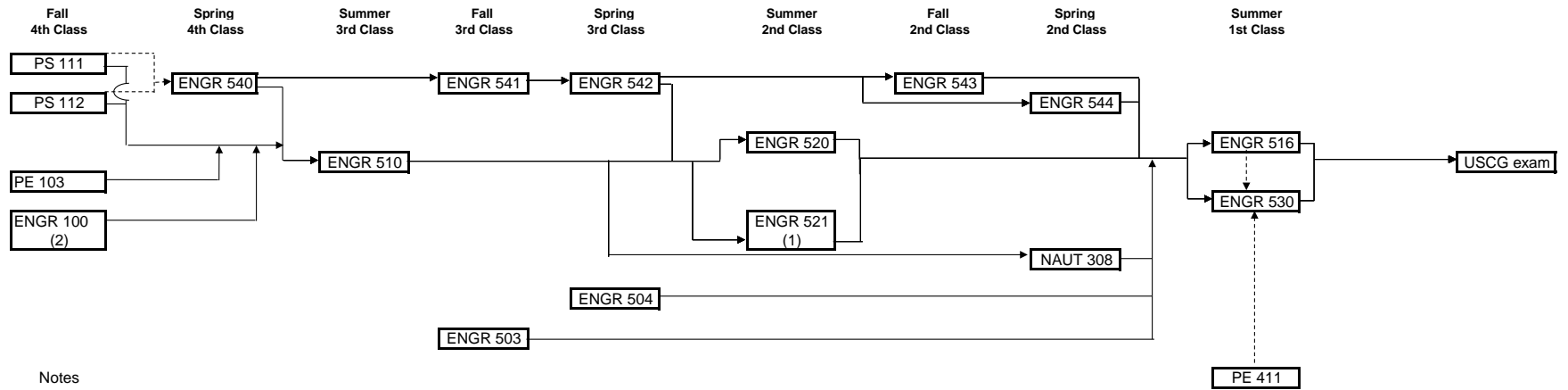


Notes:  
 -----> Indicates co-requisite where the course, at the end without an arrow point, is a co-requisite with the course which the arrow points to.  
 C- Students must have a minimum grade of C- in MATH 101 as a pre-requisite for MATH 102.  
 C- Students must have a minimum grade of C- in PHYS 102 as a pre-requisite for PHYS 201.

## USCG Engine License Courses for B.E. in Naval Architecture for 2016 Graduates

Edited

8/5/12



**Notes**

(1)

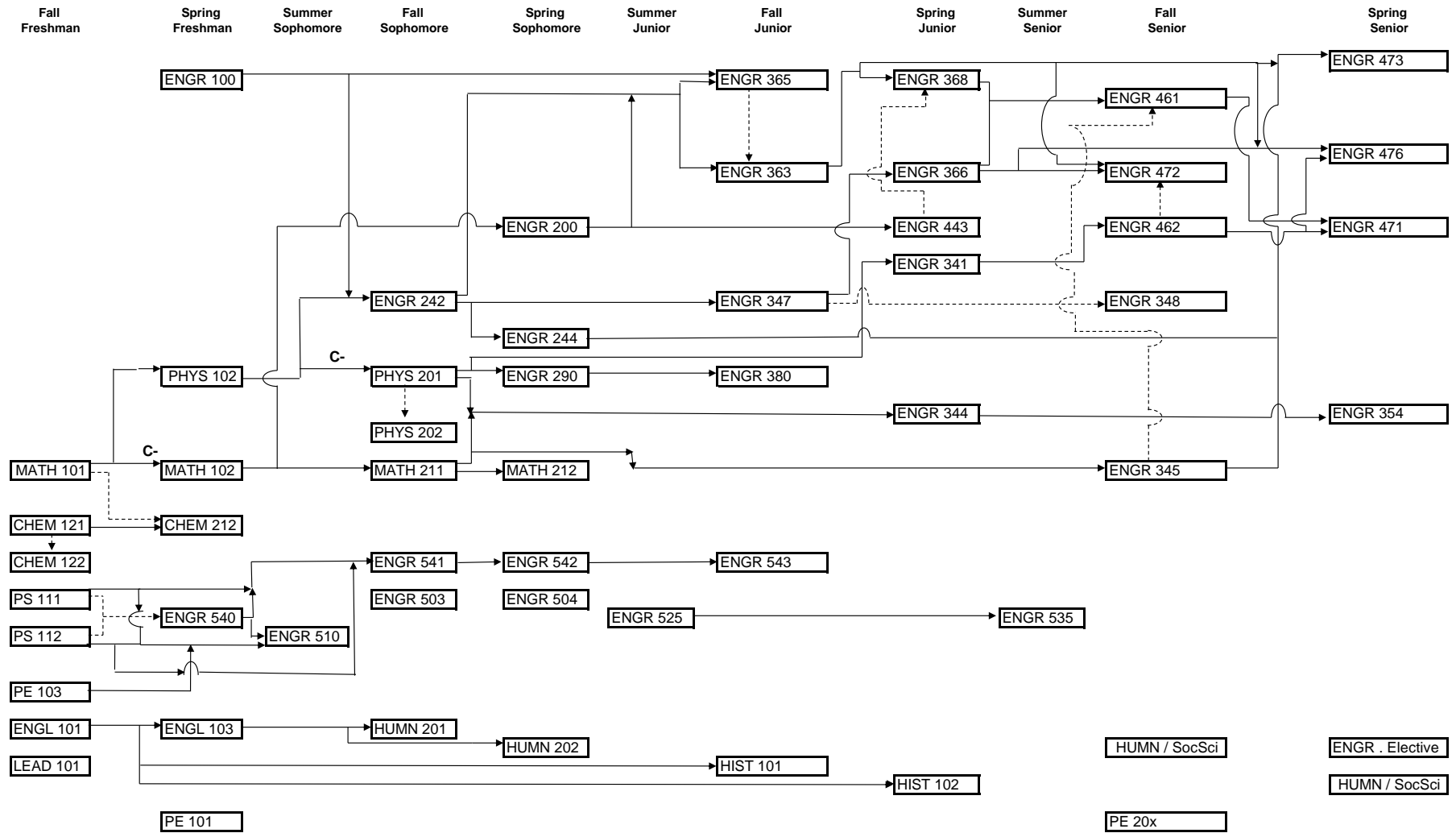
ENGR 521 (Cadet Observer) in lieu of ENGR 520.

----->

Indicates co-requisite where the course, at the end without an arrow point, is a co-requisite with the course which the arrow points to.

# B.E. Naval Architecture - Intern Option for 2016 Graduates

Edited 11/04/12

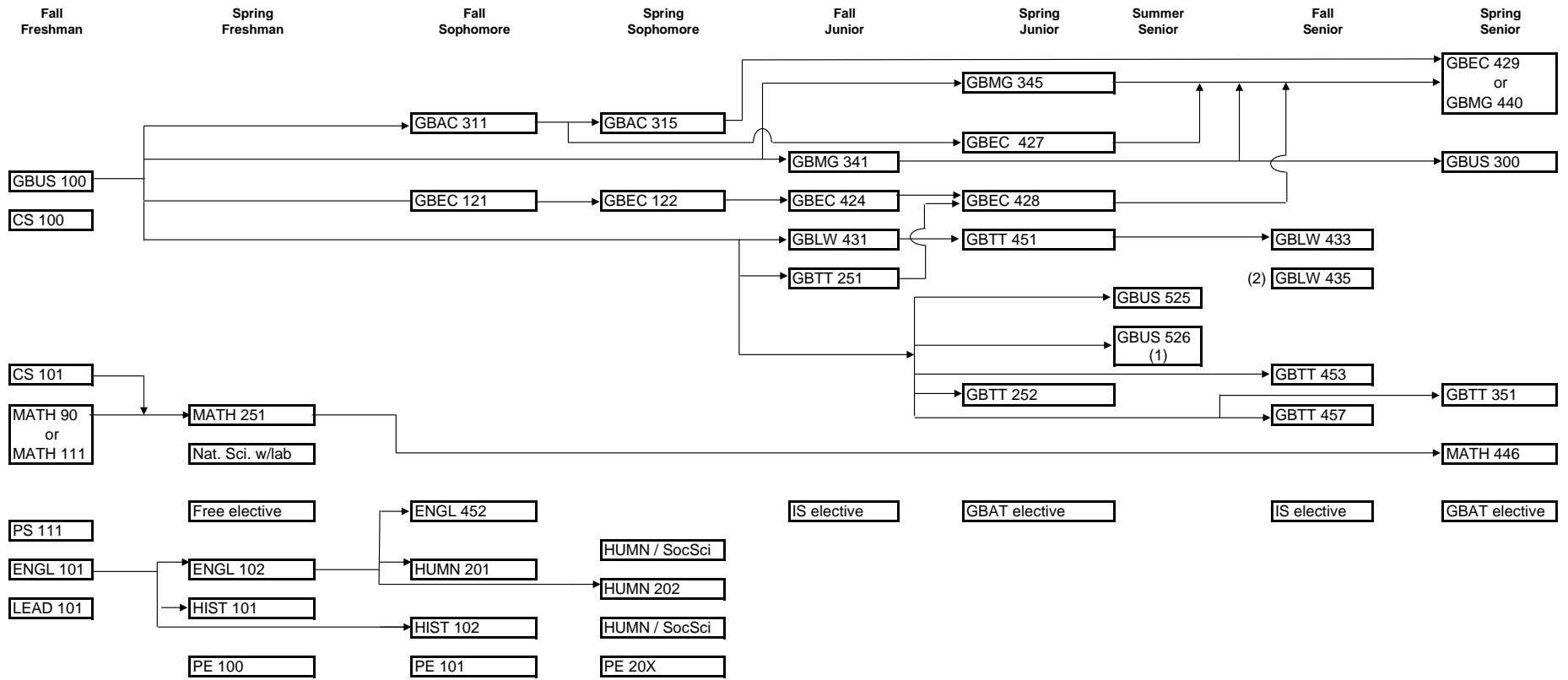


**Notes:**

- - - - -> Indicates co-requisite where the course, at the end without an arrow point, is a co-requisite with the course which the arrow points to.
- C- Students must have a minimum grade of C- in MATH 101 as a pre-requisite for MATH 102.
- C- Students must have a minimum grade of C- in PHYS 102 as a pre-requisite for PHYS 201.

### ITT Intern Curriculum Flow Chart for Class of 2016

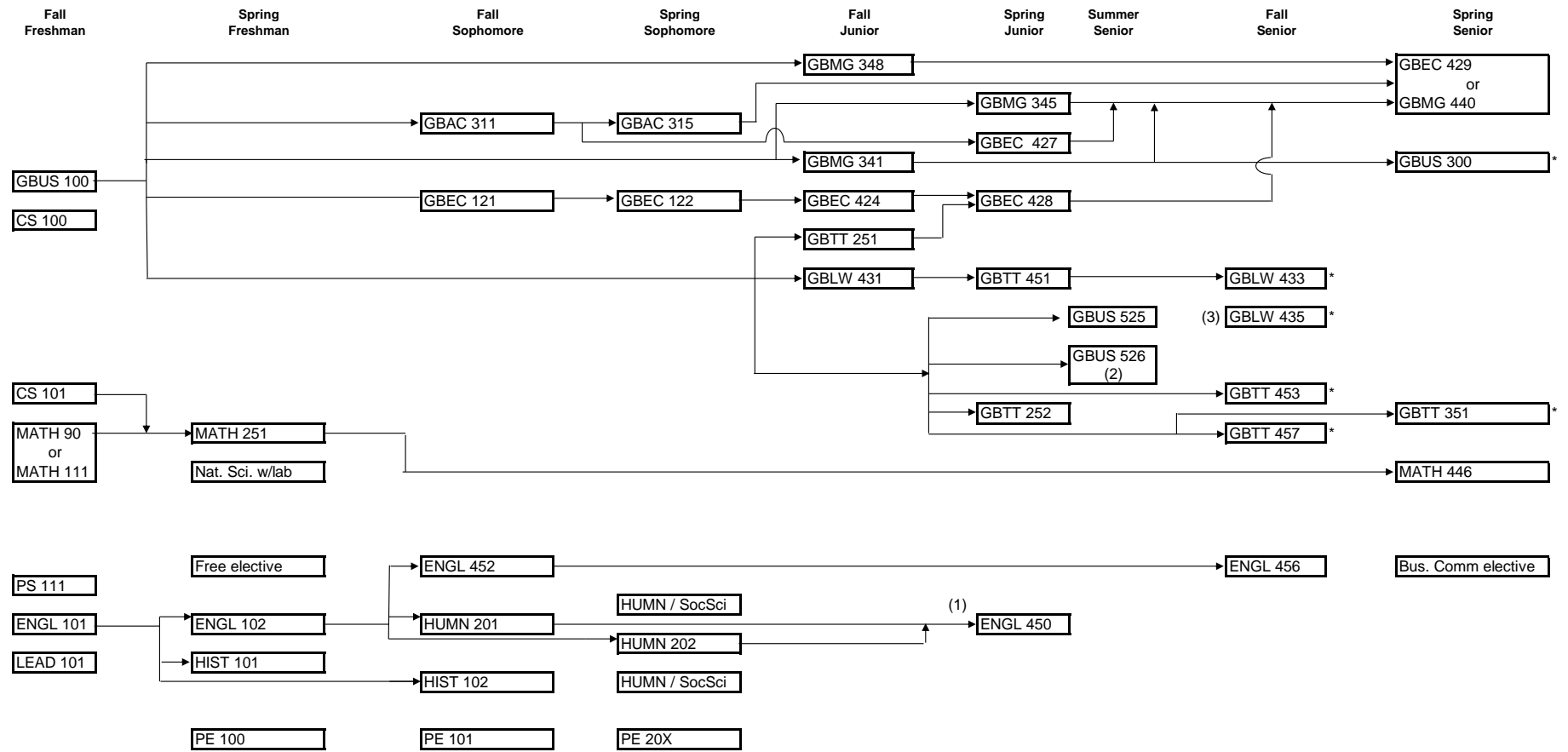
Edited 9/8/12



Notes: (1) GBUS 526 ITT Study Abroad in lieu of GBUS 525

# ITT Intern Business Communications Minor Curriculum Flow Chart for Class of 2016

Edited 9/8/12



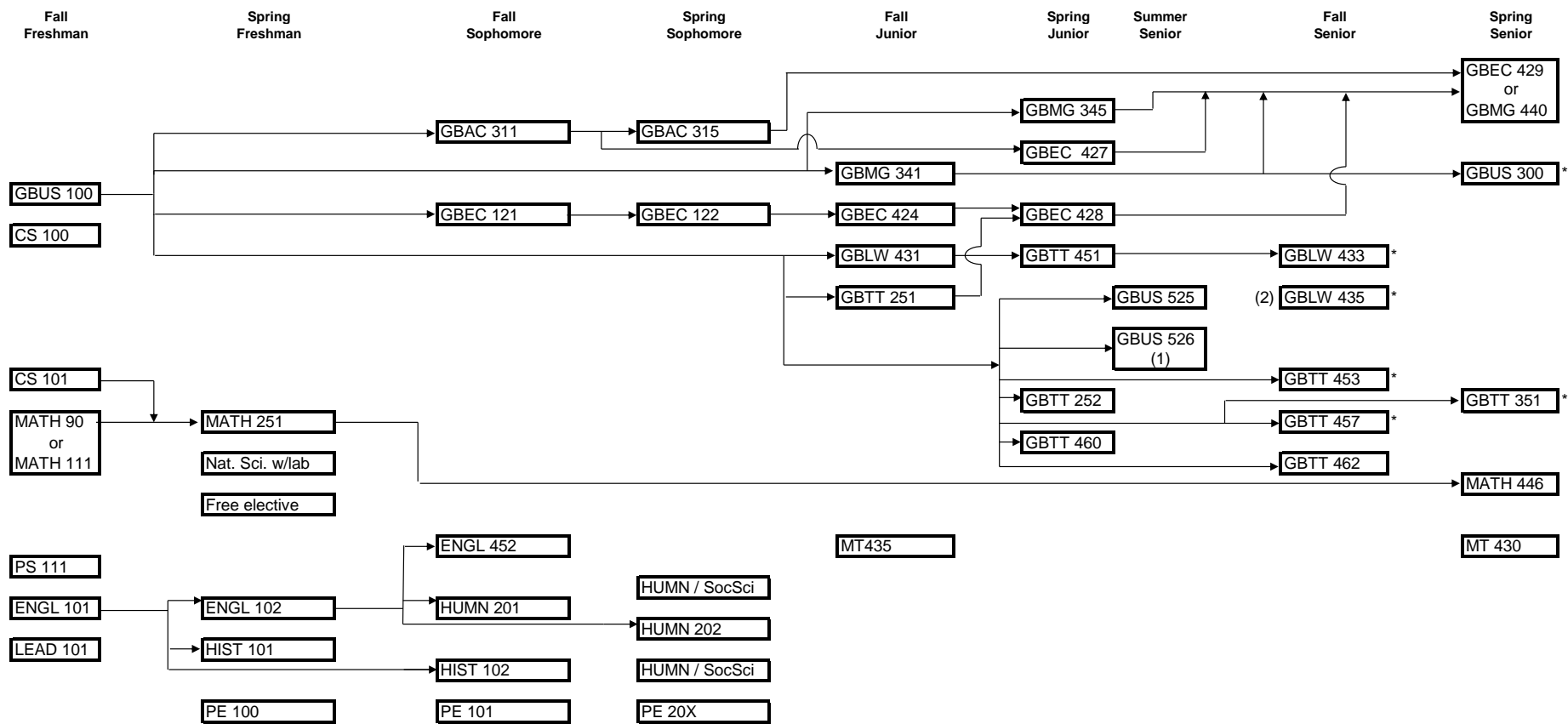
**Notes:**

(1) Prerequisite is HUMN 201 or 202.

\* Students will meet with advisor to replace one of these courses by a Business Communications elective.

# ITT Intern Intermodal & Maritime Security Minor Curriculum Flow Chart for Class of 2016

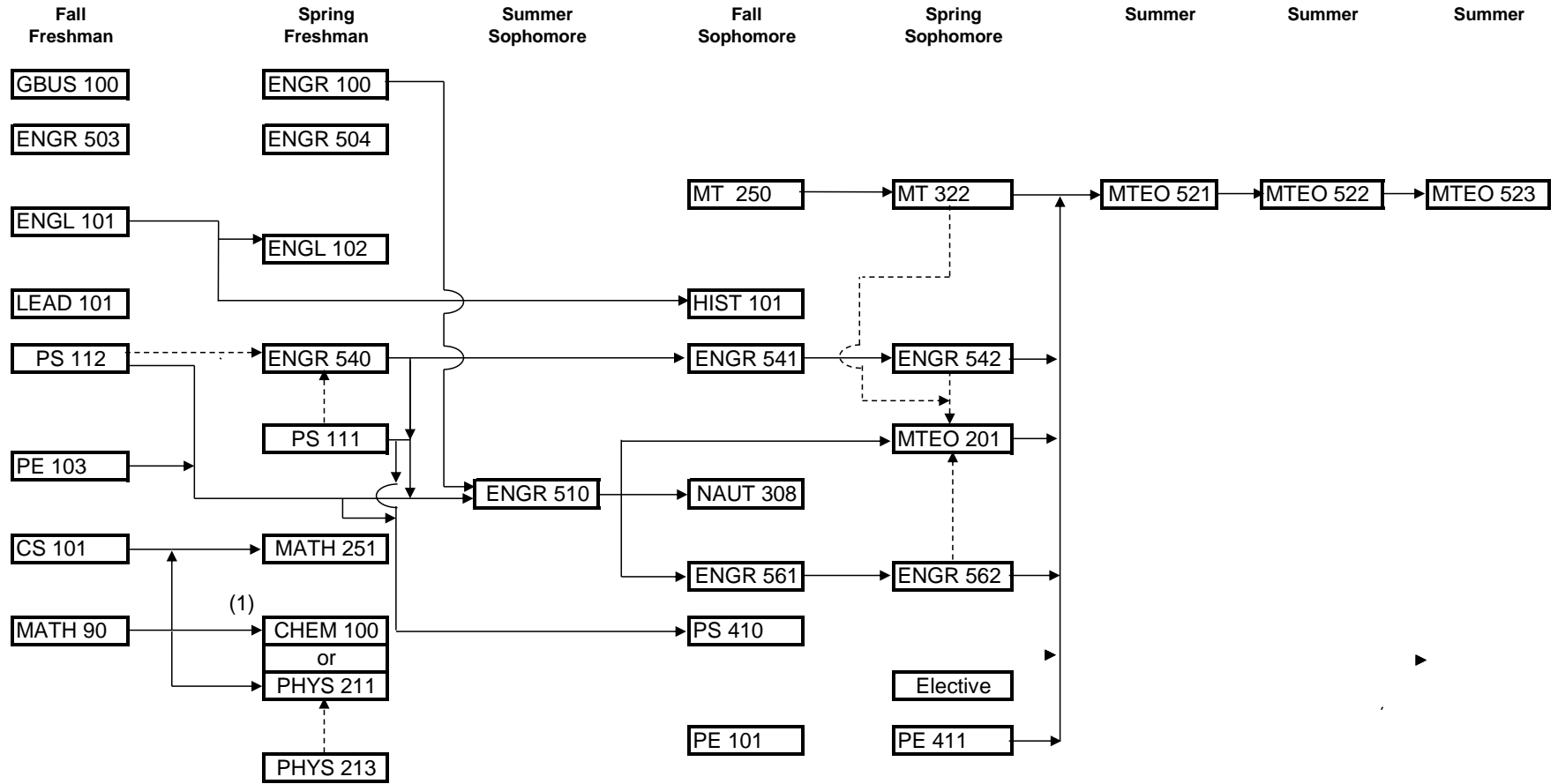
Edited 9/8/12



Notes: \* Students will meet with advisor to replace one of these courses by GBTT 465.

# Marine Technology: Assistant Engineer Limited License Curriculum Flow Chart for Class of 2014

Edited 8/5/12



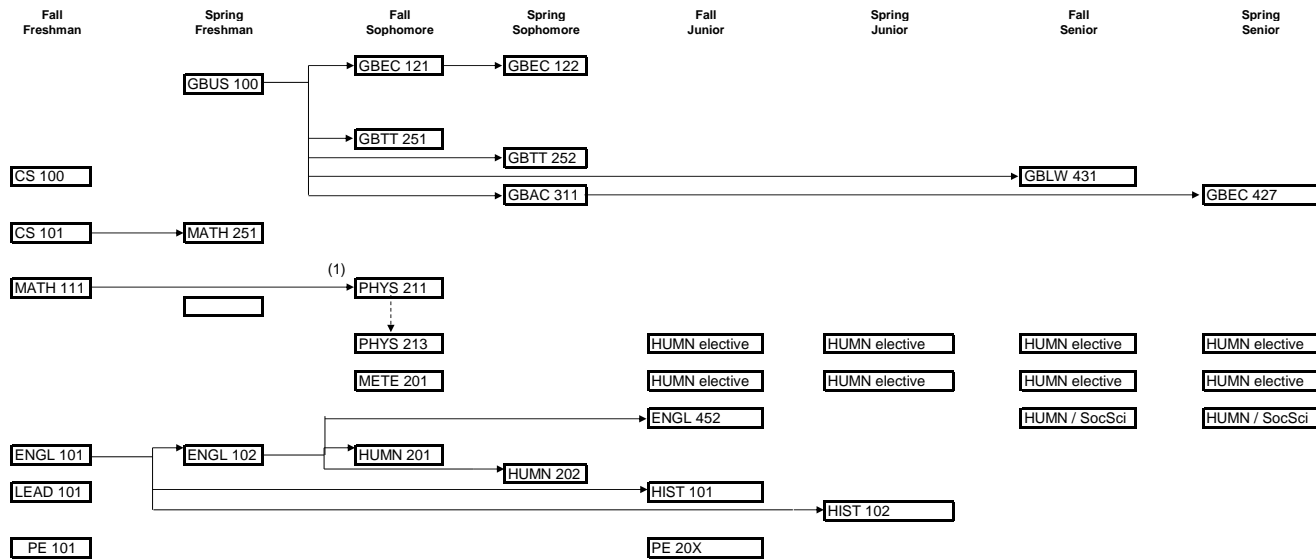
## Notes

----->  
(1)

Indicates co-requisite where the course, at the end without an arrow point, is a co-requisite with the course which the arrow points to.  
Prerequisite for CHEM 100 is MATH 80

Marine Business & Commerce Humanities Minor Deck License Curriculum Flow Chart for Class of 2016

Edited 8/4/12



NAUT 315 removed as pre-requisite for NAUT 314

Notes:

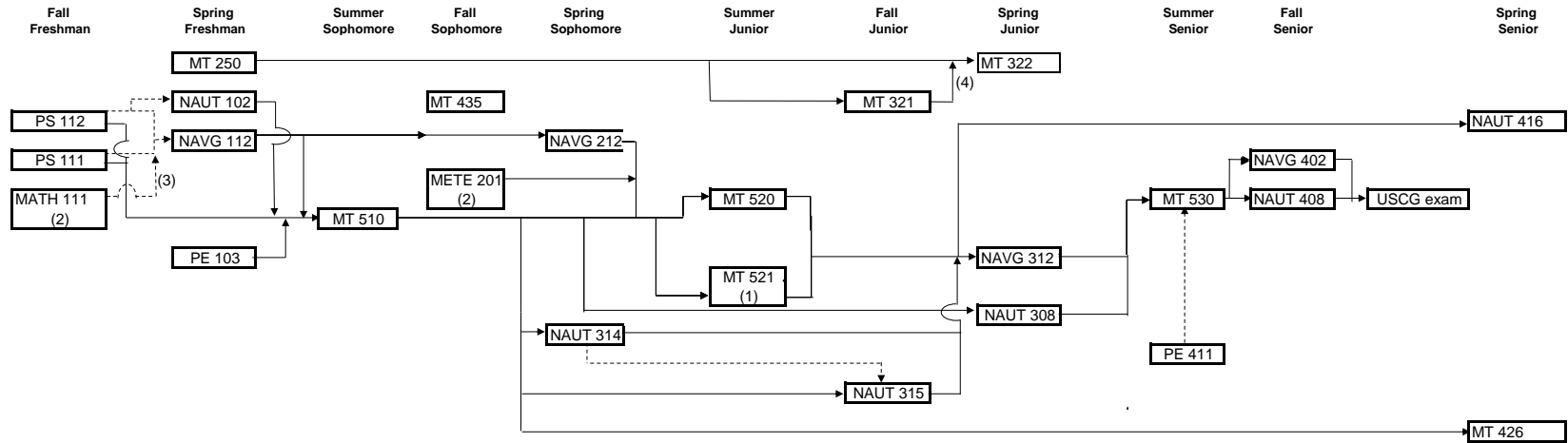
----->  
(1)

USCG Deck License Students must also take License courses as shown on the Marine Business & Commerce USCG Deck License Flow sheet.  
Indicates co-requisite where the course, at the end without an arrow point, is a co-requisite with the course which the arrow points to.  
Prerequisite is MATH 90.



## Marine Business & Commerce USCG Deck License Curriculum Flow Chart for Class of 2016

Edited 11/04/12

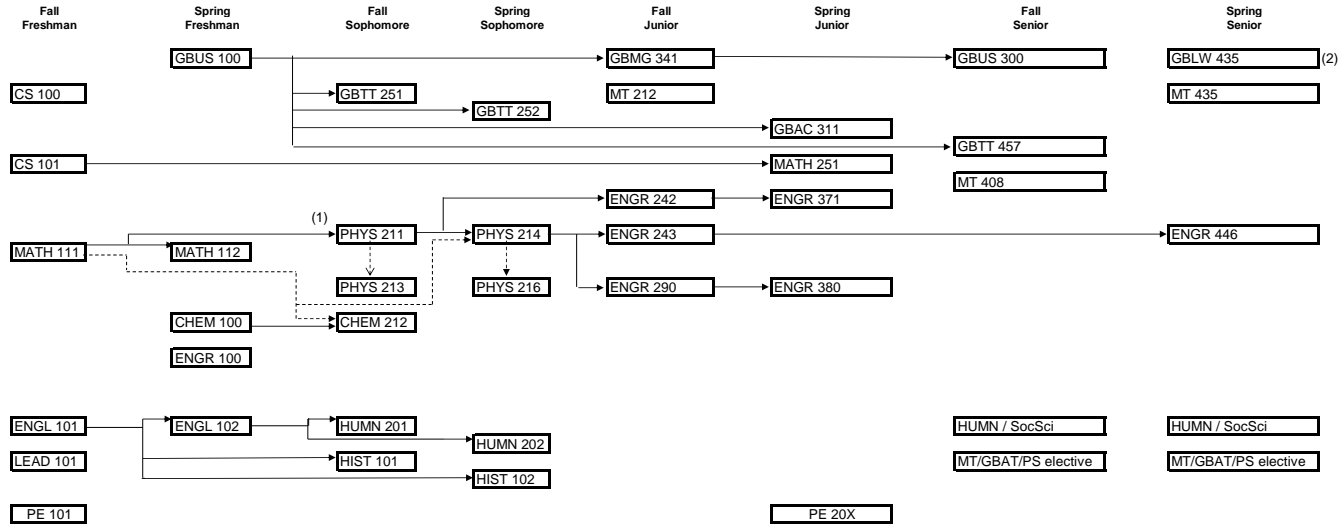


**Notes**

- (1) MT 521 (Cadet Observer) in lieu of MT 520.
- (2) Indicates co-requisite where the course, at the end without an arrow point, is a co-requisite with the course which the arrow points to. Also listed on Marine Business & Commerce Humanities Minor Deck Course flow chart.
- (3) Corequisite is MATH 90.
- (4) Prerequisite for MT 322 is MT 250 or MT 321

Marine Operations Engine License Curriculum Flow Chart for Class of 2016

Edited 8/4/12



NAUT 315 removed as pre-requisite for NAUT 314

Notes:

----->

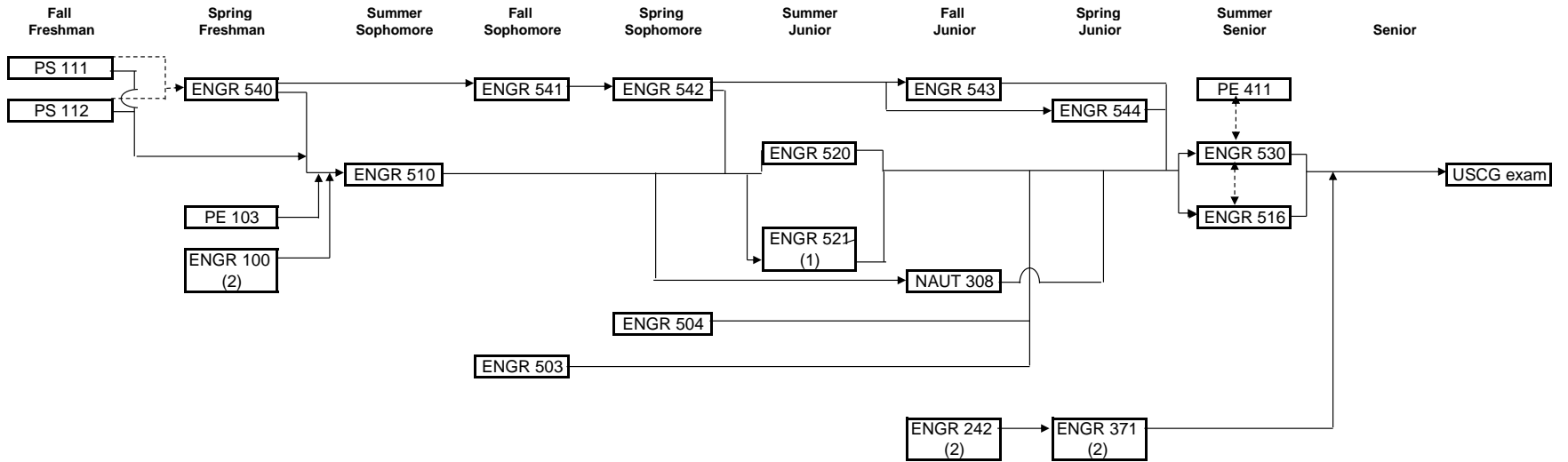
USCG Deck License students must also take License courses as shown on the "Marine Operations Engine USCG License Flow Chart" Flow sheet. Indicates co-requisite where the course, at the end without an arrow point, is a co-requisite with the course which the arrow points to.

(1) Prerequisite is MATH 90.

(2) Prerequisite is Second Class standing.

## Marine Operations Engine USCG License Flow Chart for Class of 2016

Edited 8/4/12

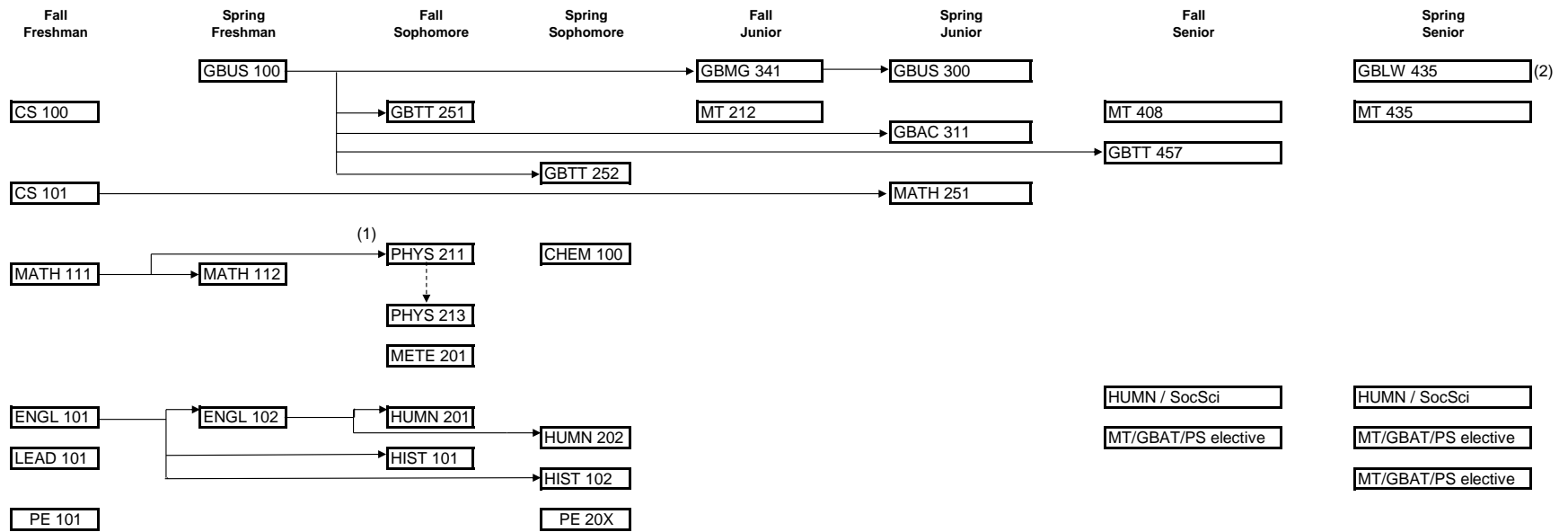


**Notes**

- (1) ENGR 521 (Cadet Observer) in lieu of ENGR 520.
  - (2) Also listed on Marine Operations Engineering Curriculum flow chart.
- > Indicates co-requisite where the course, at the end without an arrow point, is a co-requisite with the course which the arrow points to.

## Marine Operations Deck License Curriculum Flow Chart for Class of 2016

Edited 8/4/12

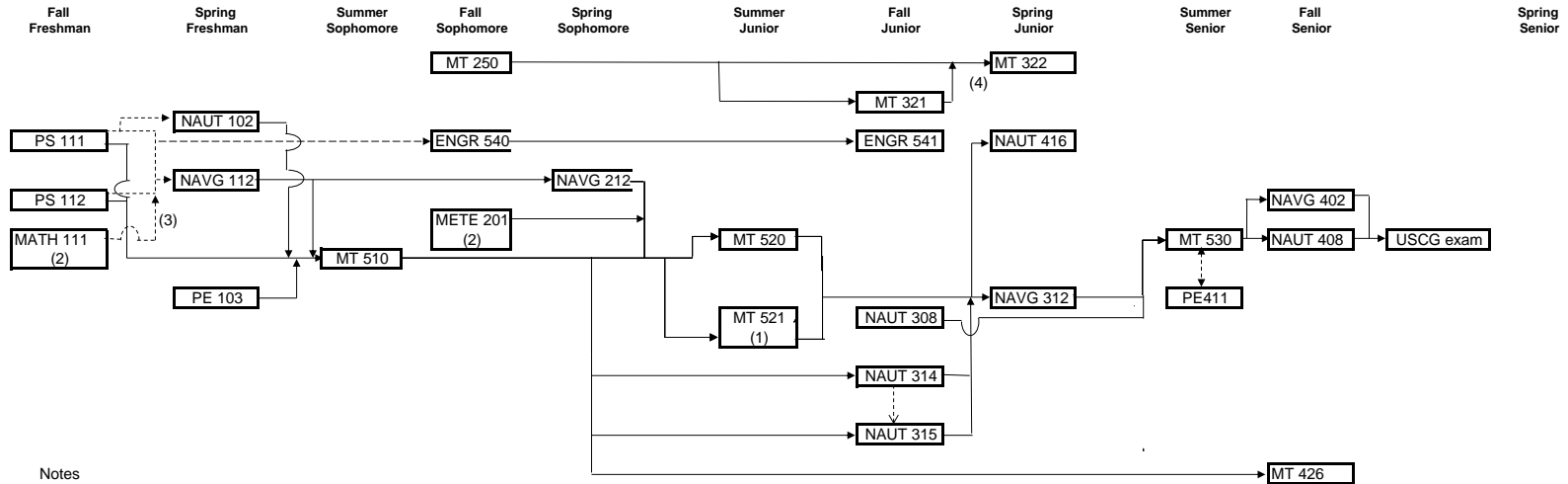


**Notes:**

- > USCG Deck License students must also take License courses as shown on the "Marine Operations USCG Deck License Curriculum" Flow Chart. Indicates co-requisite where the course, at the end without an arrow point, is a co-requisite with the course which the arrow points to.
- (1) Prerequisite is MATH 90.
- (2) Prerequisite is Second Class standing.

## Marine Operations USCG Deck License Curriculum Flow Chart for Class of 2016

Edited 11/04/12

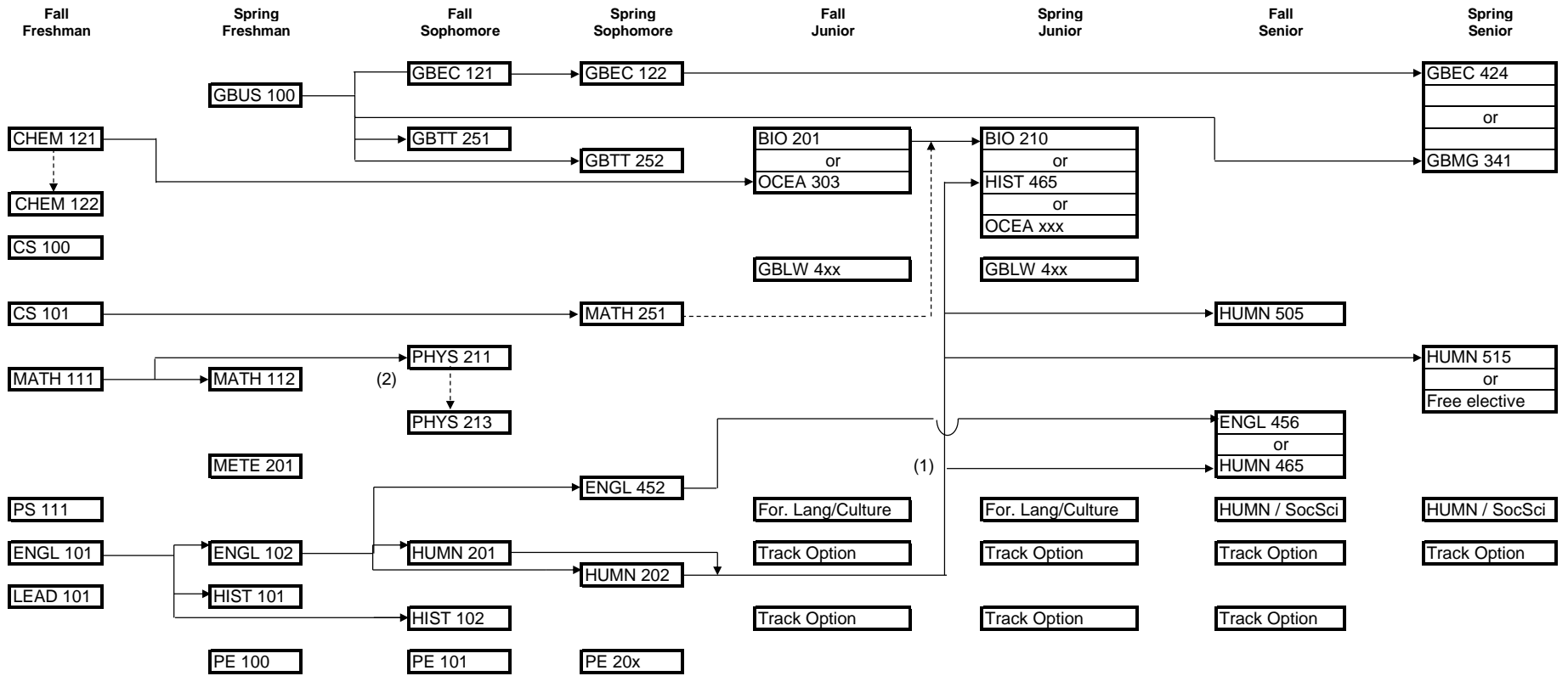


**Notes**

- (1) MT 521 (Cadet Observer) in lieu of MT 520.
- (2) Indicates co-requisite where the course, at the end without an arrow point, is a co-requisite with the course which the arrow points to. Also listed on Marine Operations Deck License Curriculum flow chart.
- (3) Corequisite is MATH 90.
- (4) Prerequisite for MT 322 is MT 250 or MT 321

# Maritime Studies - Intern Curriculum Flow Chart for Class of 2016

Edited 8/4/12

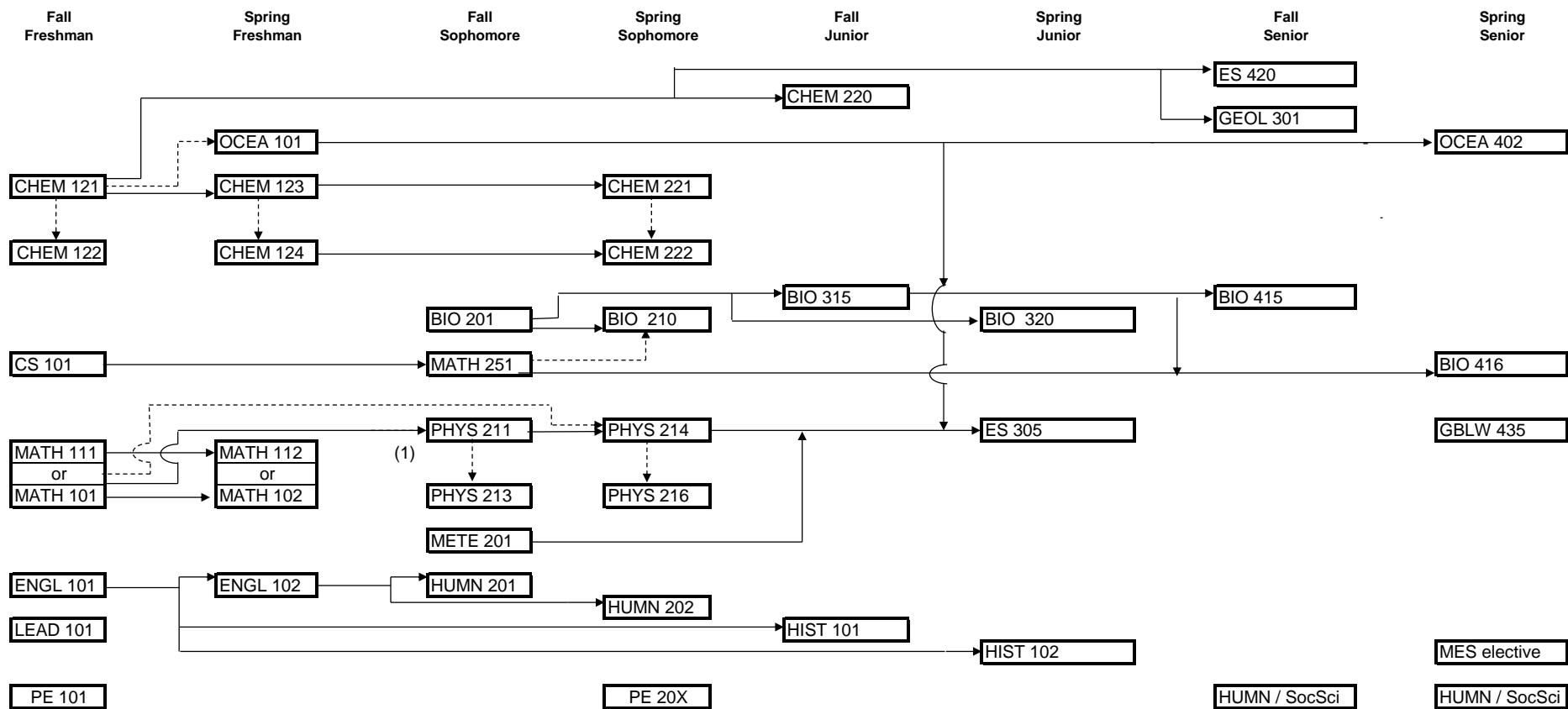


**Notes:**

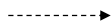
- > Indicates co-requisite where the course, at the end without an arrow point, is a co-requisite with the course which the arrow points to.
- (1) Prerequisite is HUMN 201 or 202.

# MES Marine Biology Deck License Curriculum Flow Chart for Class of 2016

Edited 8/5/12



Notes:

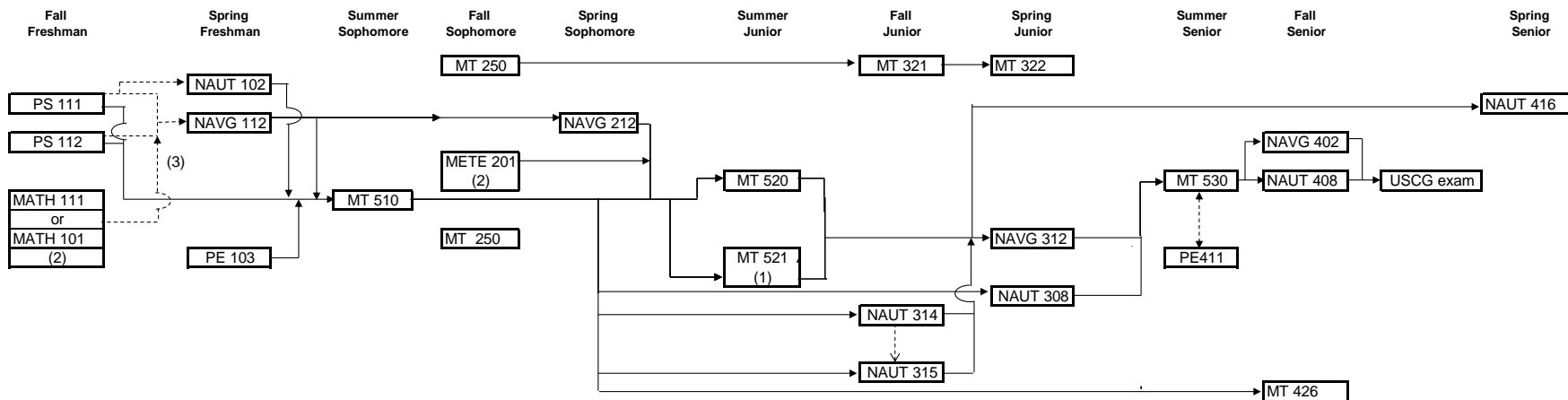


USCG Deck License Students must also take License courses as shown on the "MES Marine Biology USCG Deck License Curriculum Flow Chart" sheet. Indicates co-requisite where the course, at the end without an arrow point, is a co-requisite with the course which the arrow points to.

## USCG Deck License Course Flow

### MES Marine Biology USCG Deck License Curriculum Flow Chart for Class of 2016

Edited 11/4/12



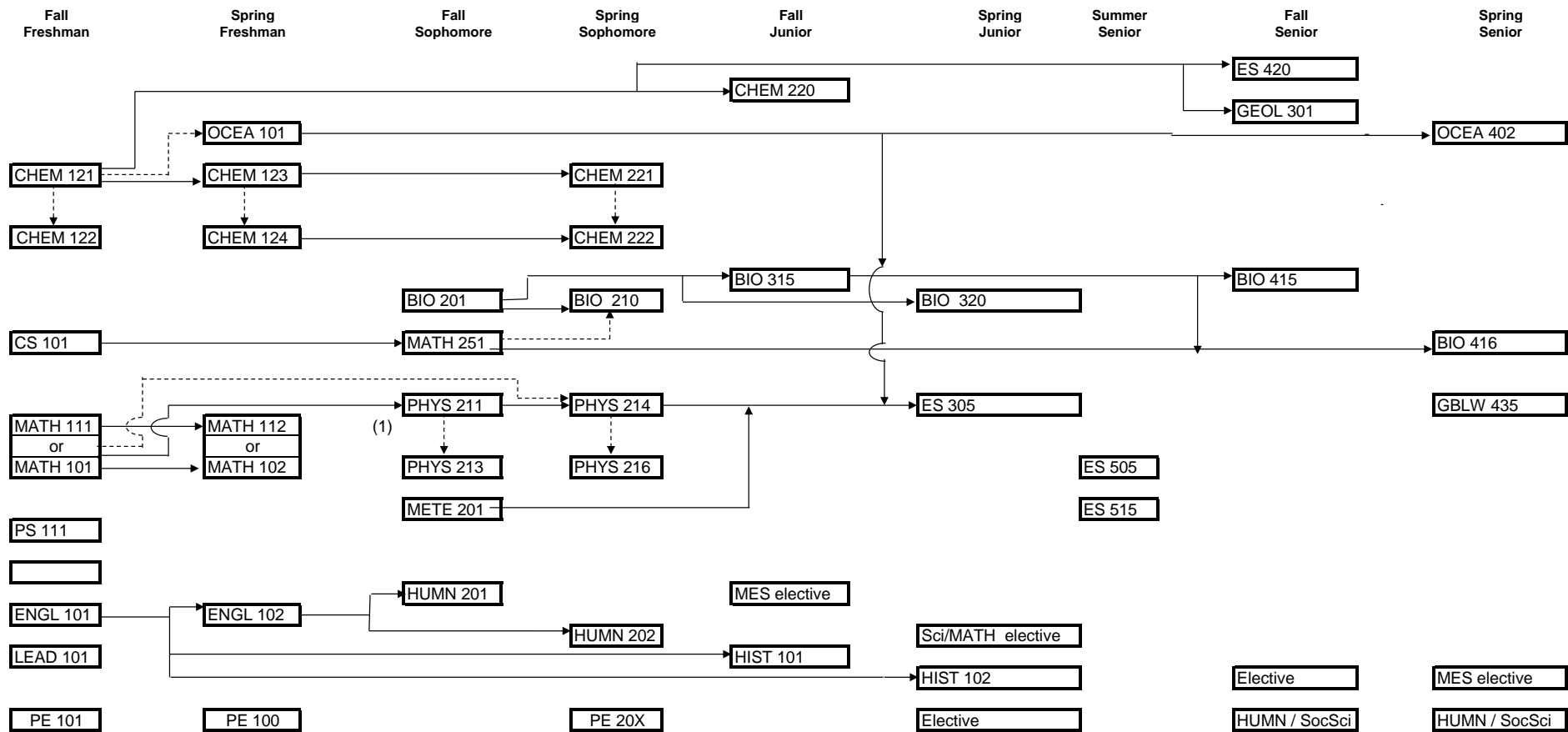
**Notes**

- (1) MT 521 (Cadet Observer) in lieu of MT 520.
- > (2) Indicates co-requisite where the course, at the end without an arrow point, is a co-requisite with the course which the arrow points to. Also listed on MES Marine Biology Deck Curriculum flow chart.
- (3) Co-requisite is MATH 90.



# MES Marine Biology Intern Curriculum Flow Chart for Class of 2016

Edited 8/5/12

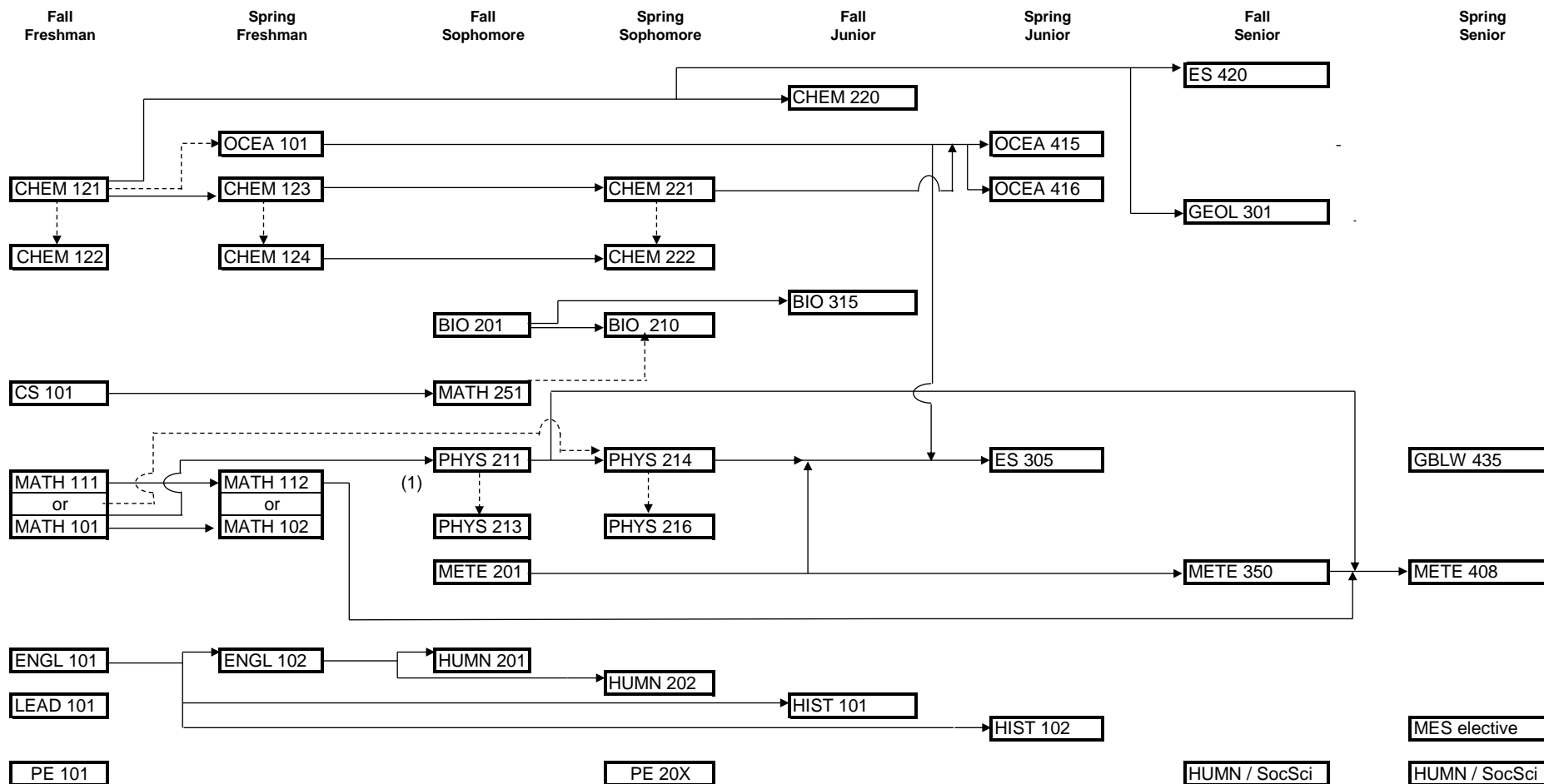


Notes:

-----> Indicates co-requisite where the course, at the end without an arrow point, is a co-requisite with the course which the arrow points to.

# MES M&O USCG DECK Curriculum Flow Chart for Class of 2016

Edited 8/5/12



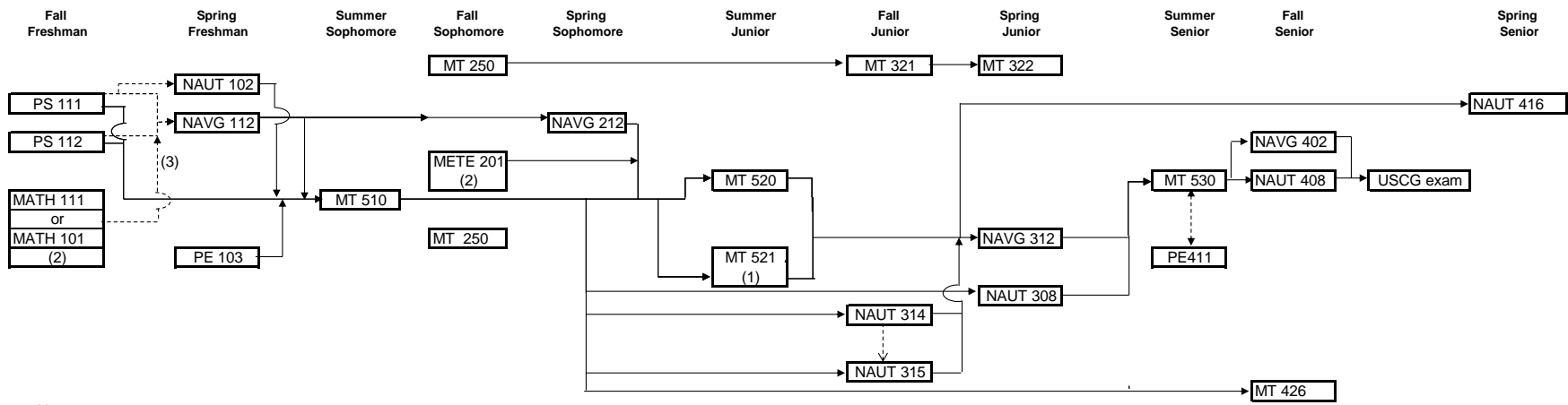
Notes:



USCG Deck License Students must also take License courses as shown on the "MES M&O Deck License Curriculum Flow Chart ". Indicates co-requisite where the course, at the end without an arrow point, is a co-requisite with the course which the arrow points to.

### USCG Deck License Course Flow MES M&O Deck License Curriculum Flow Chart for Class of 2016

Edited 11/4/12

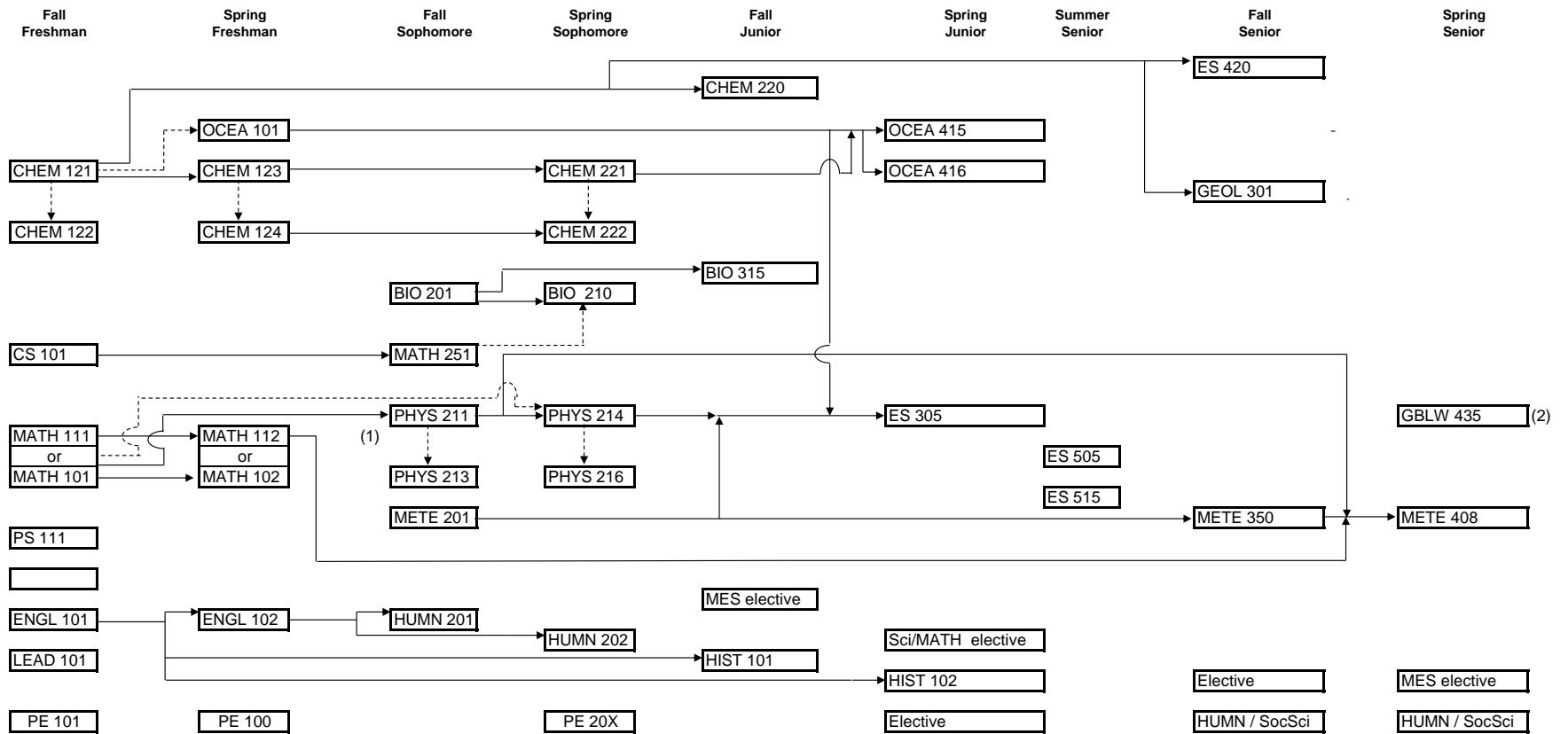


**Notes**

- (1) MT 521 (Cadet Observer) in lieu of MT 520.
- > Indicates co-requisite where the course, at the end without an arrow point, is a co-requisite with the course which the arrow points to.
- (2) Also listed on MES M&O Deck Course flow chart.
- (3) Corequisite is MATH 90.

### MES M&O Intern Curriculum Flow Chart for Class of 2016

Edited 8/5/12

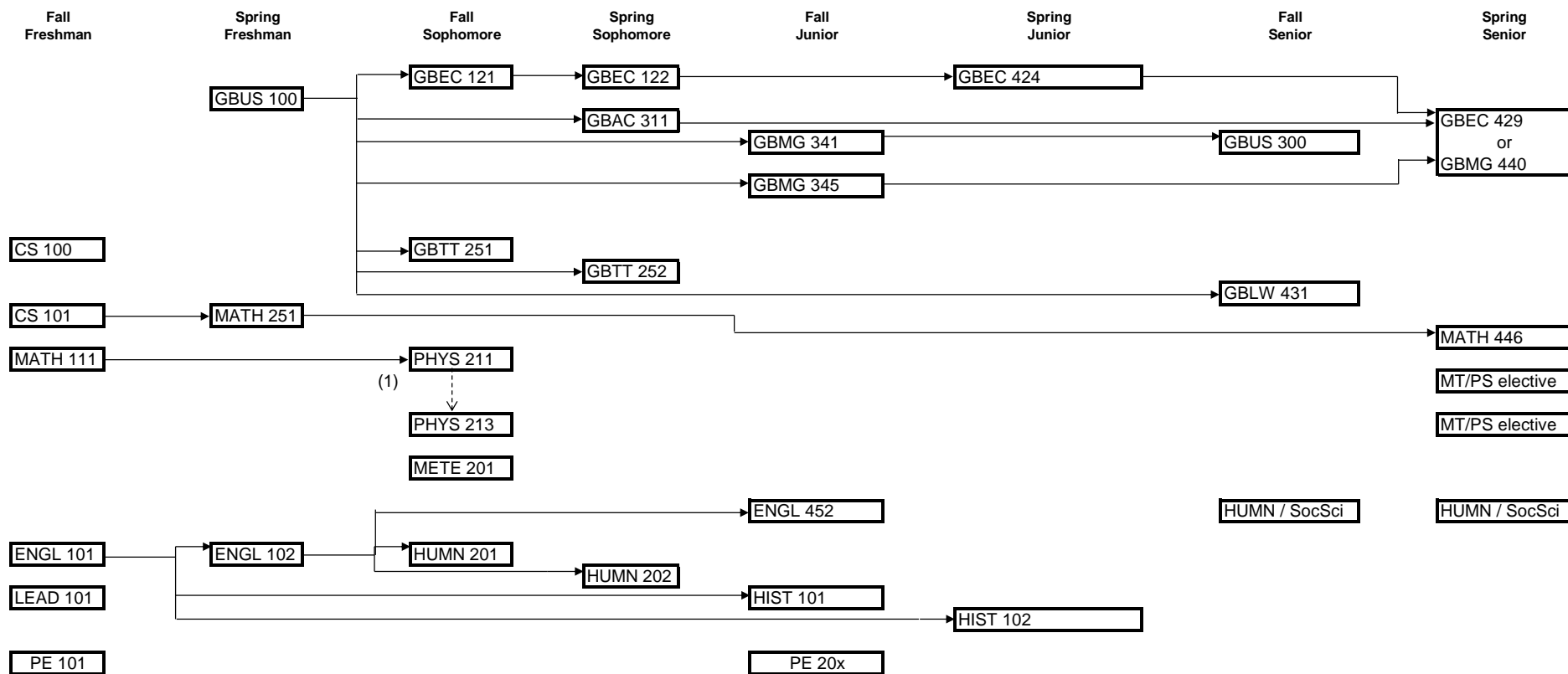


**Notes:**

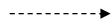
- > Indicates co-requisite where the course, at the end without an arrow point, is a co-requisite with the course which the arrow points to.
- (1) Prerequisite is MATH 90.
- (2) Prerequisite is Junior standing.

## Marine Transportation Deck License Curriculum Flow Chart for Class of 2016

Edited 9/8/12



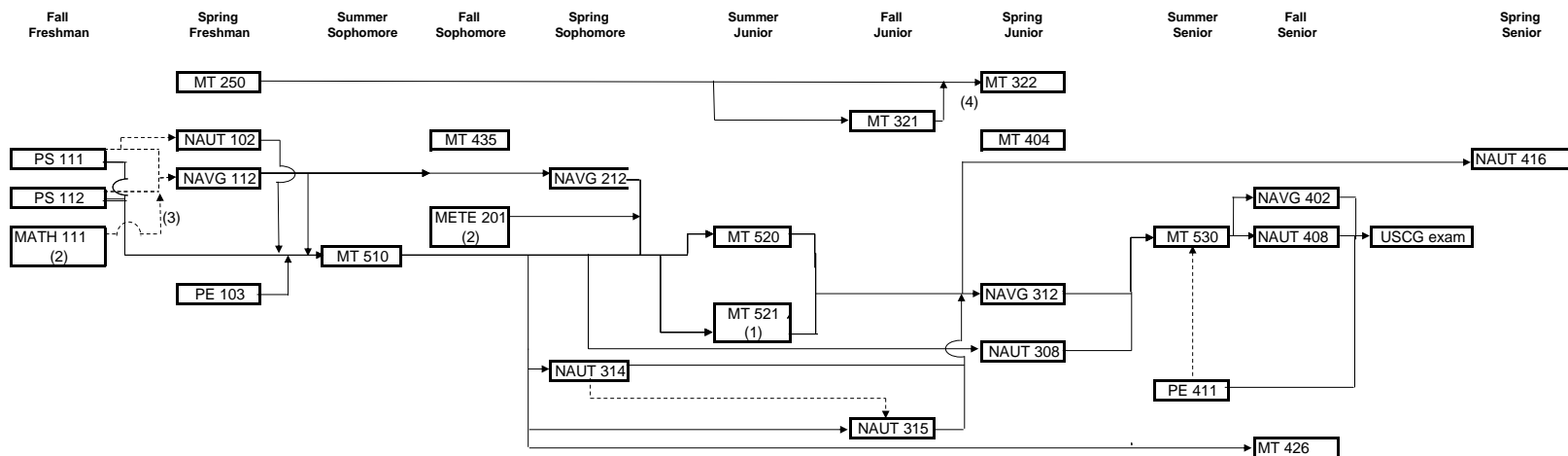
**Notes:**



Students must also take License courses as shown on the "MT USCG Deck License Flow Chart".  
 -----> Indicates co-requisite where the course, at the end without an arrow point, is a co-requisite with the course which the arrow points to.

## MT USCG Deck License Flow Chart for Class of 2016

Edited 11/4/12

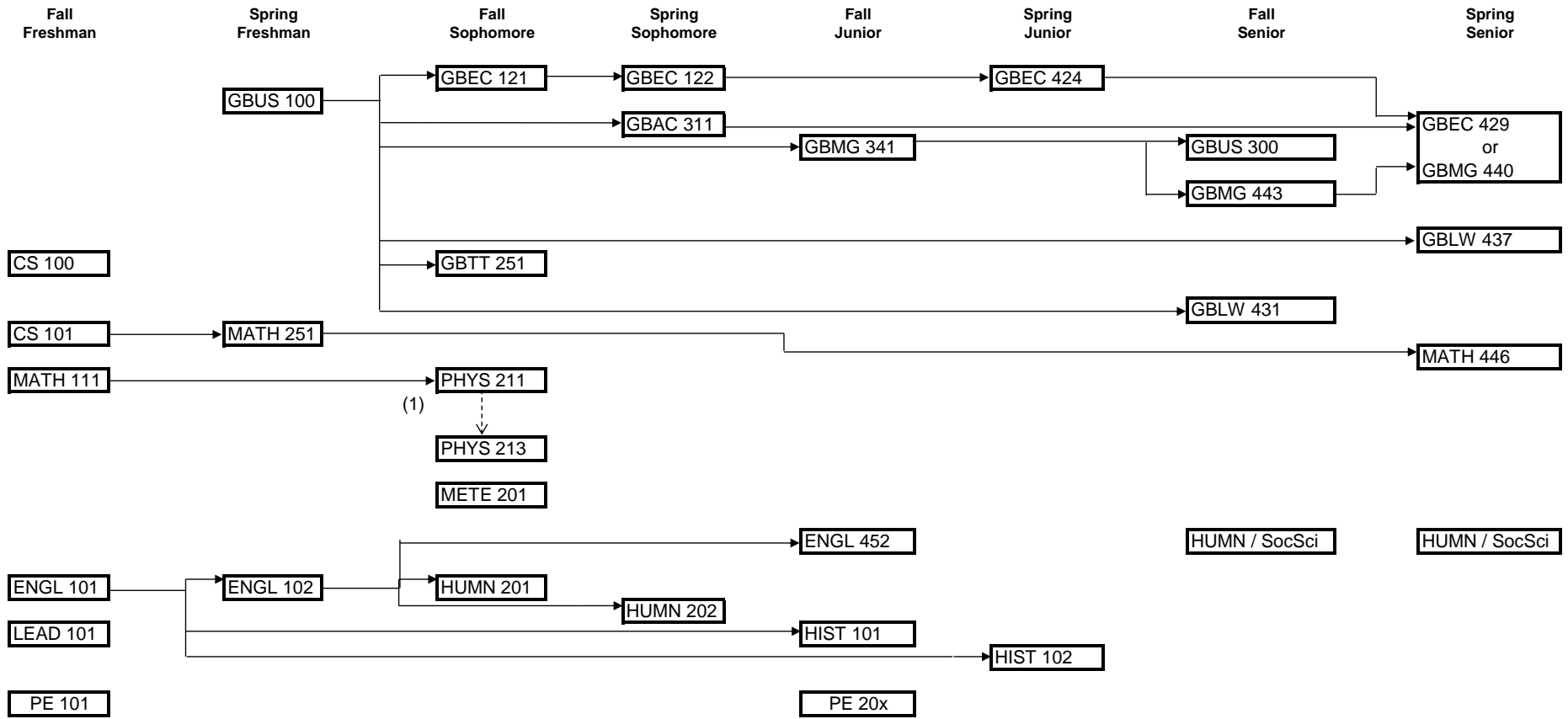


**Notes**

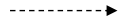
- (1) MT 521 (Cadet Observer) in lieu of MT 520.
- (2) Indicates co-requisite where the course, at the end without an arrow point, is a co-requisite with the course which the arrow points to. Also listed on MT Deck Course flow chart.
- (3) Corequisite is MATH 90.
- (4) Prerequisite for MT 322 is MT 250 or MT 321

# Marine Transportation - Deck License - Ship Management Minor Curriculum Flow Chart for Class of 2016

Edited 10/3/12



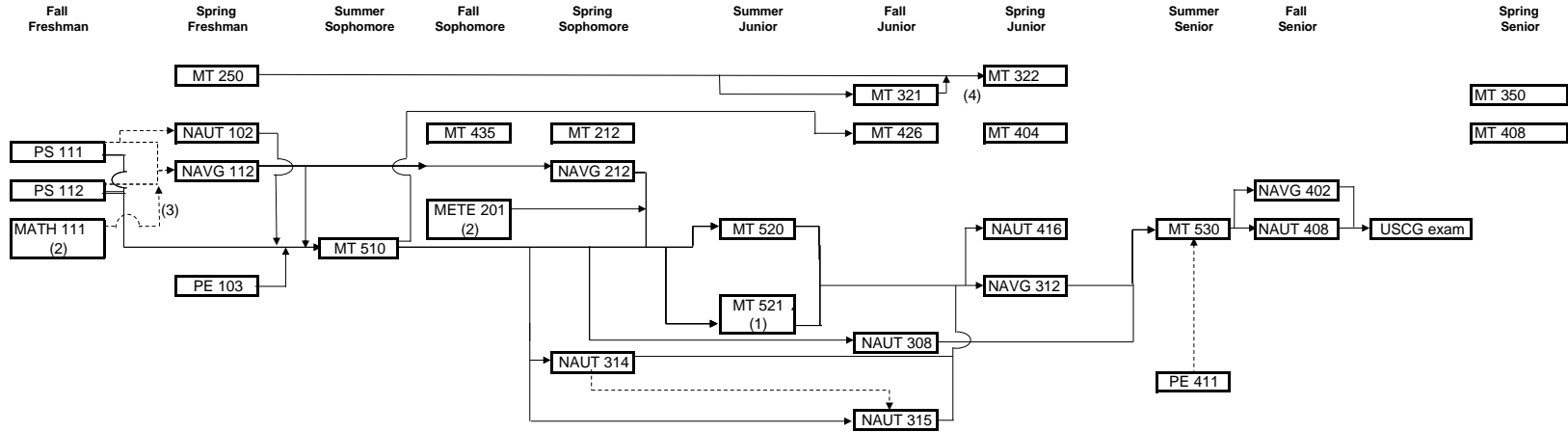
**Notes:**



Students must also take License courses as shown on the "MT USCG Deck License Flow Chart".  
 -----> Indicates co-requisite where the course, at the end without an arrow point, is a co-requisite with the course which the arrow points to.

## MT USCG Deck License Ship Management Minor Flow Chart for Class of 2016

Edited 11/4/12



**Notes**

- (1) MT 521 (Cadet Observer) in lieu of MT 520.
- > Indicates co-requisite where the course, at the end without an arrow point, is a co-requisite with the course which the arrow points to.
- (2) Also listed on MT Deck Course flow chart.
- (3) Corequisite is MATH 90.
- (4) Prerequisite for MT 322 is MT 250 or MT 321