

2013-2014

Degree Curricula

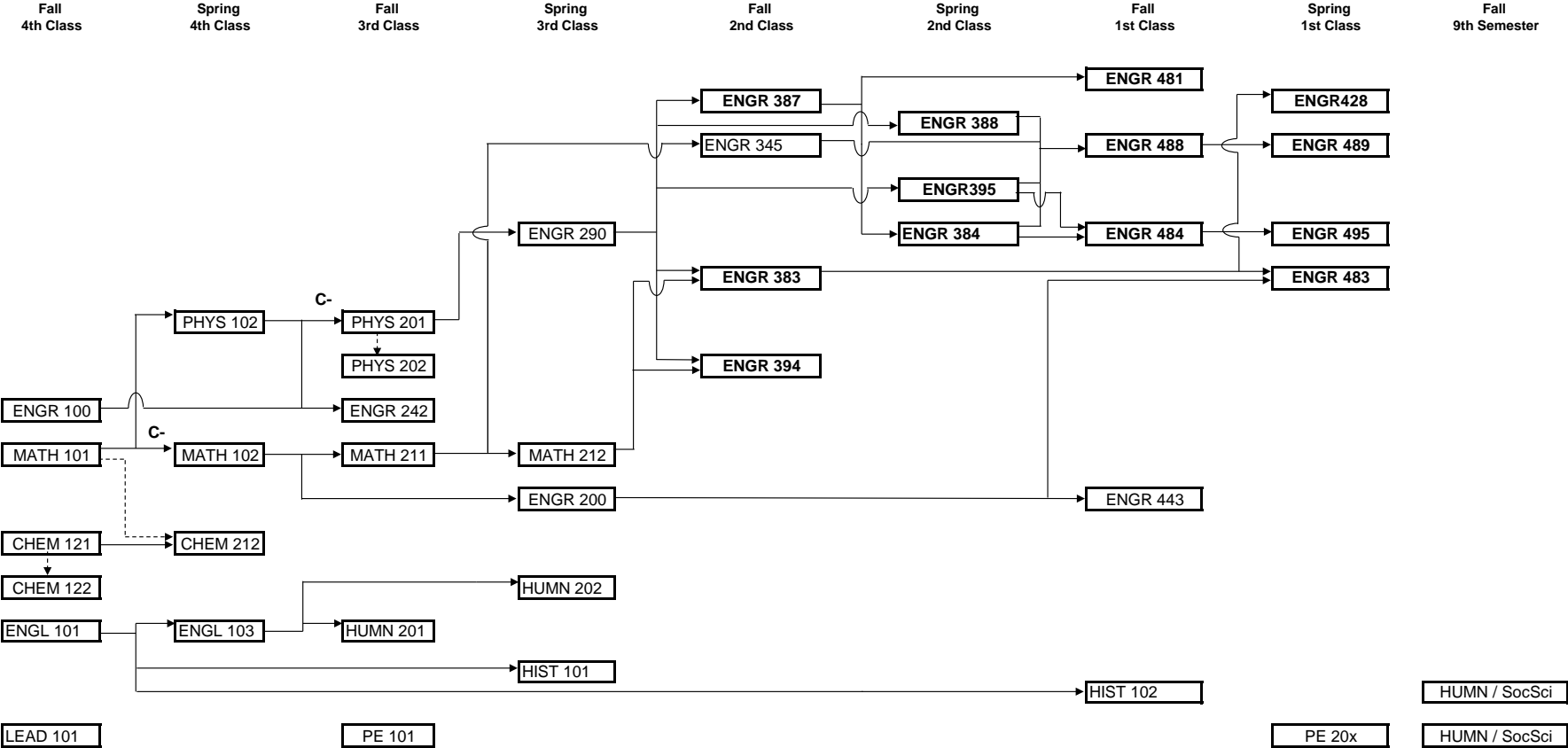
Flow Charts



B.E. Electrical Engineering - Deck License for Students Starting in Fall, 2013

Courses in **bold** are typically limited to the semester in which they appear.

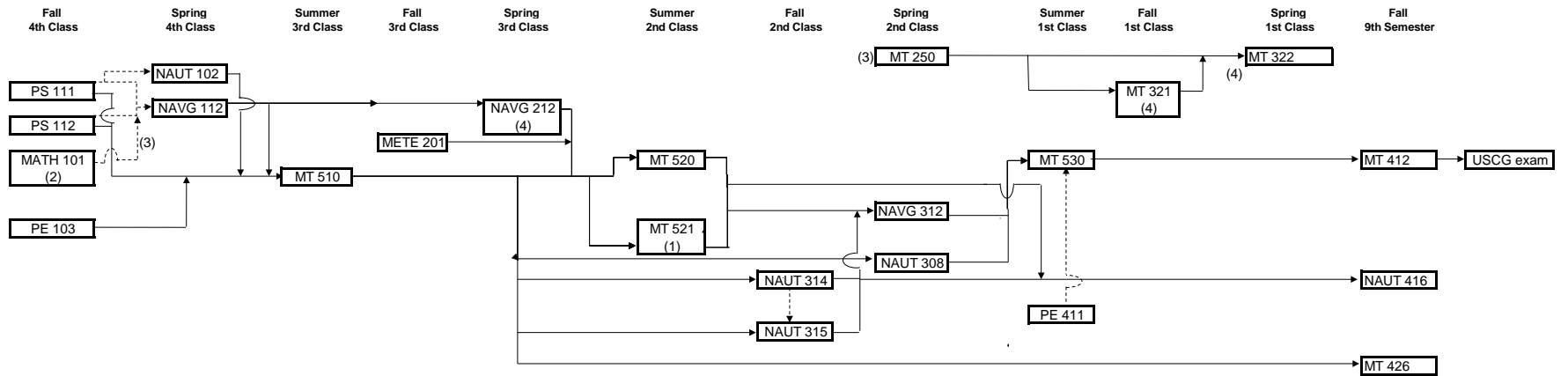
Edited 8/11/13



Note: USCg Deck License Students must also take License courses as shown on the "USCG Deck License Courses for B.E. in Electrical Engineering" Flow sheet.
 -----> Indicates co-requisite where the course, at the end without an arrow point, is a co-requisite with the course which the arrow points to.
 C- Students must have a minimum grade of C- in MATH 101 as a pre-requisite for MATH 102.
 C- Students must have a minimum grade of C- in PHYS 102 as a pre-requisite for PHYS 201.

USCG Deck License Courses for B.E. in Electrical Engineering for Students Starting in Fall, 2013

Edited 8/12/13



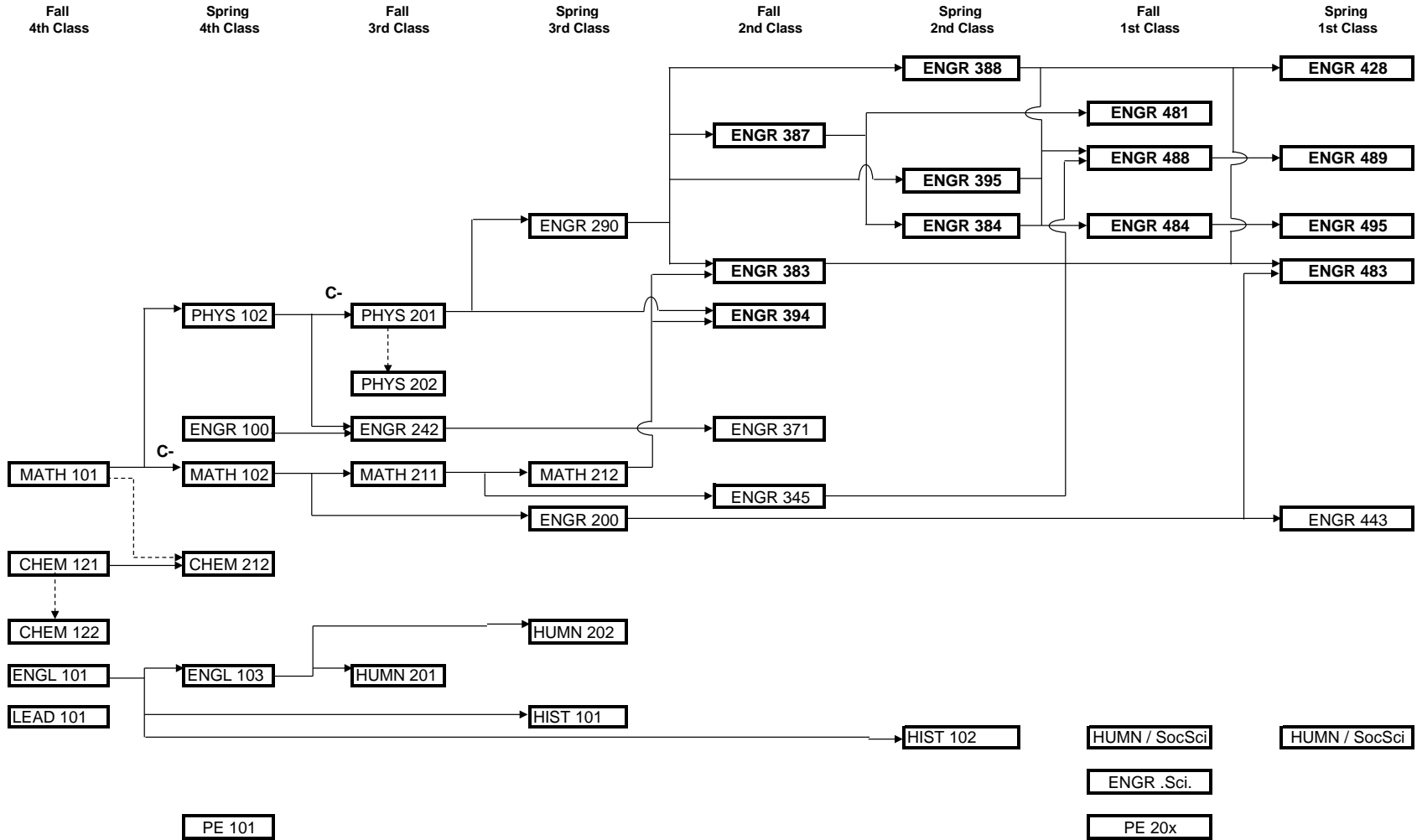
Notes

- (1) MT 521 (Cadet Commercial Vessel Shipping) in lieu of MT 520.
- Indicates co-requisite where the course, at the end without an arrow point, is a co-requisite with the course which the arrow points to.
- (2) Also listed on Marine Electrical and Electronic Deck Curriculum flow chart.
- (3) Corequisite is MATH 90.
- (4) Prerequisite for MT 322 is MT 250 or MT 321
- (4) Prerequisite is MATH 90

B.E. Electrical Engineering - Engine License for Students Starting in Fall, 2013

Courses in **bold** are typically limited to the semester in which they appear.

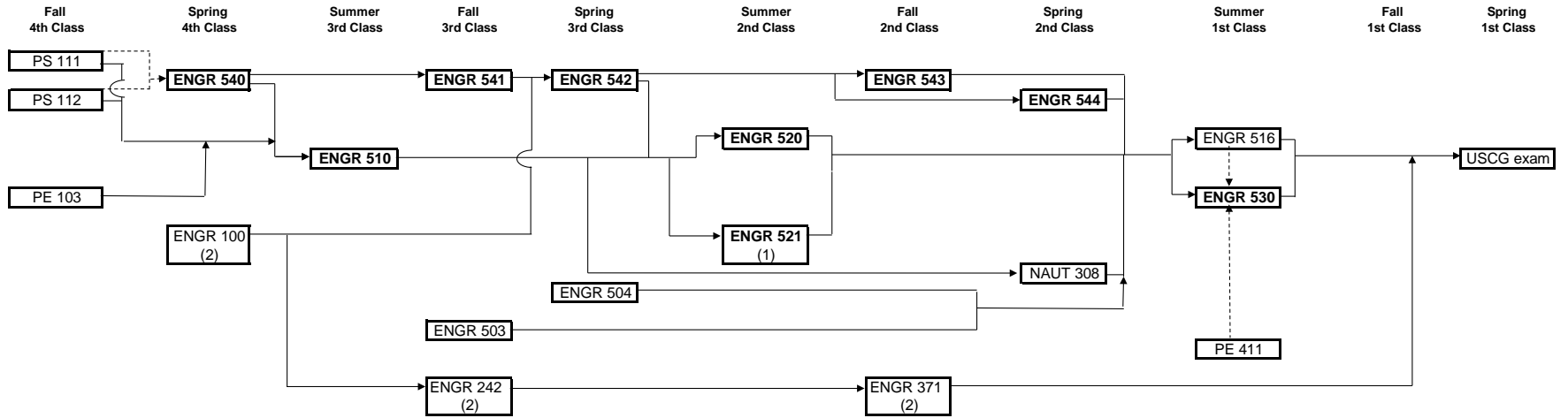
Edited 8/11/13



USCG Engine License Courses for B.E. in Electrical Engineering for Students Starting in Fall, 2013

Courses in **bold** are typically limited to the semester in which they appear.

Edited 8/12/13



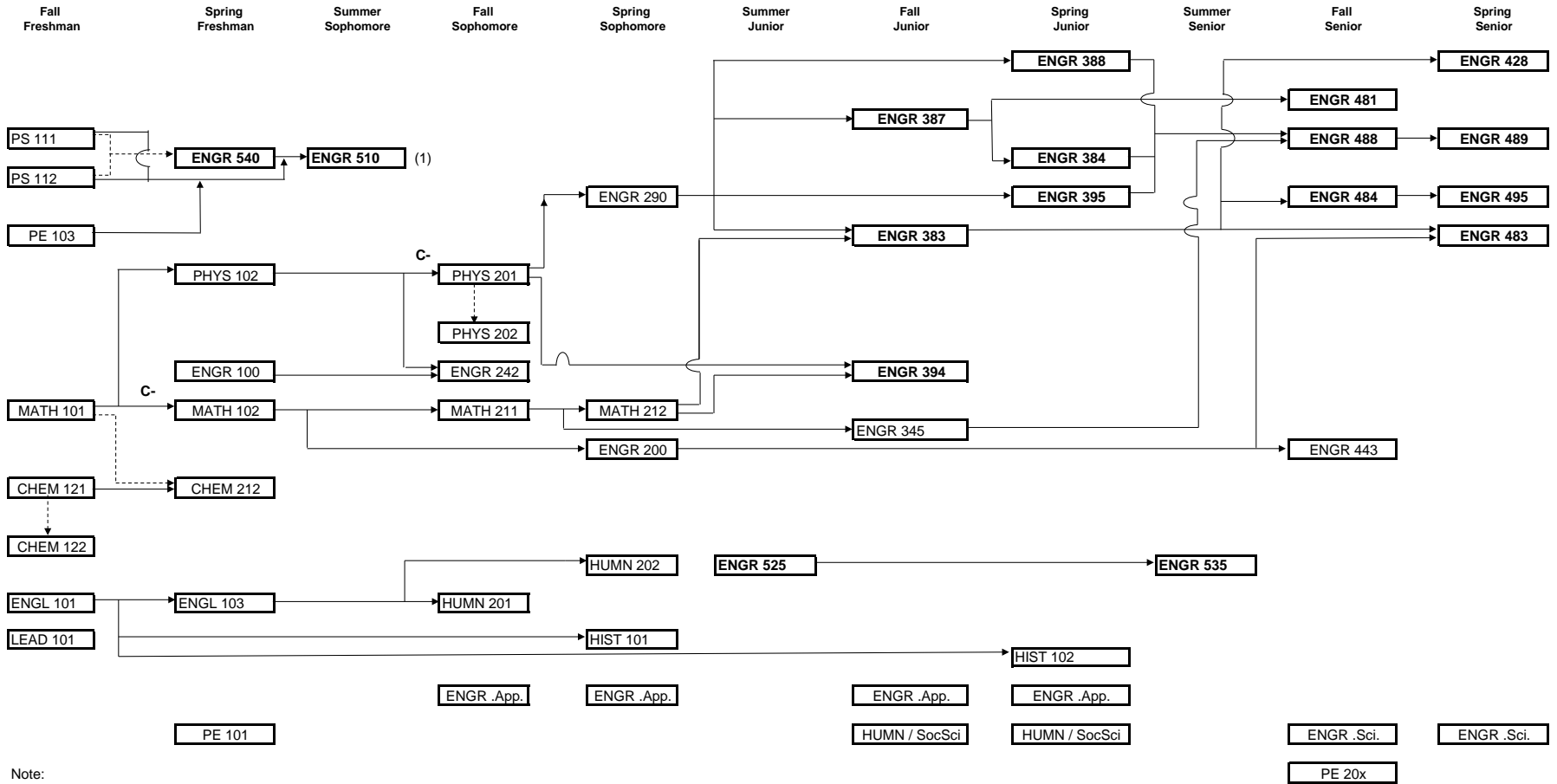
Notes

- (1) ENGR 521 (Cadet Commercial Vessel Shipping) in lieu of ENGR 520.
 - (2) Also listed on Electrical Engineering Curriculum flow chart.
- > Indicates co-requisite where the course, at the end without an arrow point, is a co-requisite with the course which the arrow points to.

B.E. Electrical Engineering - Intern Option for Students Starting in Fall, 2013

Courses in **bold** are typically limited to the semester in which they appear.

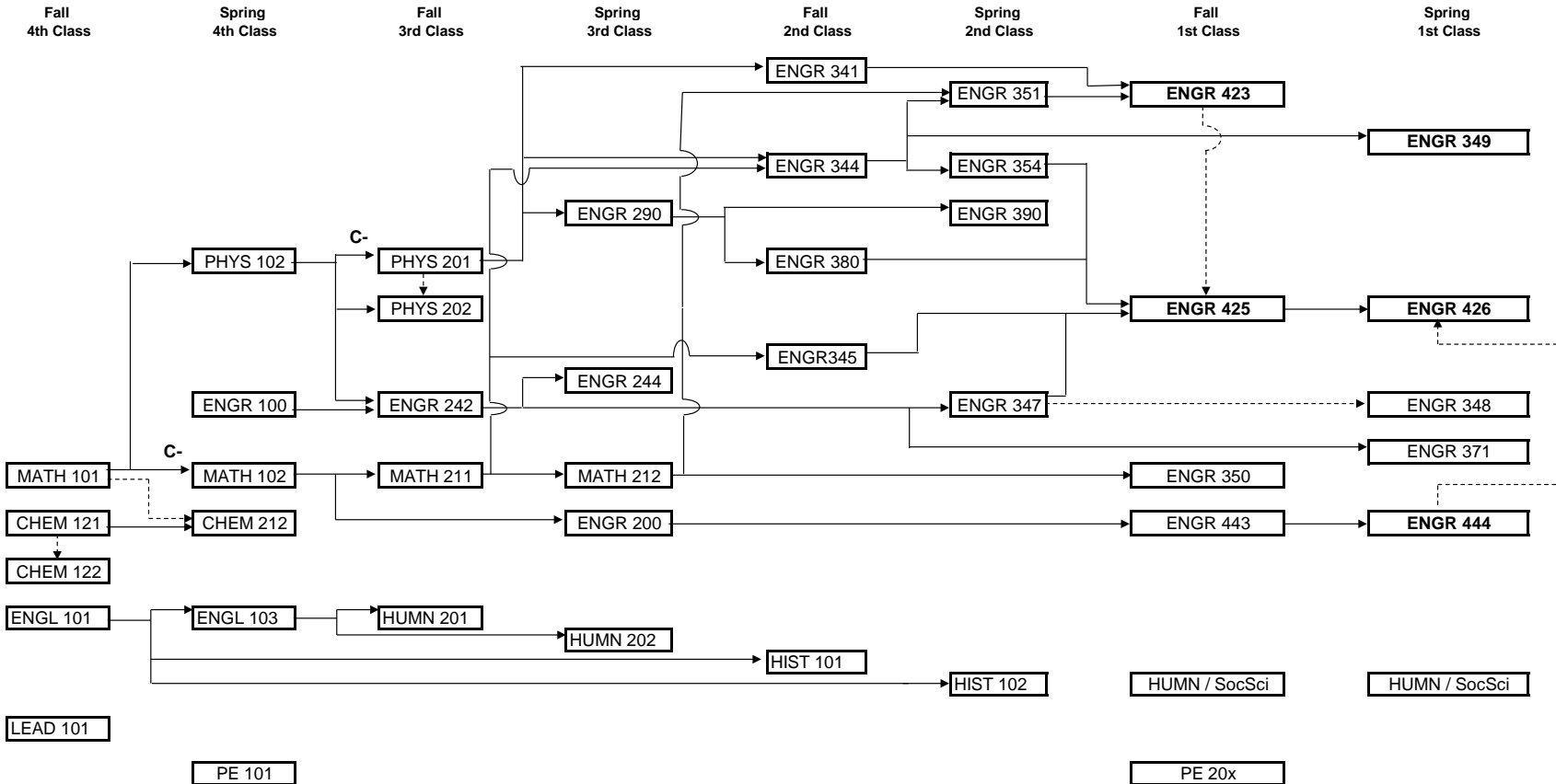
Edited 8/11/13



B.E. Facilities Engineering - Engine License for Students Starting in Fall, 2013

Courses in **bold** are typically limited to the semester in which they appear.

Edited 8/10/13



Note: USCG Engine License Students must also take License courses as shown on the "USCG Engine License Courses for B.E. in Facilities Engineering" Flow sheet.

-----> Indicates co-requisite where the course, at the end without an arrow point, is a co-requisite with the course which the arrow points to.

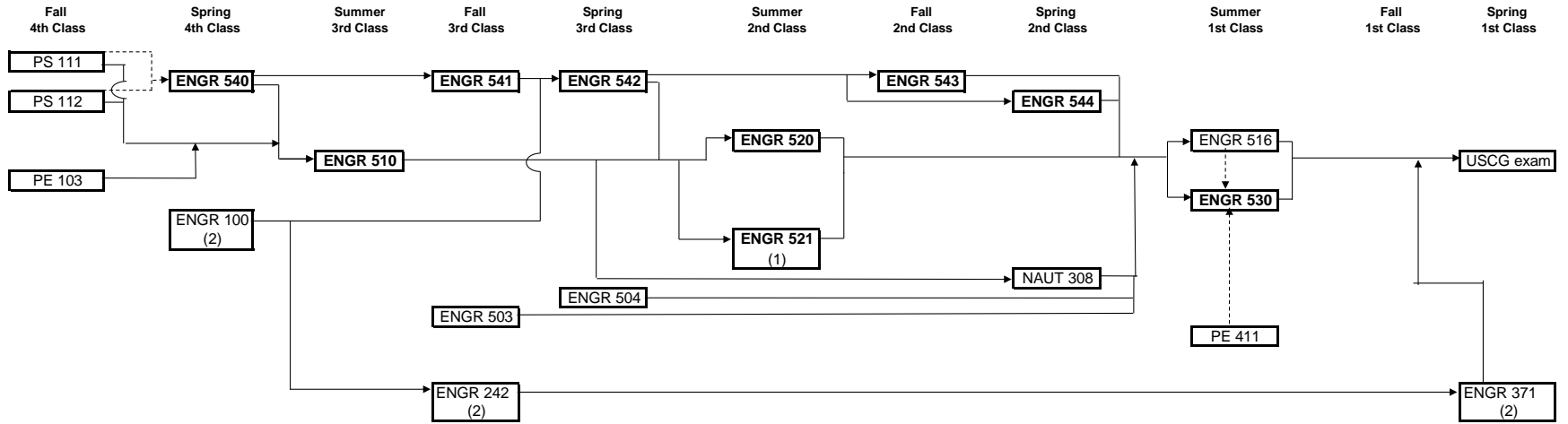
C- Students must have a minimum grade of C- in MATH 101 as a pre-requisite for MATH 102.

C- Students must have a minimum grade of C- in PHYS 102 as a pre-requisite for PHYS 201.

USCG Engine License Courses for B.E. in Facilities Engineering for Students Starting in Fall, 2013

Courses in **bold** are typically limited to the semester in which they appear.

Edited 8/12/13



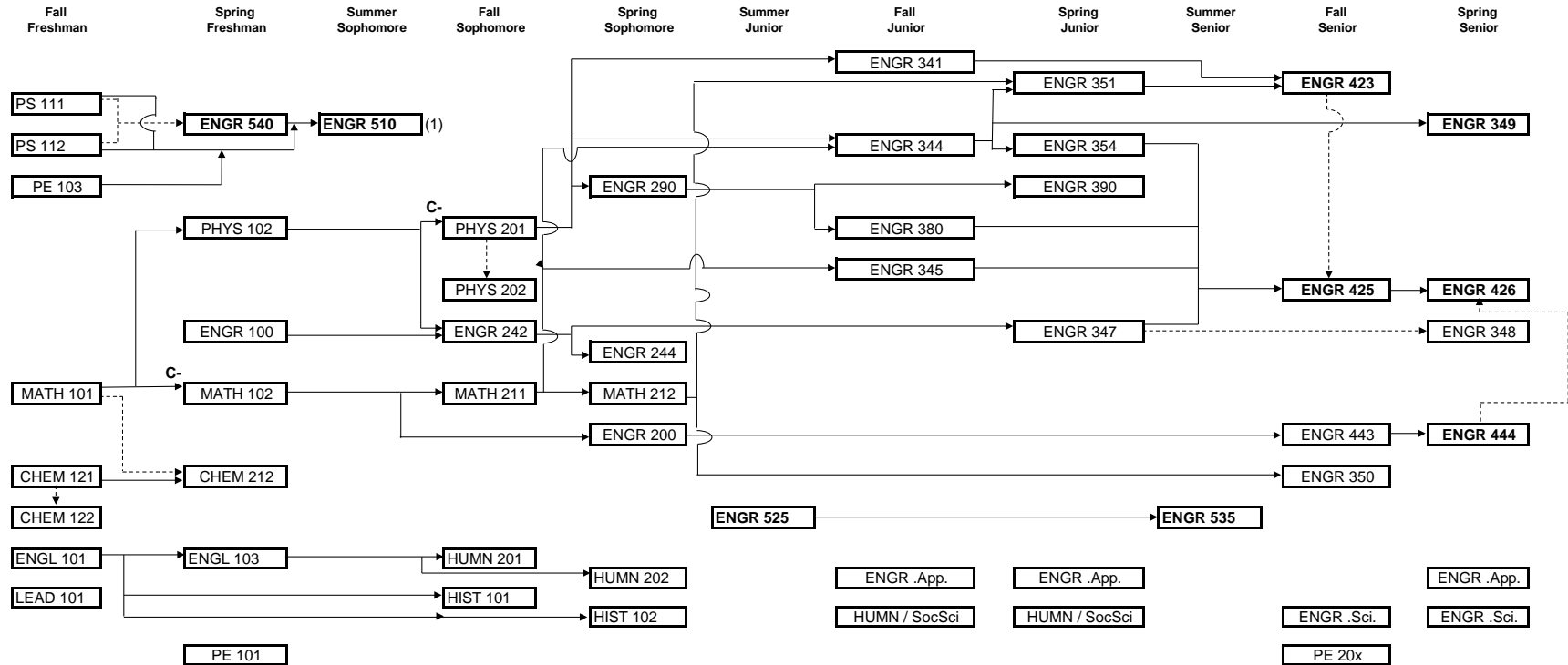
Notes

- (1) ENGR 521 (Cadet Commercial Vessel Shipping) in lieu of ENGR 520.
 - (2) Also listed on Facilities Engineering Curriculum flow chart.
- > Indicates co-requisite where the course, at the end without an arrow point, is a co-requisite with the course which the arrow points to.

B.E. Facilities Engineering - Intern Option for Students Starting in Fall, 2013

Courses in **bold** are typically limited to the semester in which they appear.

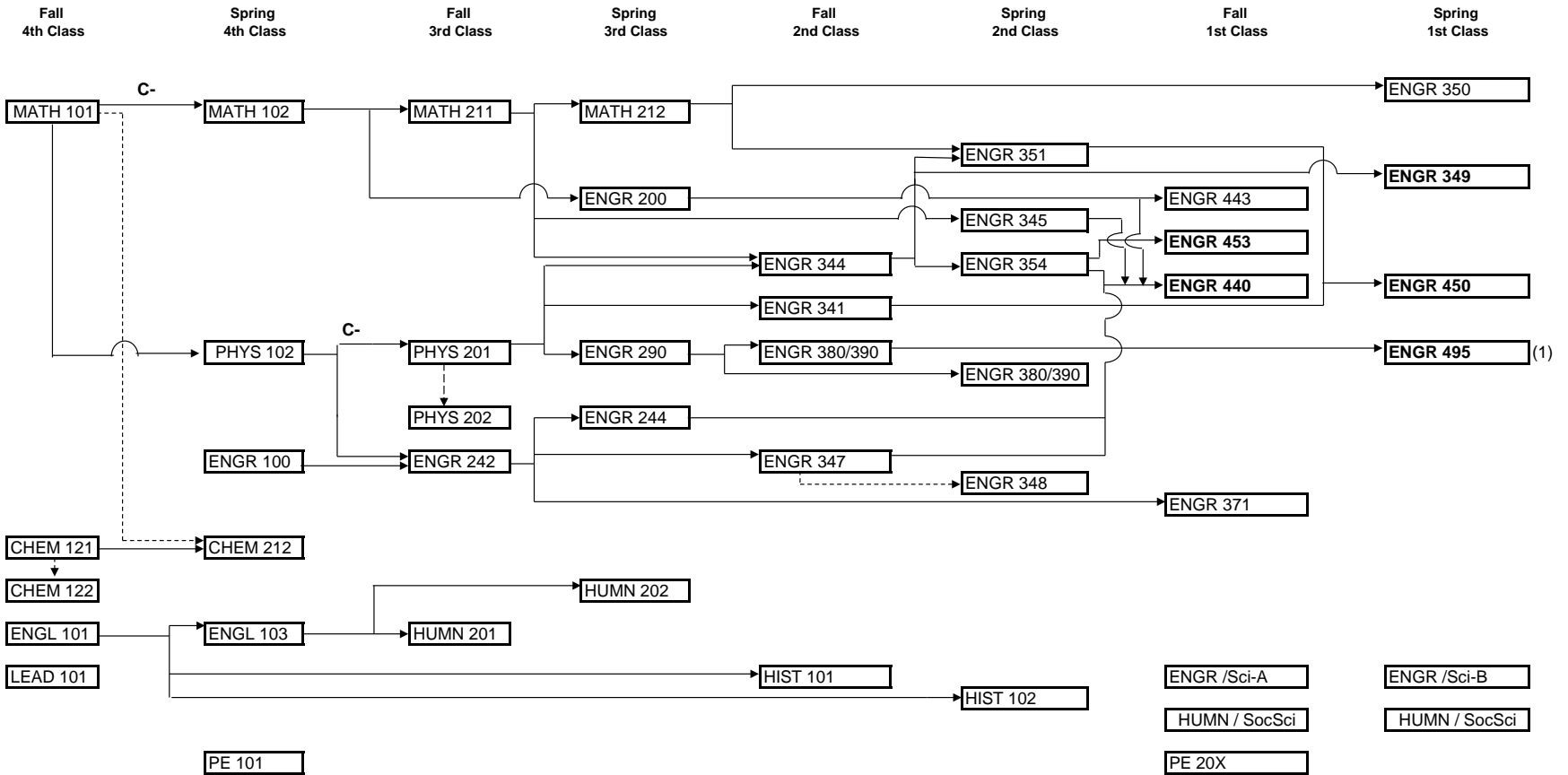
Edited 8/11/13



B.E. Marine Engineering - Engine License for 2016 Graduates

Courses in **bold** are typically limited to the semester in which they appear.

Edited 8/10/13



Notes:

(1)

ENGR 380 is the pre-requisite for ENGR 495.

Indicates co-requisite where the course, at the end without an arrow point, is a co-requisite with the course which the arrow points to. Students must also take Engine License courses as shown on the "USCG Engine License Courses for B.E. in Marine Engineering" Flow sheet.

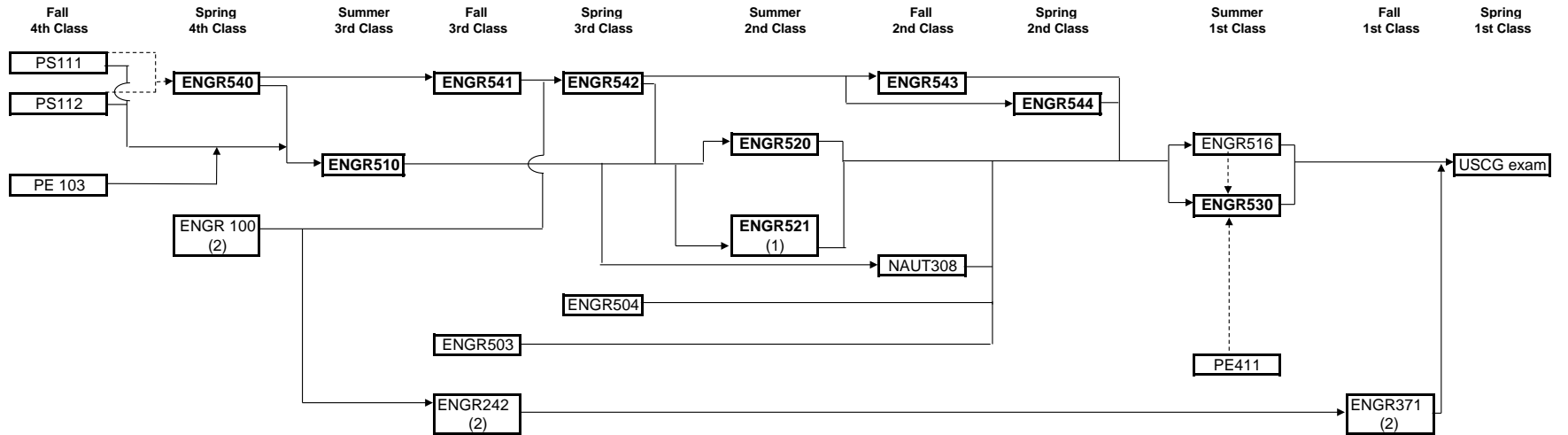
C- Students must have a minimum grade of C- in MATH 101 as a pre-requisite for MATH 102.

C- Students must have a minimum grade of C- in PHYS 102 as a pre-requisite for PHYS 201.

USCG Engine License Courses for B.E. in Marine Engineering for Students Starting in Fall, 2013

Courses in **bold** are typically limited to the semester in which they appear.

Edited 8/12/13



Notes

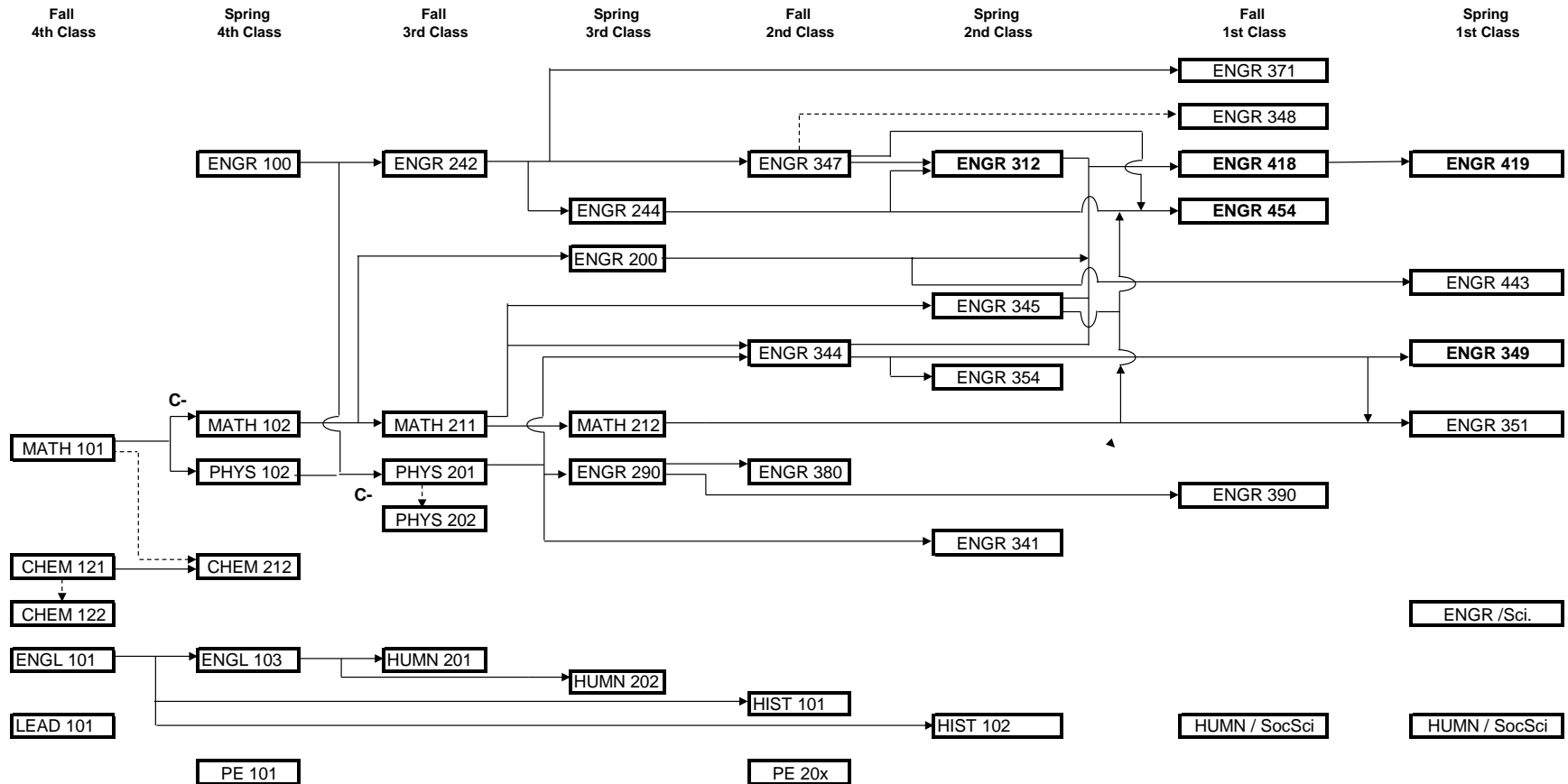
- (1) ENGR521 (Cadet Commercial Vessel Shipping) in lieu of ENGR520.
- (2) Also listed on Marine Engineering Program Curriculum flow chart.

-----> Indicates co-requisite where the course, at the end without an arrow point, is a co-requisite with the course which the arrow points to.

B.E. Mechanical Engineering - Engine License for Students Starting in Fall, 2013

Courses in **bold** are typically limited to the semester in which they appear.

Edited 8/10/13



Notes:

----->

C-

C-

USCG Engine License Students must also take License courses as shown on the "USCG Engine License Courses for B.E. in Mechanical Engineering" Flow sheet.

Indicates co-requisite where the course, at the end without an arrow point, is a co-requisite with the course which the arrow points to.

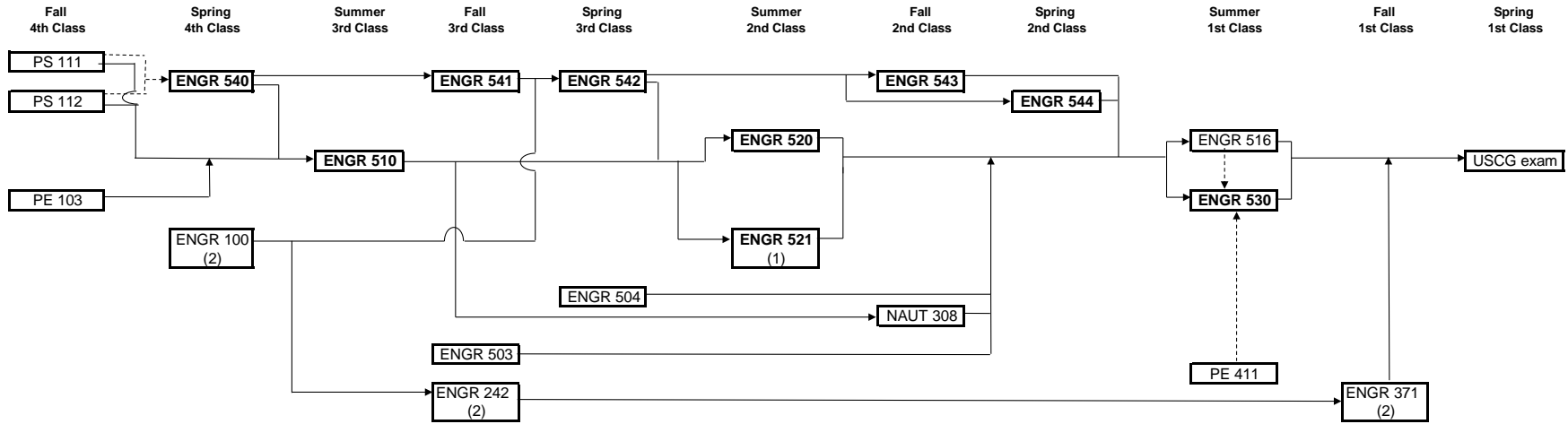
Students must have a minimum grade of C- in MATH 101 as a pre-requisite for MATH 102.

Students must have a minimum grade of C- in PHYS 102 as a pre-requisite for PHYS 201.

USCG Engine License Courses for B.E. in Mechanical Engineering for Students Starting in Fall, 2013

Courses in **bold** are typically limited to the semester in which they appear.

Edited 8/12/13



Notes

- (1) ENGR 521 (Cadet Commercial Vessel Shipping) in lieu of ENGR 520.
- (2) Also listed on Mechanical Engineering Curriculum flow chart.

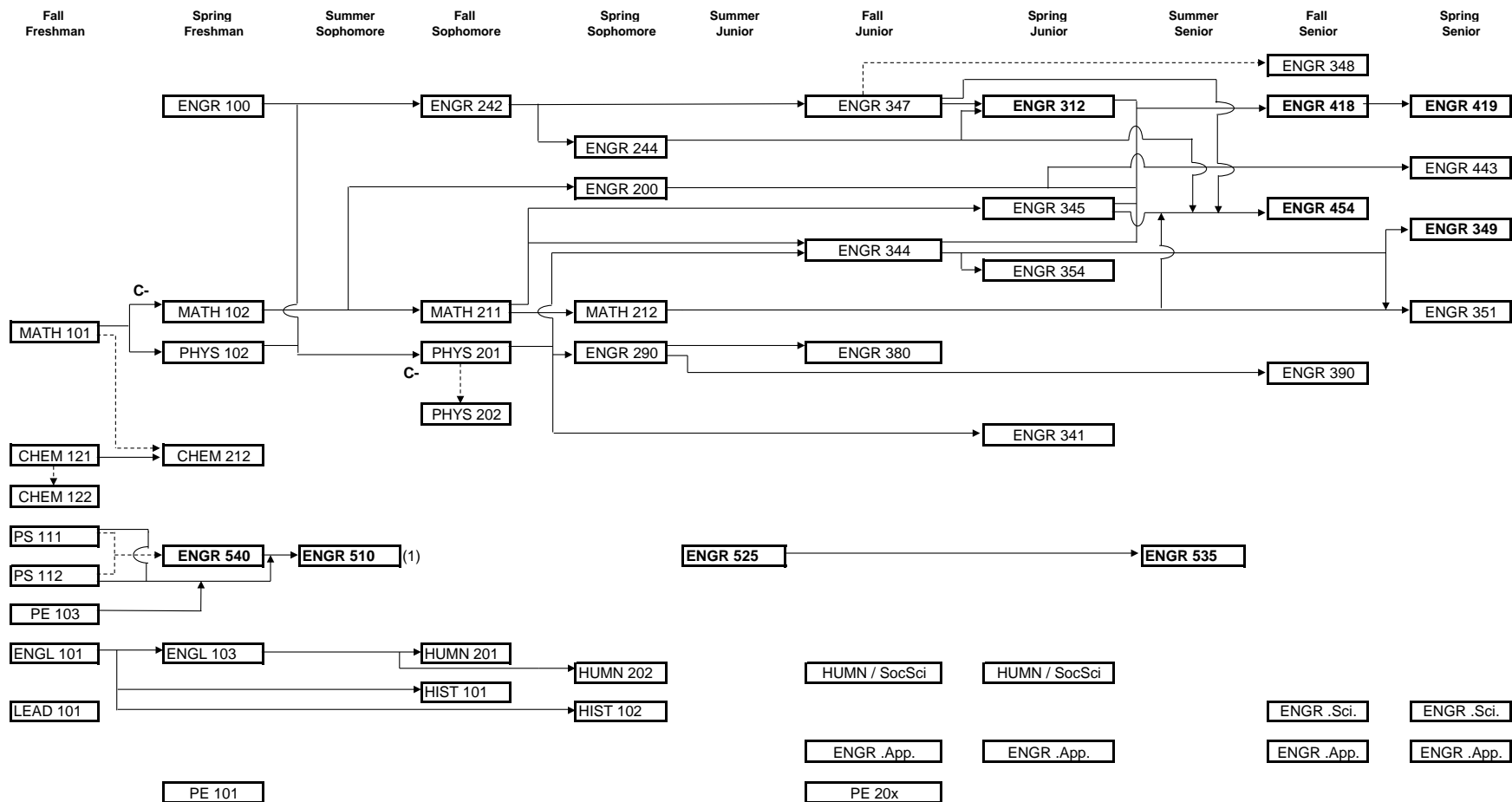


Indicates co-requisite where the course, at the end without an arrow point, is a co-requisite with the course which the arrow points to.

B.E. Mechanical Engineering - Intern Option for Students Starting in Fall, 2013

Courses in **bold** are typically limited to the semester in which they appear.

Edited 8/11/13



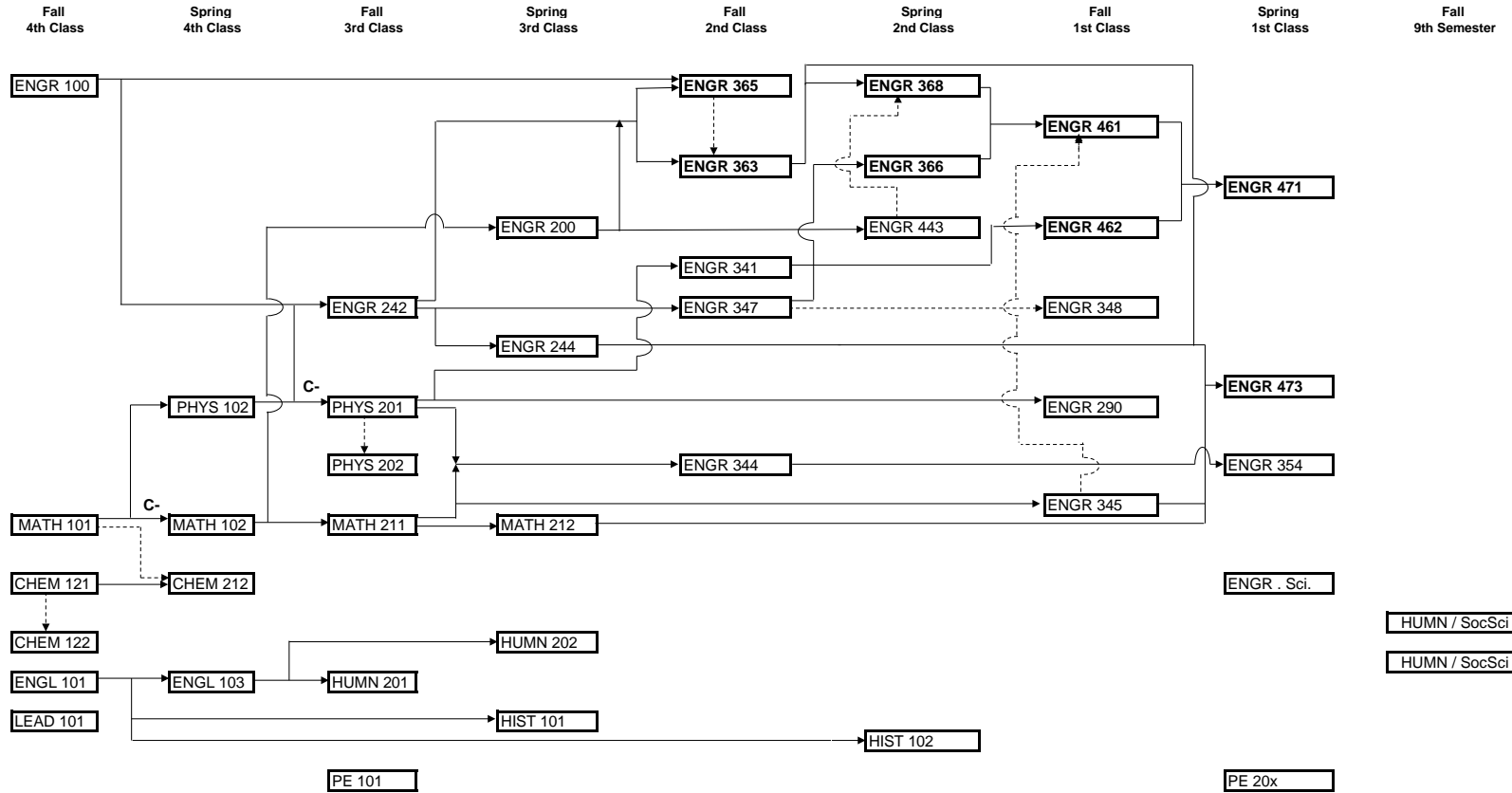
Notes:

- > Indicates co-requisite where the course, at the end without an arrow point, is a co-requisite with the course which the arrow points to.
- C- Students must have a minimum grade of C- in MATH 101 as a pre-requisite for MATH 102.
- C- Students must have a minimum grade of C- in PHYS 102 as a pre-requisite for PHYS 201.
- (1) Engineering Students pursuing the Intern Option may substitute 6 credits (Applied Engineering electives – typically in Jr., Sr. years) for ENGR 510. An Intern Option Student who is not in the Regiment is not permitted on the Training Ship and therefore must make this substitutio

B.E. Naval Architecture - Deck License for Students Starting in Fall, 2013

Courses in **bold** are typically limited to the semester in which they appear.

Edited 8/11/13



Notes:

----->

USCG Deck License Students must also take License courses as shown on the "USCG Deck License Courses for B.E. in Naval Architecture" flow sheet.

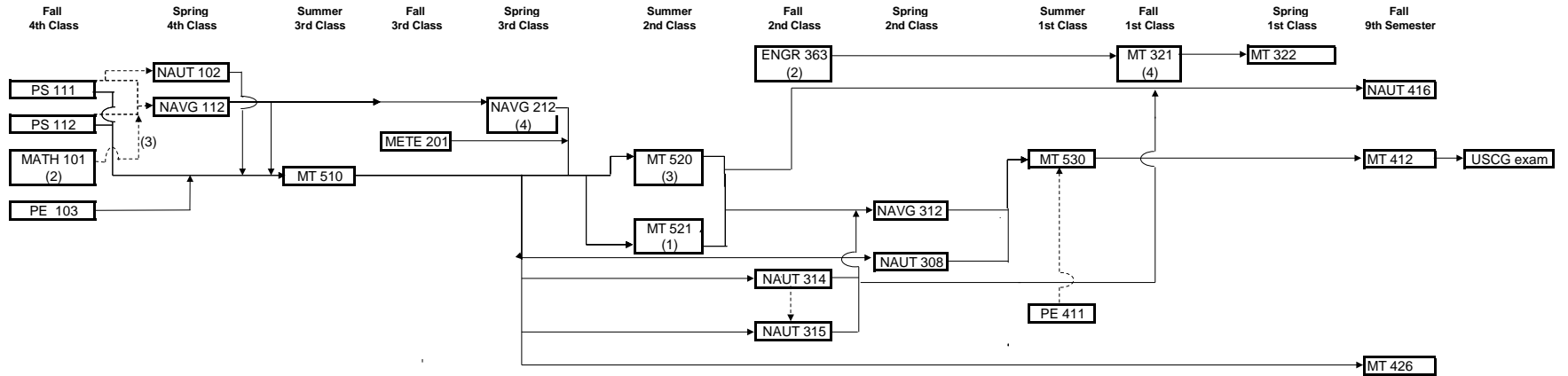
Indicates co-requisite where the course, at the end without an arrow point, is a co-requisite with the course which the arrow points to.

C- Students must have a minimum grade of C- in MATH 101 as a pre-requisite for MATH 102.

C- Students must have a minimum grade of C- in PHYS 102 as a pre-requisite for PHYS 201.

USCG Deck License Courses for B.E. in Naval Architecture for Students Starting in Fall, 2013

Edited 8/12/13



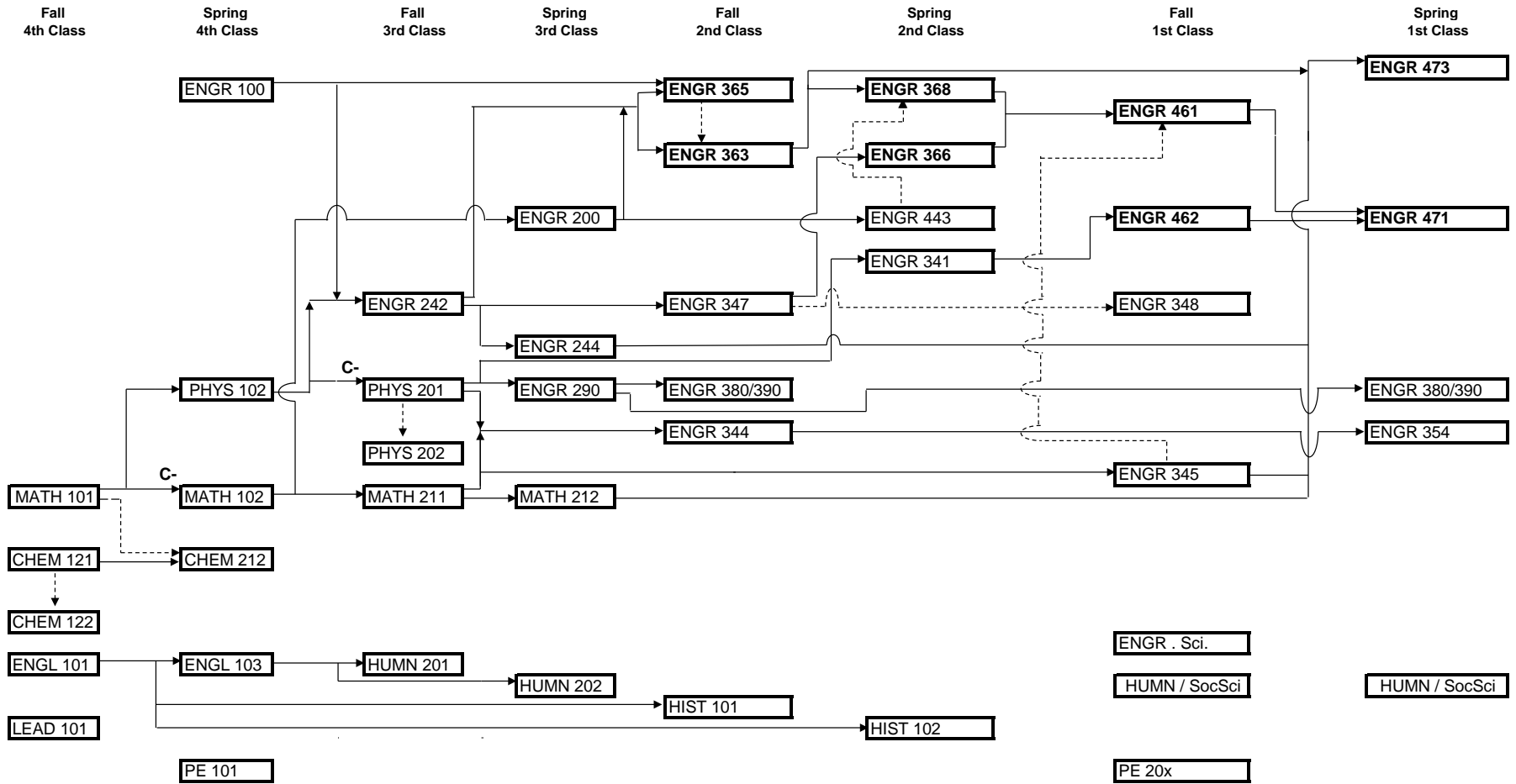
Notes

- (1) MT 521 (Cadet Commercial Vessel Shipping) in lieu of MT 520.
- > (2) Indicates co-requisite where the course, at the end without an arrow point, is a co-requisite with the course which the arrow points to.
- (3) Also listed on Naval Architecture Deck Curriculum flow chart.
- (4) Corequisite is MATH 90.
- (4) Prerequisite is MATH 90

B.E. Naval Architecture - Engine License for Students Starting in Fall, 2013

Courses in **bold** are typically limited to the semester in which they appear.

Edited 8/11/13



Notes:

----->

C-

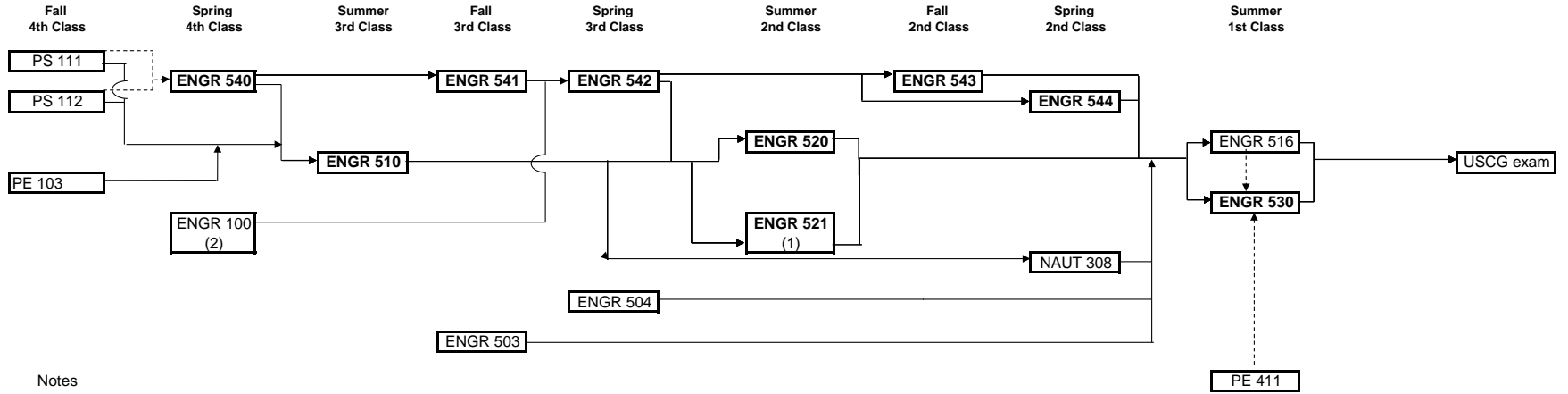
C-

USCG Engine License Students must also take License courses as shown on the "USCG Engine License Courses for B.E. in Naval Architecture" Flow sheet. Indicates co-requisite where the course, at the end without an arrow point, is a co-requisite with the course which the arrow points to. Students must have a minimum grade of C- in MATH 101 as a pre-requisite for MATH 102. Students must have a minimum grade of C- in PHYS 102 as a pre-requisite for PHYS 201.

USCG Engine License Courses for B.E. in Naval Architecture for Students Starting in Fall, 2013

Courses in **bold** are typically limited to the semester in which they appear.

Edited 8/12/13



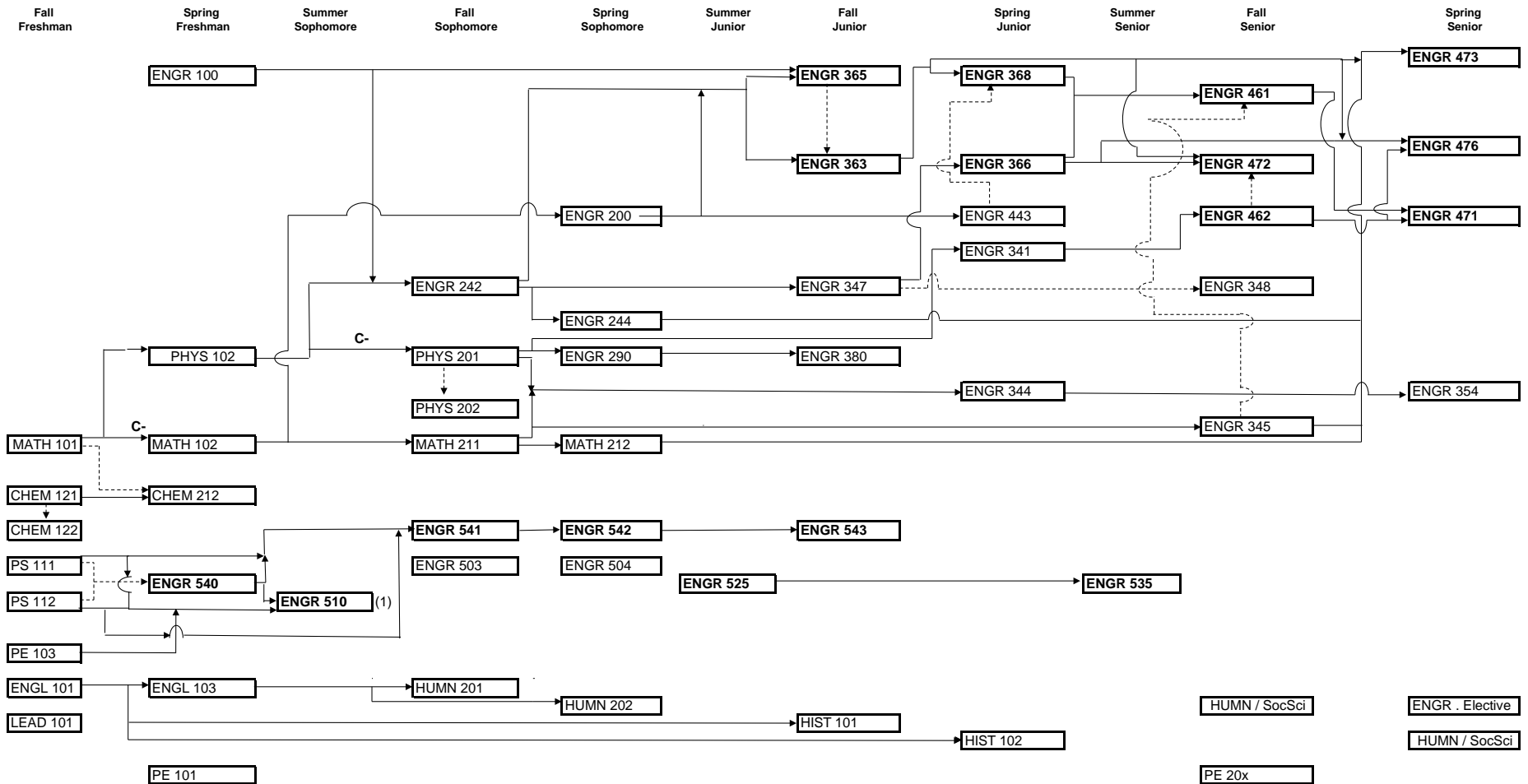
Notes

- (1) ENGR 521 (Cadet Commercial Vessel Shipping) in lieu of ENGR 520.
- - - - -> Indicates co-requisite where the course, at the end without an arrow point, is a co-requisite with the course which the arrow points to.

B.E. Naval Architecture - Intern Option for Students Starting in Fall, 2013

Courses in **bold** are typically limited to the semester in which they appear.

Edited 8/11/13

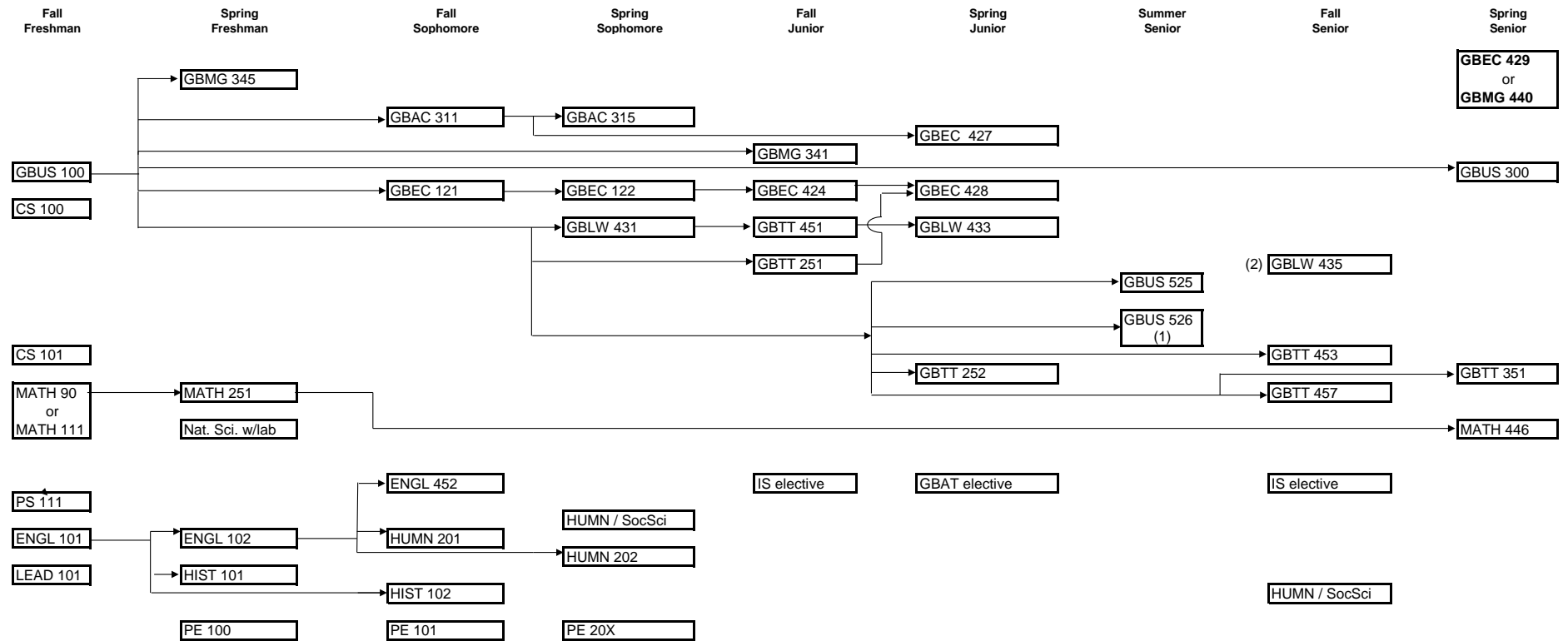


Notes:
 -----> Indicates co-requisite where the course, at the end without an arrow point, is a co-requisite with the course which the arrow points to.
 C- Students must have a minimum grade of C- in MATH 101 as a pre-requisite for MATH 102.
 C- Students must have a minimum grade of C- in PHYS 102 as a pre-requisite for PHYS 201.
 (1) Engineering Students pursuing the Intern Option may substitute 6 credits (Applied Engineering electives – typically in Jr., Sr. years) for ENGR 510. An Intern Option Student who is not in the Regiment is not permitted on the Training Ship and therefore must make this substitution.

ITT Intern Curriculum Flow Chart for Students Starting in Fall, 2013

Edited 8/12/13

Courses in **bold** are typically limited to the semester in which they appear.

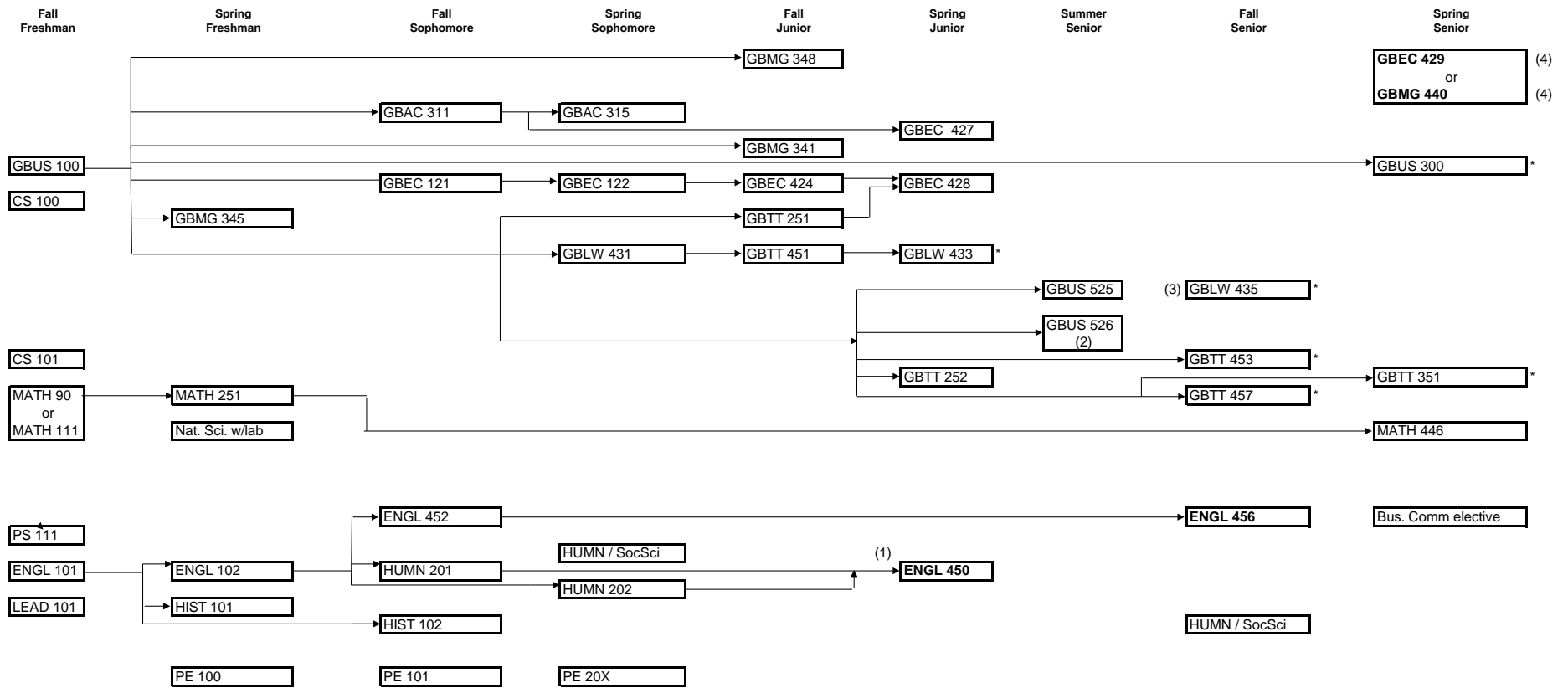


Notes: (1) GBUS 526 ITT Study Abroad in lieu of GBUS 525

ITT Intern Business Communications Minor Curriculum Flow Chart for Students Starting in Fall, 2013

Edited 8/12/13

Courses in **bold** are typically limited to the semester in which they appear.



Notes:

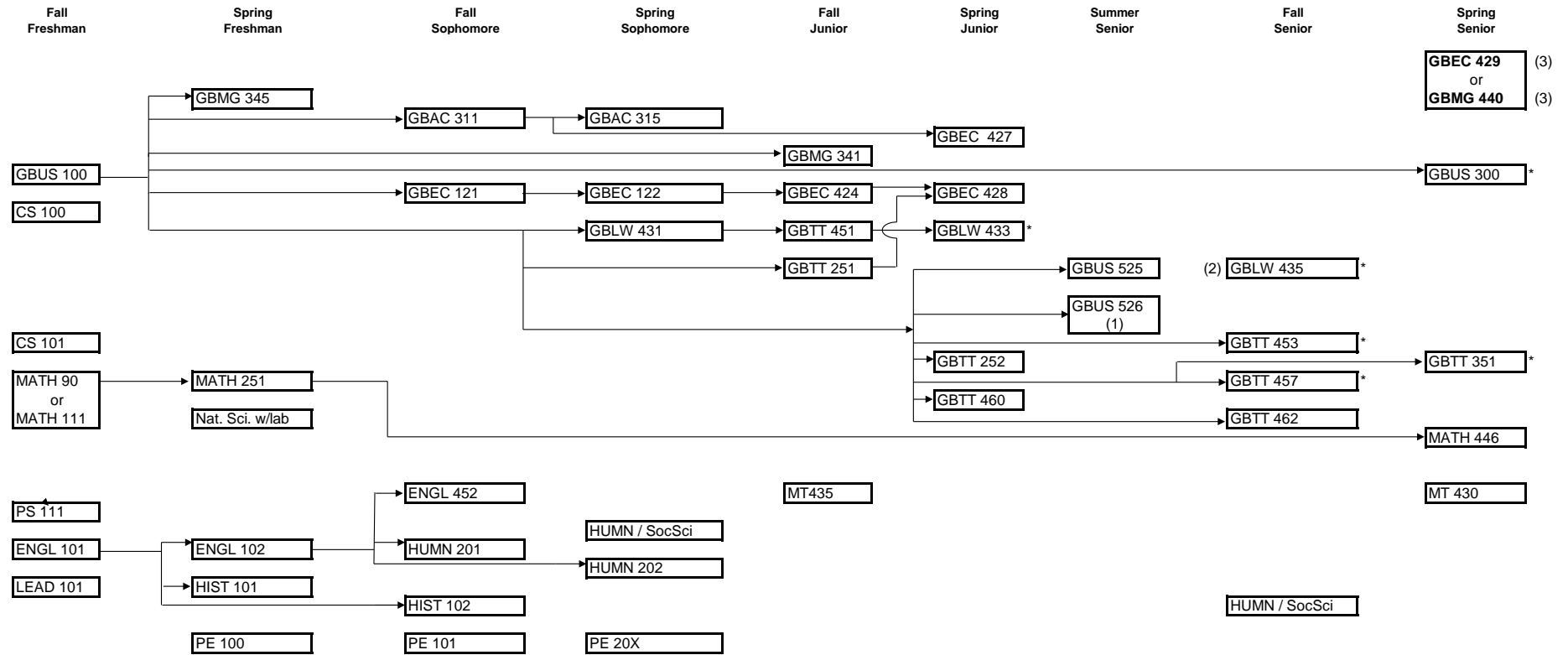
(1) Prerequisite is HUMN 201 or 202.

* Students will meet with advisor to replace one of these courses by a Business Communications elective.

ITT Intern Intermodal & Maritime Security Minor Curriculum Flow Chart for Students Starting in Fall, 2013

Edited 8/12/13

Courses in **bold** are typically limited to the semester in which they appear.



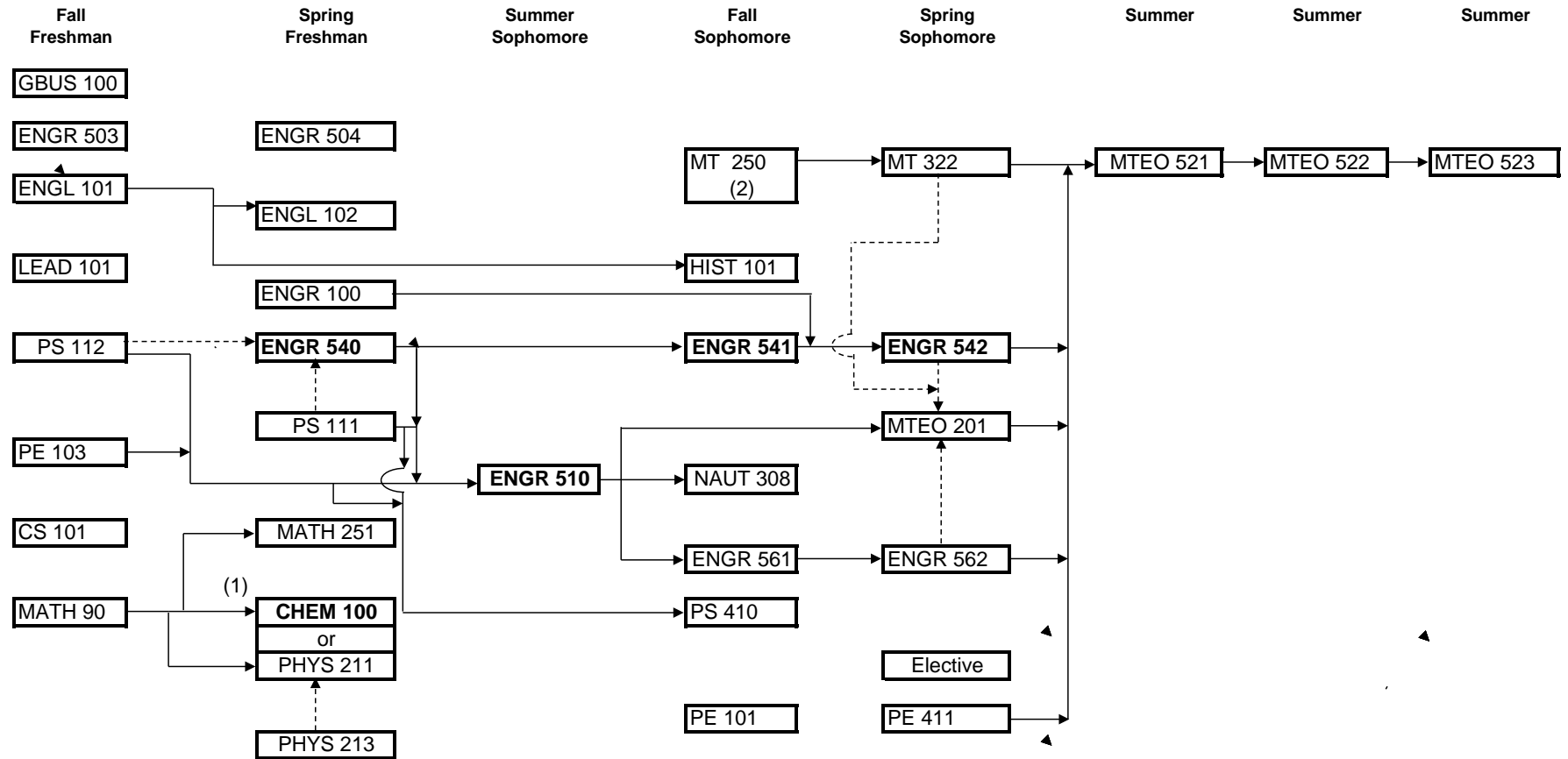
Notes:

* Students will meet with advisor to replace one of these courses by GBTT 465.

Marine Technology: Assistant Engineer Limited License Curriculum Flow Chart for Students Starting in Fall, 2013

Courses in **bold** are typically limited to the semester in which they appear.

Edited 8/11/13



Notes

-----> Indicates co-requisite where the course, at the end without an arrow point, is a co-requisite with the course which the arrow points to.

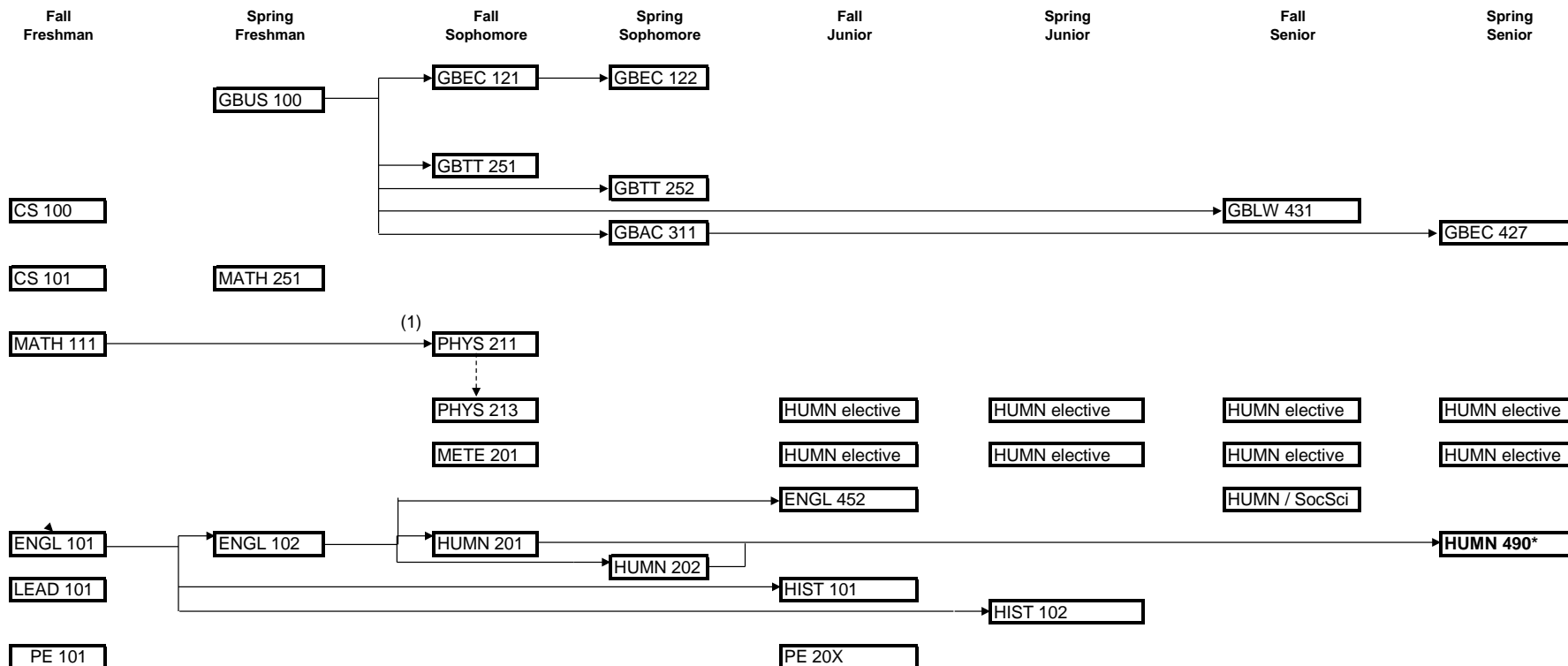
(1) Prerequisite for CHEM 100 is MATH 80

(2) Corequisite is MATH 90.

Marine Business & Commerce Humanities Minor Deck License Curriculum Flow Chart for Students Starting in Fall, 2013

Courses in **bold** are typically limited to the semester in which they appear.

Edited 8/11/13



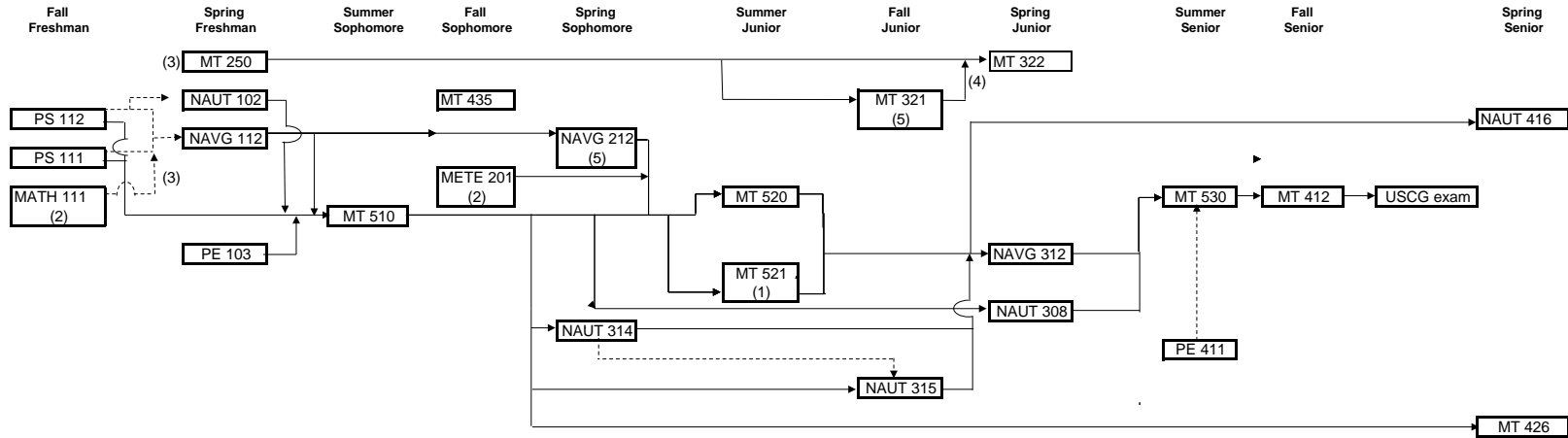
Notes:

----->
(1)

USCG Deck License Students must also take License courses as shown on the Marine Business & Commerce USCG Deck License Flow sheet.
 -----> Indicates co-requisite where the course, at the end without an arrow point, is a co-requisite with the course which the arrow points to.
 (1) Prerequisite is MATH 90.

Marine Business & Commerce USCG Deck License Curriculum Flow Chart for Students Starting in Fall, 2013

Edited 8/12/13



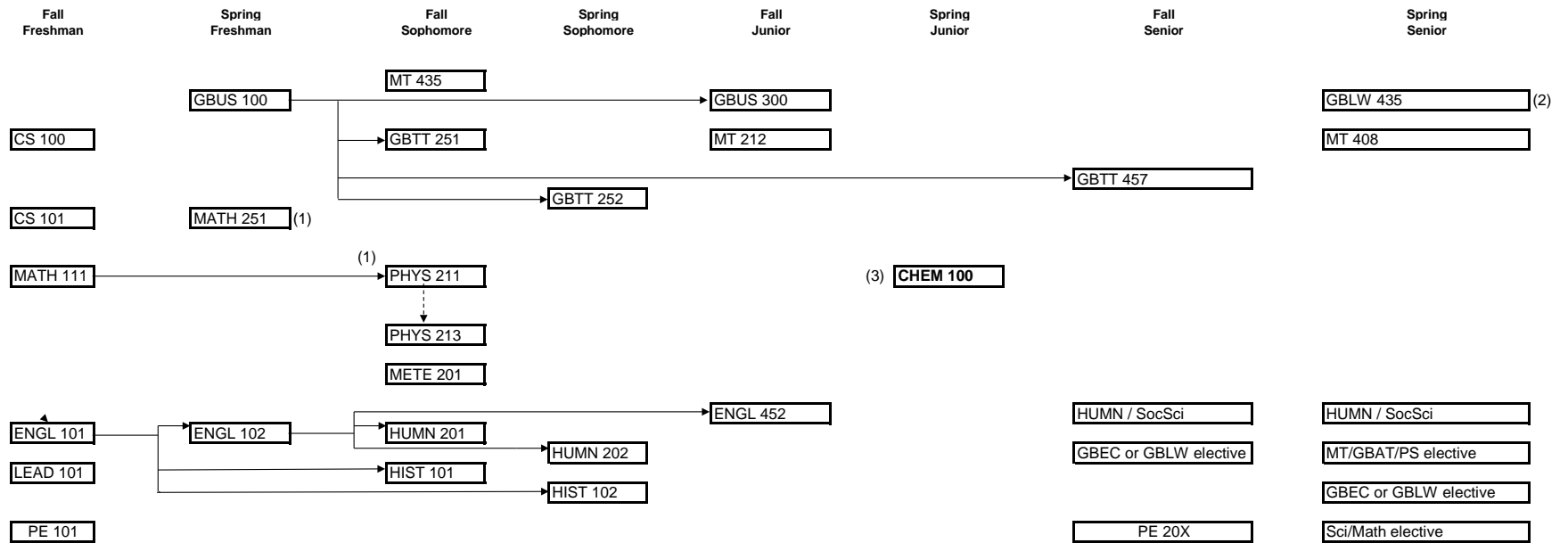
Notes

- (1) MT 521 (Cadet Commercial Vessel Shipping) in lieu of MT 520.
- > Indicates co-requisite where the course, at the end without an arrow point, is a co-requisite with the course which the arrow points to.
- (2) Also listed on Marine Business & Commerce Humanities Minor Deck Course flow chart.
- (3) Corequisite is MATH 90.
- (4) Prerequisite for MT 322 is MT 250 or MT 321
- (5) Prerequisite is MATH 90.

Marine Operations Deck License Curriculum Flow Chart for Students Starting in Fall, 2013

Courses in **bold** are typically limited to the semester in which they appear.

Edited 8/11/13



Notes:



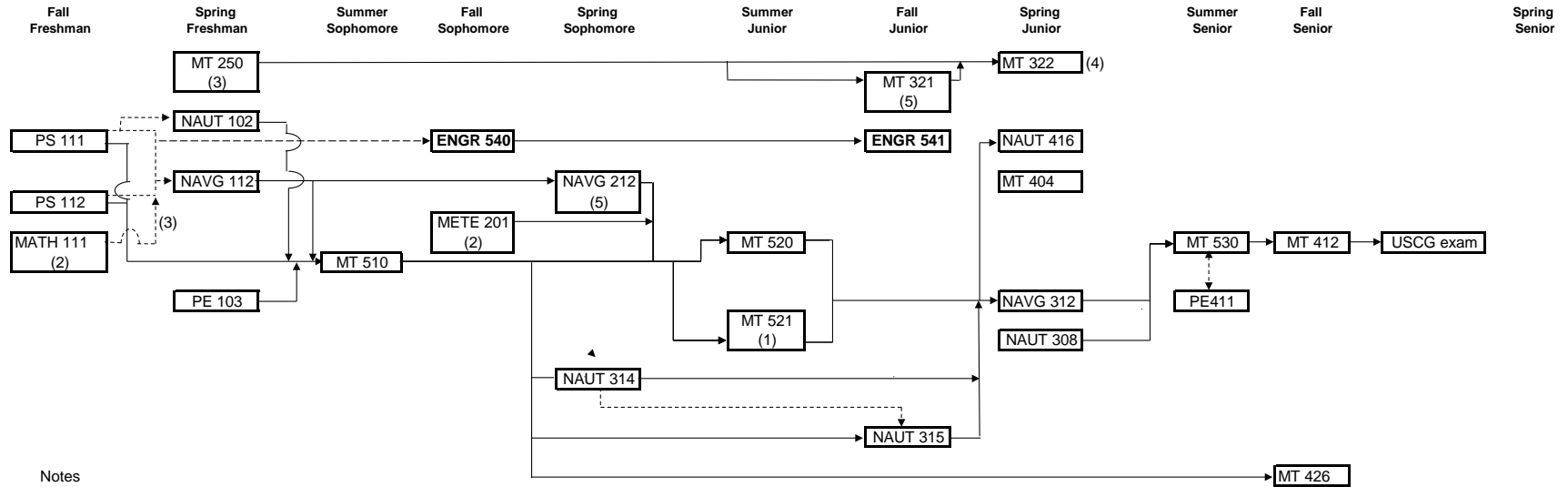
- (1)
- (2)
- (3)

USCG Deck License students must also take License courses as shown on the "Marine Operations USCG Deck License Curriculum" Flow Chart.
 Indicates co-requisite where the course, at the end without an arrow point, is a co-requisite with the course which the arrow points to.
 (1) Prerequisite is MATH 90.
 (2) Prerequisite is Second Class standing.
 (3) Prerequisite is MATH 80.

Marine Operations USCG Deck License Curriculum Flow Chart for Students Starting in Fall, 2013

Courses in **bold** are typically limited to the semester in which they appear.

Edited 8/12/13



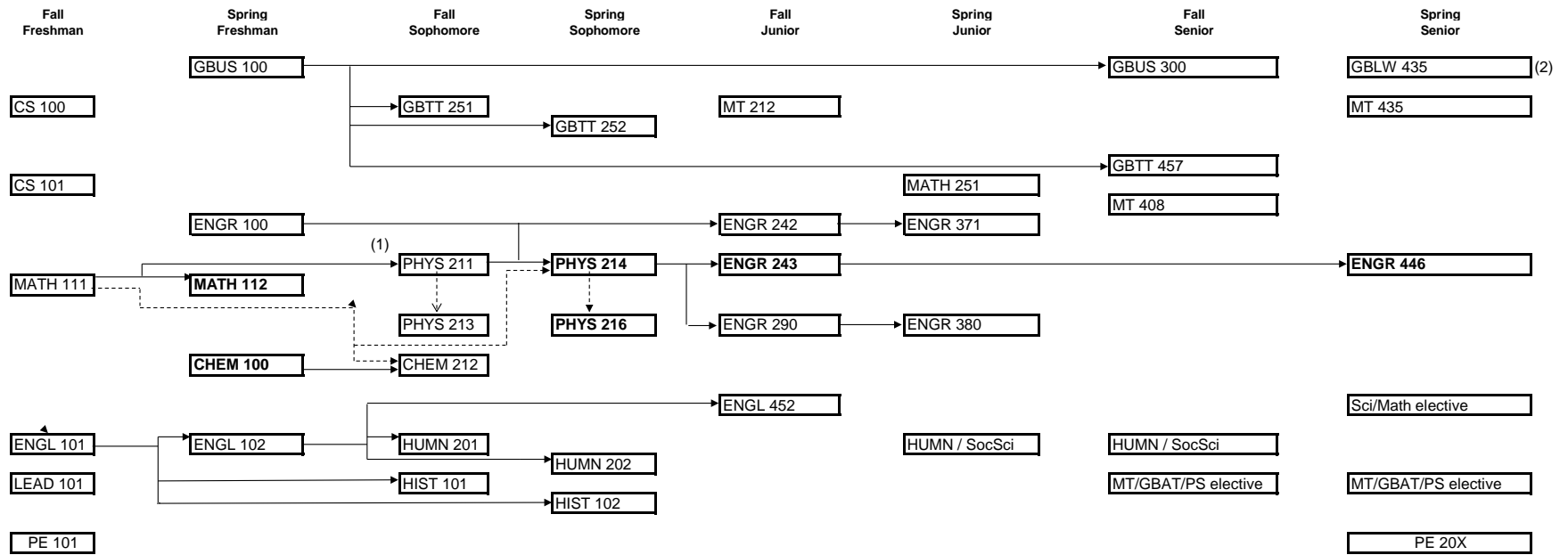
Notes

- (1) MT 521 (Cadet Commercial Vessel Shipping) in lieu of MT 520.
- Indicates co-requisite where the course, at the end without an arrow point, is a co-requisite with the course which the arrow points to.
- (2) Also listed on Marine Operations Deck License Curriculum flow chart.
- (3) Co-requisite is MATH 90.
- (4) Prerequisite for MT 322 is MT 250 or MT 321
- (5) Prerequisite is MATH 90.

Marine Operations Engine License Curriculum Flow Chart for Students Starting in Fall, 2013

Courses in **bold** are typically limited to the semester in which they appear.

Edited 8/11/13



Notes:



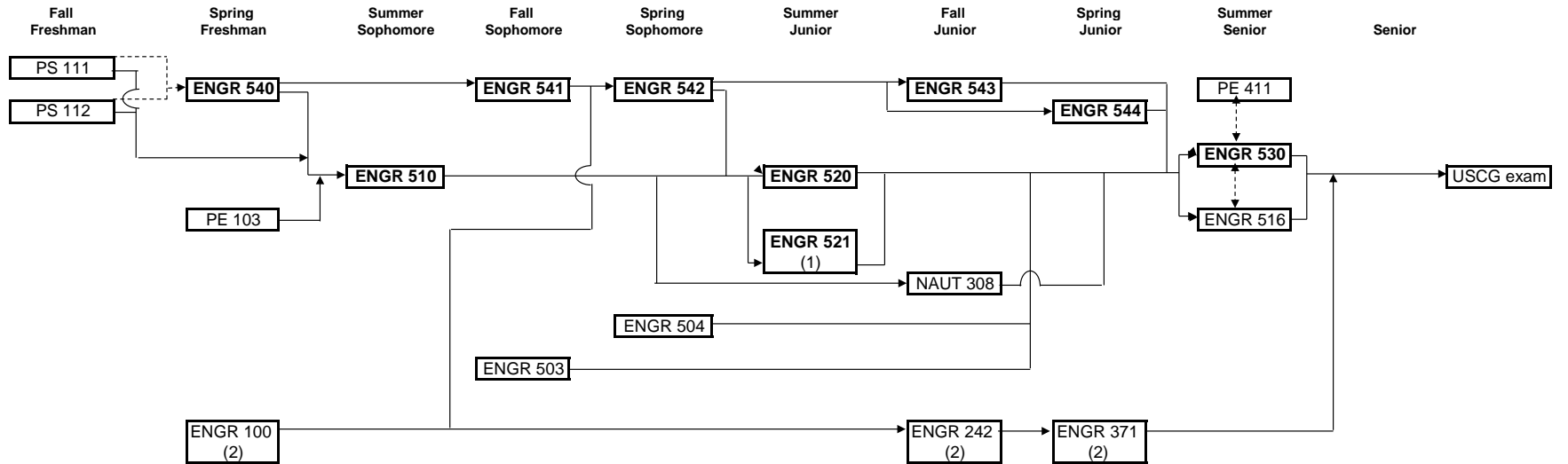
- (1)
- (2)

USCG Deck License students must also take License courses as shown on the "Marine Operations Engine USCG License Flow Chart" Flow sheet. Indicates co-requisite where the course, at the end without an arrow point, is a co-requisite with the course which the arrow points to.
 Prerequisite is MATH 90.
 Prerequisite is Second Class standing.

Marine Operations Engine USCG License Flow Chart for Students Starting in Fall, 2013

Courses in **bold** are typically limited to the semester in which they appear.

Edited 8/12/13



Notes

- (1) ENGR 521 (Cadet Commercial Vessel Shipping) in lieu of ENGR 520.
- (2) Also listed on Marine Operations Engineering Curriculum flow chart.

-----> Indicates co-requisite where the course, at the end without an arrow point, is a co-requisite with the course which the arrow points to.

Maritime Studies - Intern Curriculum Flow Chart for Students Starting in Fall, 2013

Courses in **bold** are typically limited to the semester in which they appear.

Edited 8/11/13

Fall
Freshman

Spring
Freshman

Fall
Sophomore

Spring
Sophomore

Fall
Junior

Spring
Junior

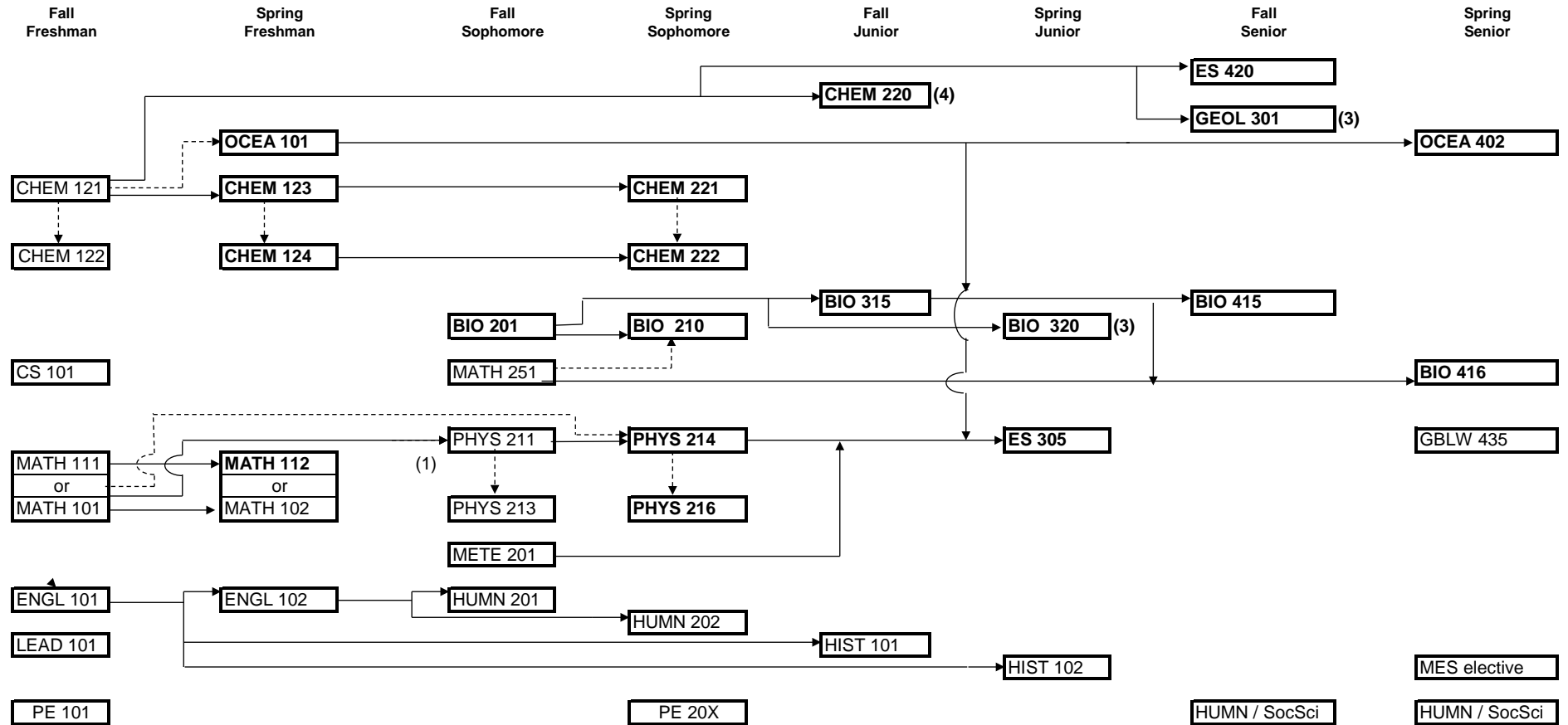
Fall
Senior

Spring
Senior

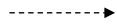
MES Marine Biology Deck License Curriculum Flow Chart for Students Starting in Fall, 2013

Courses in **bold** are typically limited to the semester in which they appear.

Edited 8/11/13



Notes:

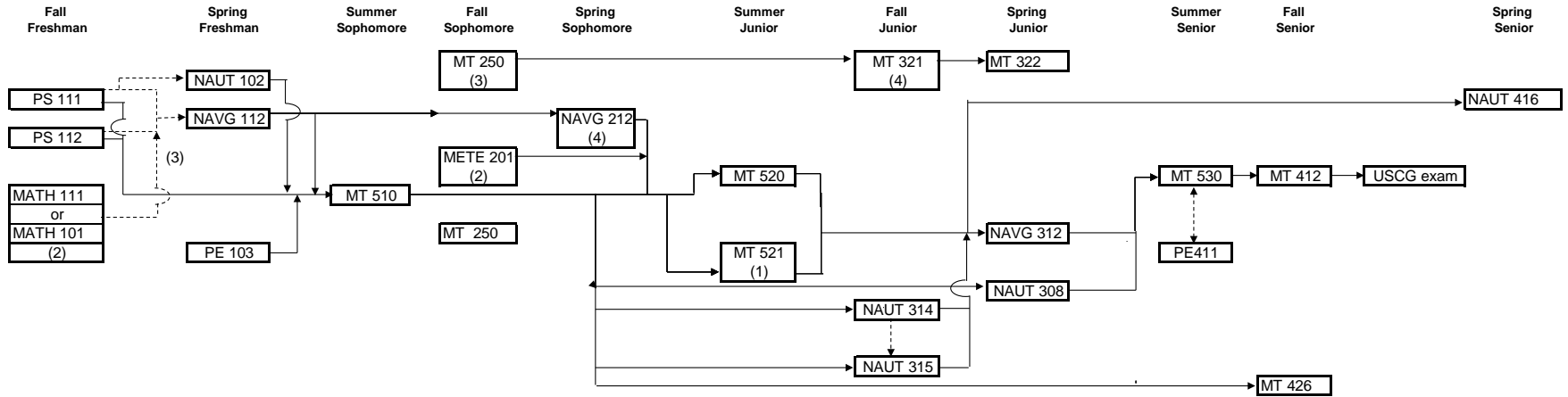


USCG Deck License Students must also take License courses as shown on the "MES Marine Biology USCG Deck License Curriculum Flow Chart" sheet. Indicates co-requisite where the course, at the end without an arrow point, is a co-requisite with the course which the arrow points to.

USCG Deck License Course Flow

MES Marine Biology USCG Deck License Curriculum Flow Chart for Students Starting in Fall, 2013

Edited 8/12/13



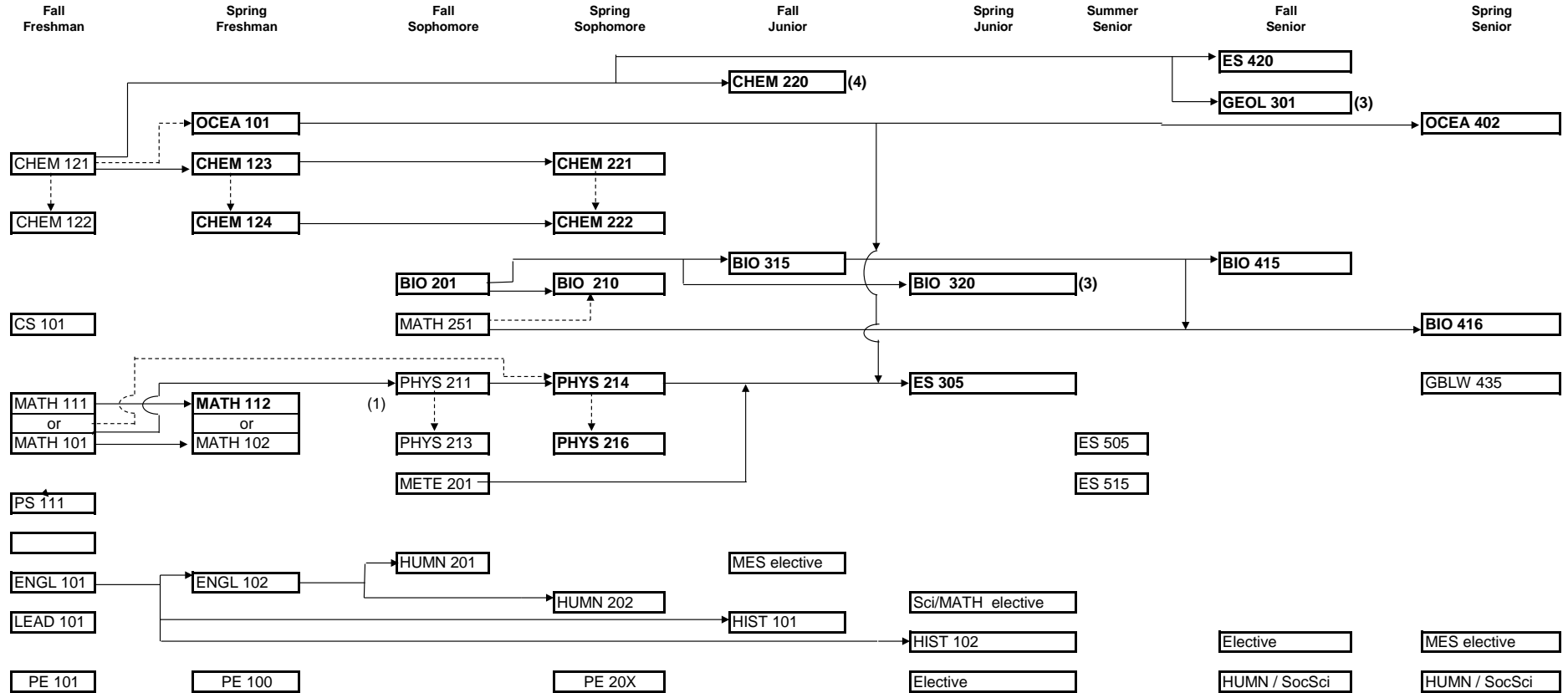
Notes

- (1) MT 521 (Cadet Commercial Vessel Shipping) in lieu of MT 520.
- > (2) Indicates co-requisite where the course, at the end without an arrow point, is a co-requisite with the course which the arrow points to.
- (3) Also listed on MES Marine Biology Deck Curriculum flow chart.
- (4) Corequisite is MATH 90.
- (4) Prerequisite is MATH 90.

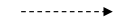
MES Marine Biology Intern Curriculum Flow Chart for Students Starting in Fall, 2013

Courses in **bold** are typically limited to the semester in which they appear.

Edited 8/11/13



Notes:

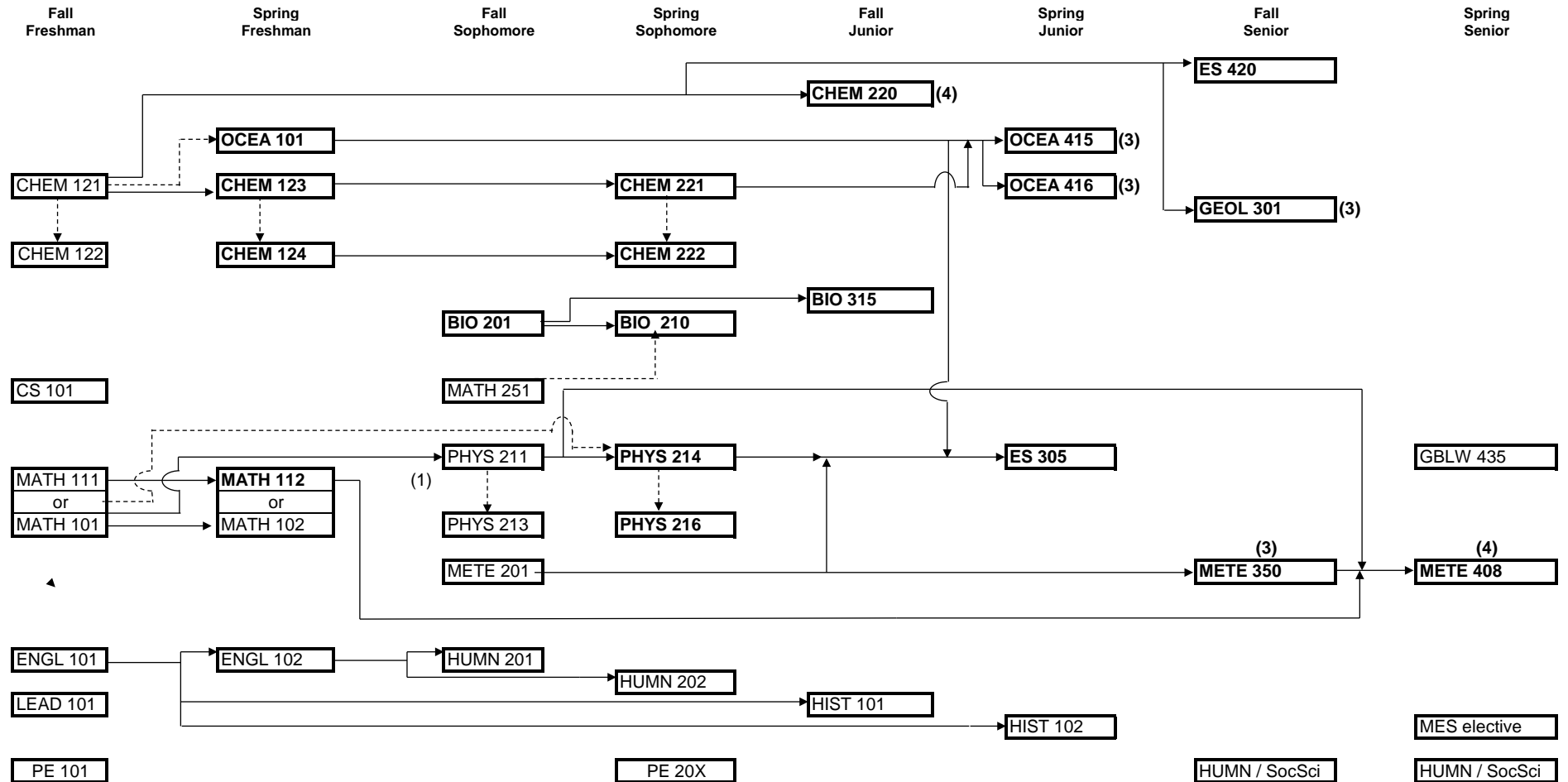


Indicates co-requisite where the course, at the end without an arrow point, is a co-requisite with the course which the arrow points to.

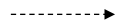
MES M&O USCG DECK Curriculum Flow Chart for Students Starting in Fall, 2013

Courses in **bold** are typically limited to the semester in which they appear.

Edited 8/11/13



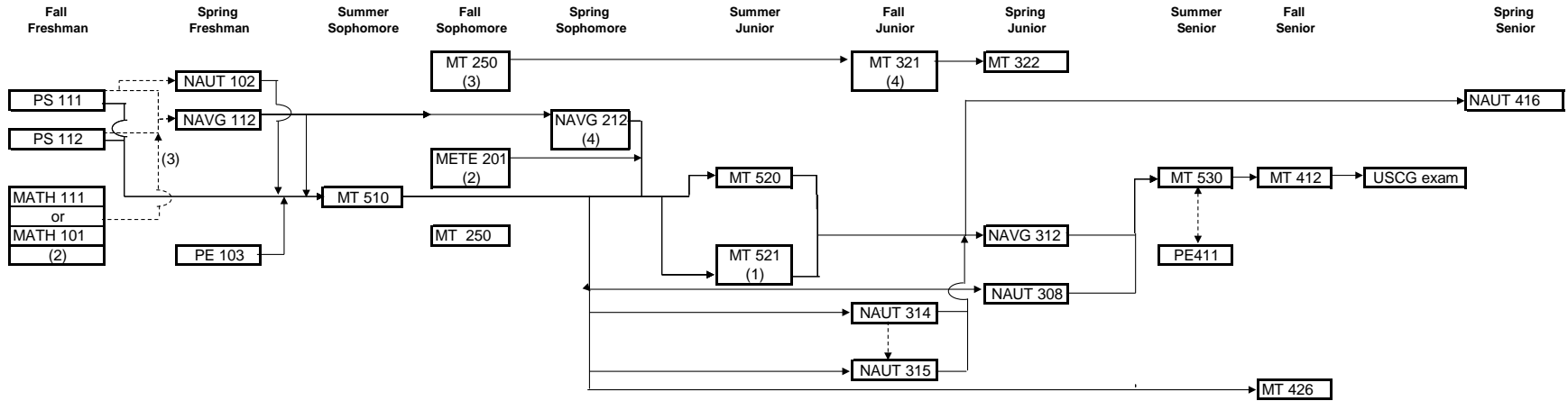
Notes:



USCG Deck License Students must also take License courses as shown on the "MES M&O Deck License Curriculum Flow Chart". Indicates co-requisite where the course, at the end without an arrow point, is a co-requisite with the course which the arrow points to.

USCG Deck License Course Flow
MES M&O Deck License Curriculum Flow Chart for Students Starting in Fall, 2013

Edited 8/12/13



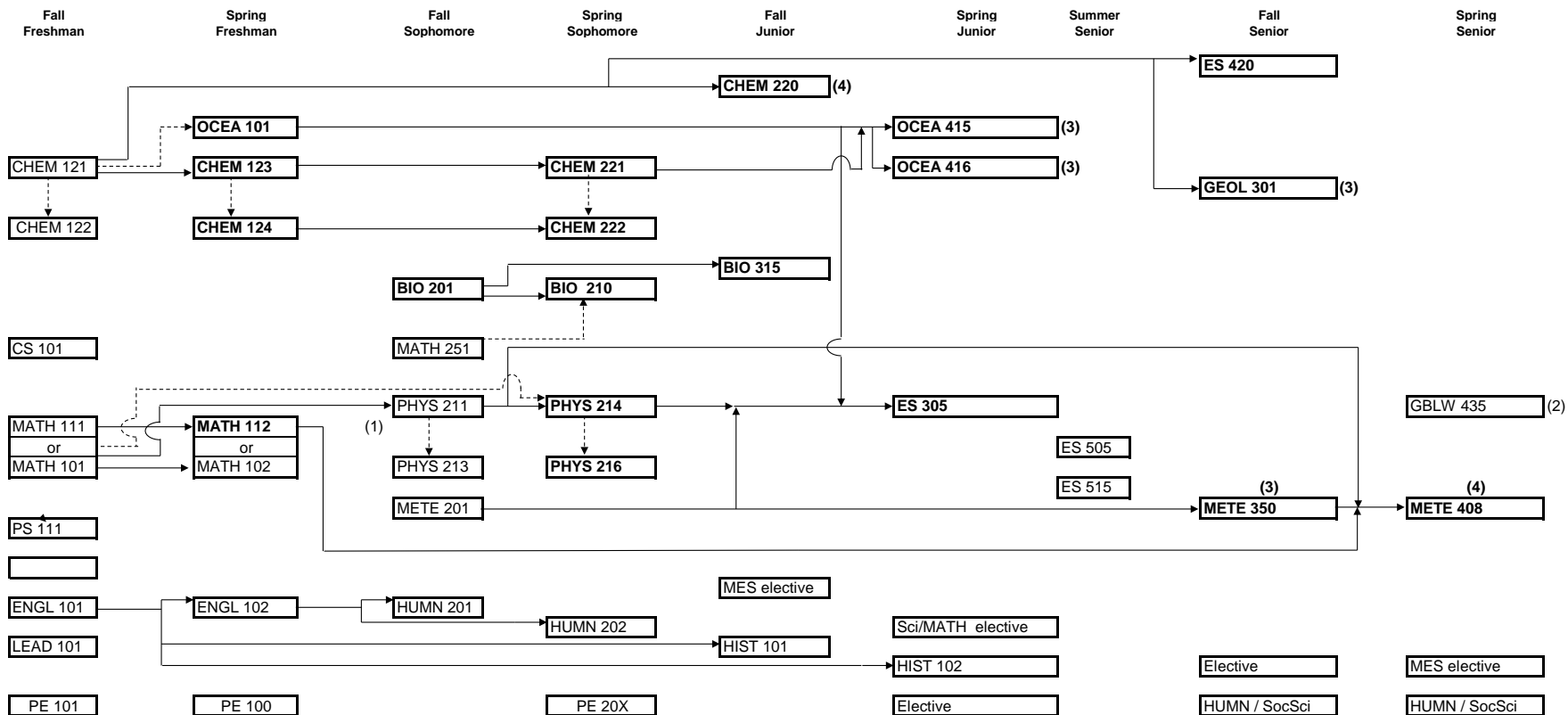
Notes

- (1) MT 521 (Cadet Commercial Vessel Shipping) in lieu of MT 520.
- > (2) Indicates co-requisite where the course, at the end without an arrow point, is a co-requisite with the course which the arrow points to.
- (3) Also listed on MES M&O Deck Course flow chart.
- (3) Corequisite is MATH 90.
- (4) Prerequisite is MATH 90.

MES M&O Intern Curriculum Flow Chart for Students Starting in Fall, 2013

Courses in **bold** are typically limited to the semester in which they appear.

Edited 8/11/13



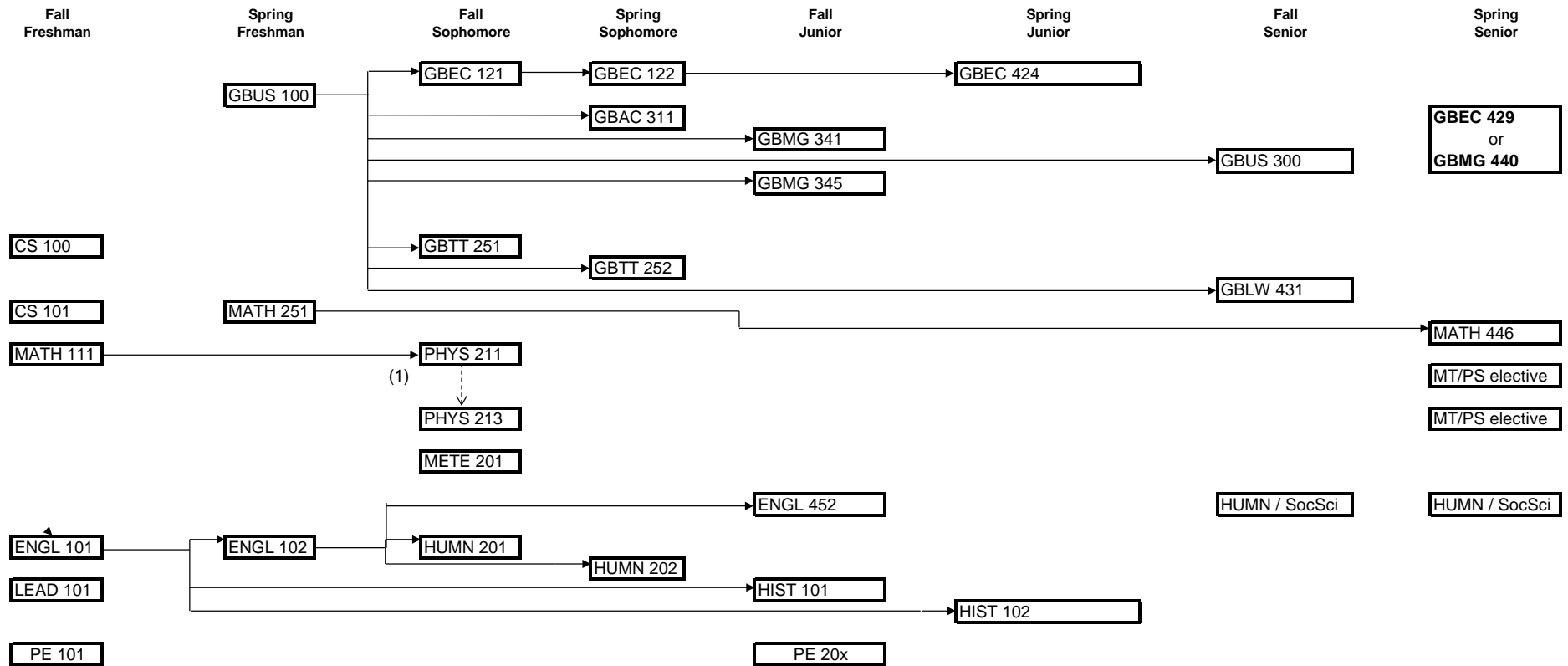
Notes:

- > Indicates co-requisite where the course, at the end without an arrow point, is a co-requisite with the course which the arrow points to.
- (1) Prerequisite is MATH 90.
- (2) Prerequisite is Junior standing.
- (3) Odd years only
- (4) Even years only

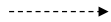
Marine Transportation Deck License Curriculum Flow Chart for Students Starting in Fall, 2013

Edited 8/11/13

Courses in **bold** are typically limited to the semester in which they appear.



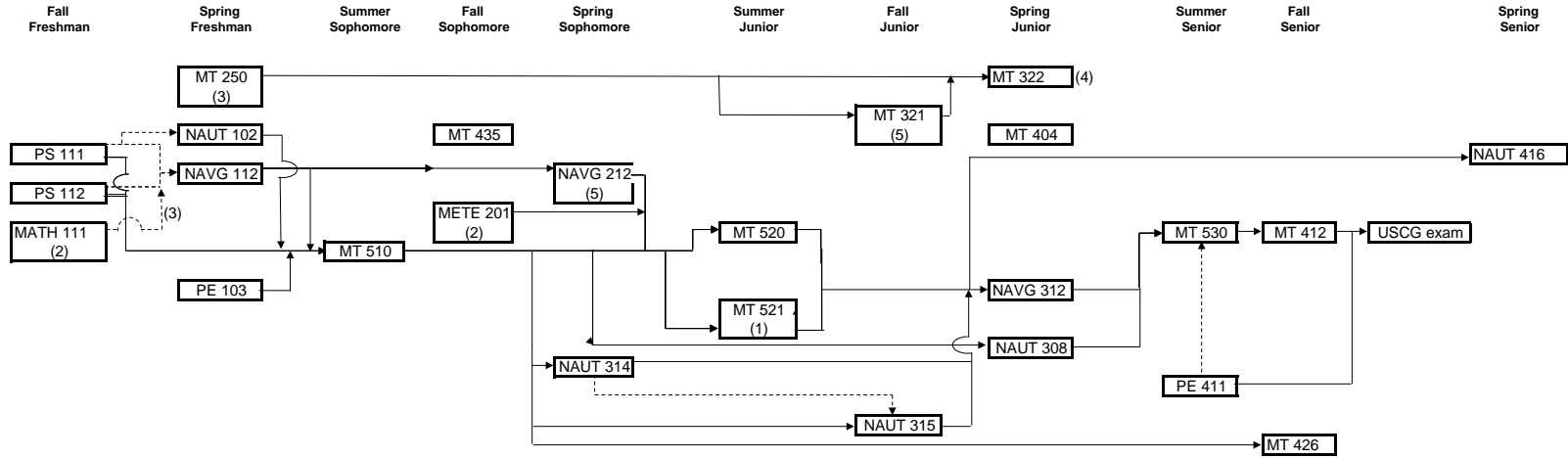
Notes:



Students must also take License courses as shown on the "MT USCG Deck License Flow Chart".
 -----> Indicates co-requisite where the course, at the end without an arrow point, is a co-requisite with the course which the arrow points to.

MT USCG Deck License Flow Chart for Students Starting in Fall, 2013

Edited 8/12/13



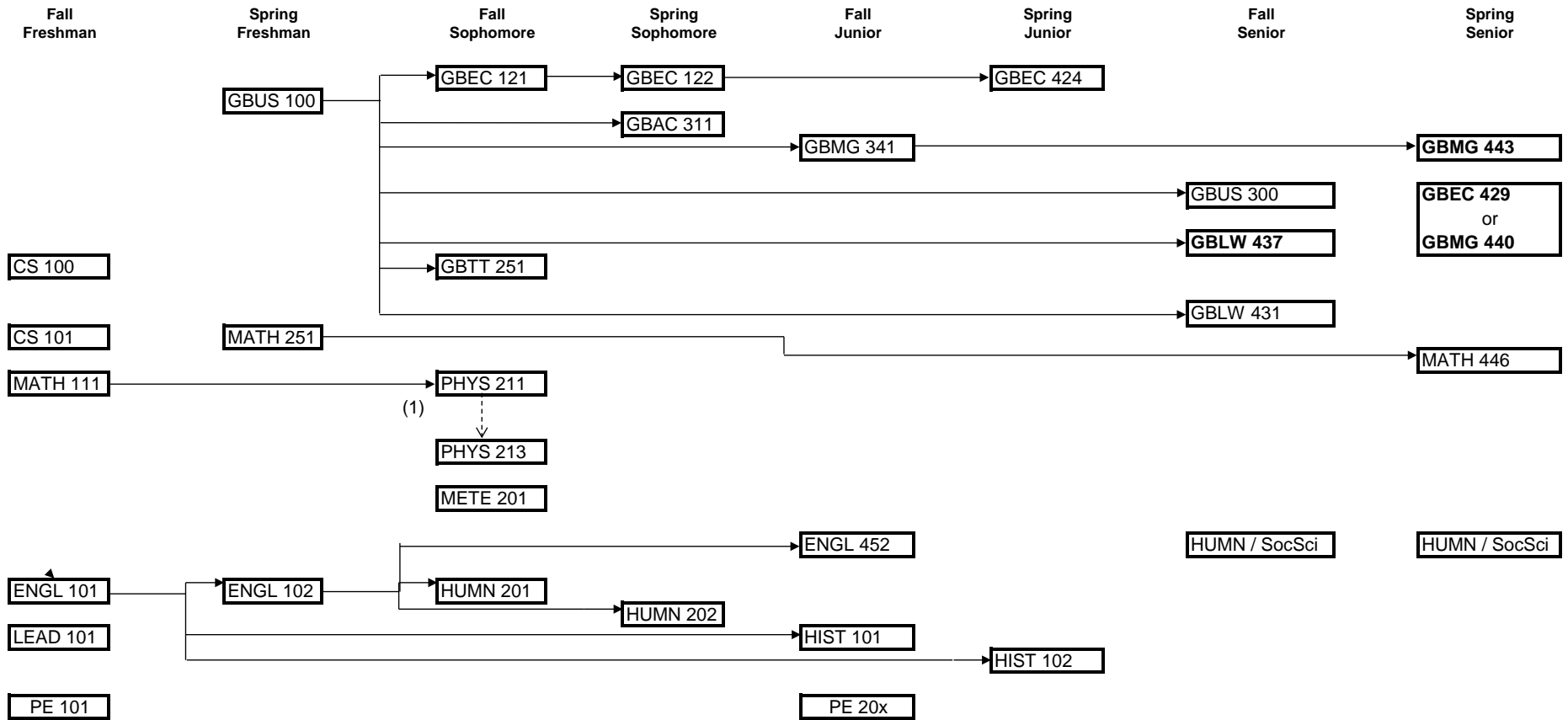
Notes

- (1) MT 521 (Cadet Commercial Vessel Shipping) in lieu of MT 520.
- > Indicates co-requisite where the course, at the end without an arrow point, is a co-requisite with the course which the arrow points to.
- (2) Also listed on MT Deck Course flow chart.
- (3) Co-requisite is MATH 90.
- (4) Prerequisite for MT 322 is MT 250 or MT 321
- (5) Prerequisite is MATH 90.

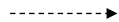
Marine Transportation - Deck License - Ship Management Minor Curriculum Flow Chart for Students Starting in Fall, 2013

Edited 8/18/13

Courses in **bold** are typically limited to the semester in which they appear.



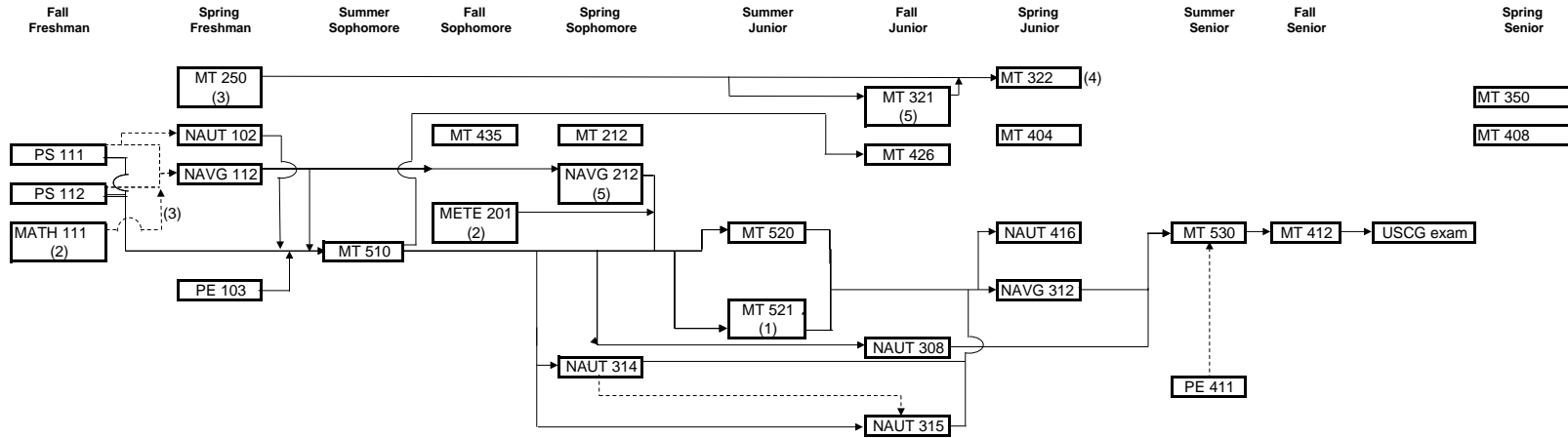
Notes:



Students must also take License courses as shown on the "MT USCG Deck License Flow Chart".
 -----> Indicates co-requisite where the course, at the end without an arrow point, is a co-requisite with the course which the arrow points to.

MT USCG Deck License Ship Management Minor Flow Chart for Students Starting in Fall, 2013

Edited 8/12/13

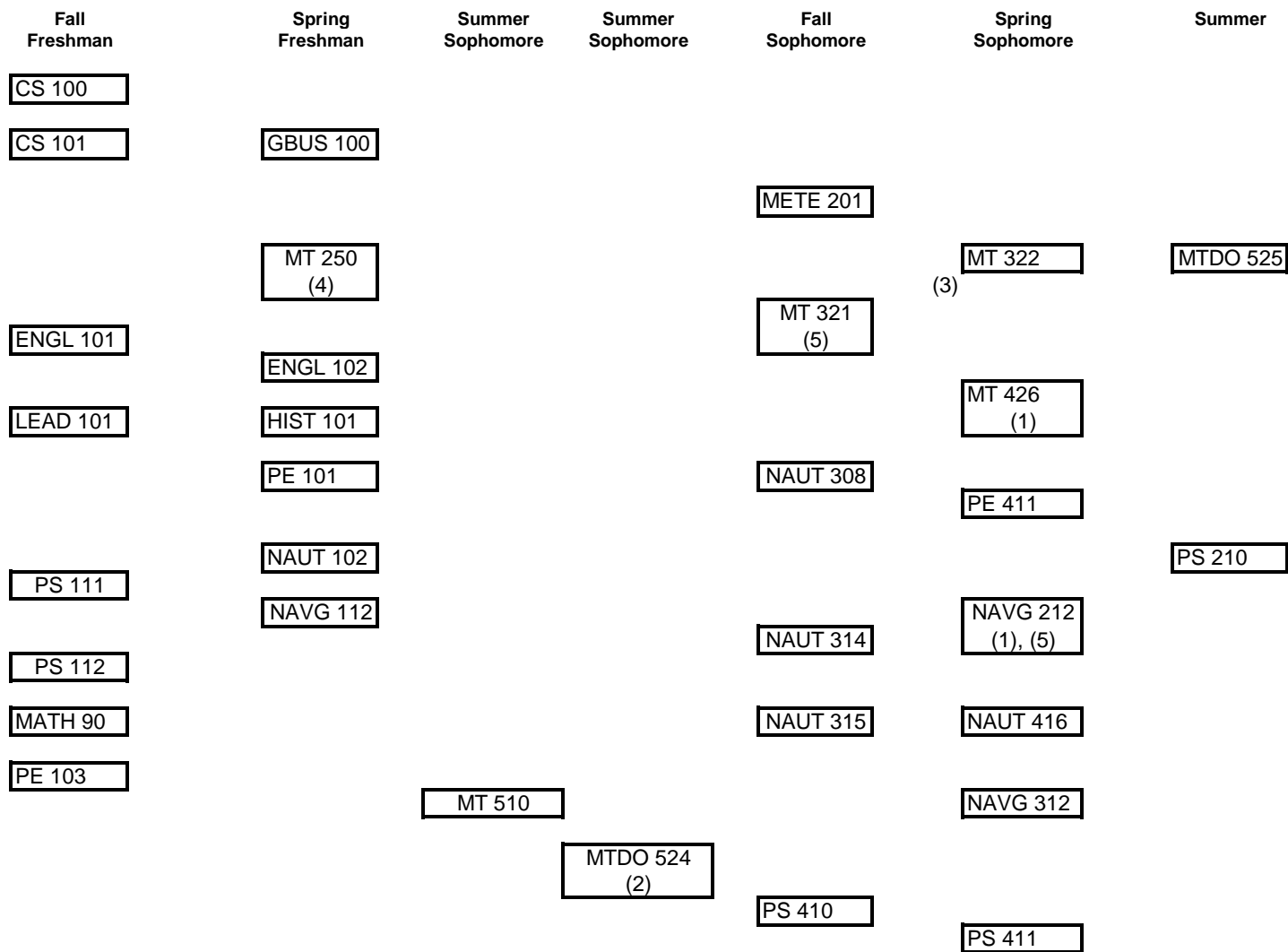


Notes

- (1) MT 521 (Cadet Commercial Vessel Shipping) in lieu of MT 520.
- > Indicates co-requisite where the course, at the end without an arrow point, is a co-requisite with the course which the arrow points to.
- (2) Also listed on MT Deck Course flow chart.
- (3) Corequisite is MATH 90.
- (4) Prerequisite for MT 322 is MT 250 or MT 321
- (5) Prerequisite is MATH 90.

Marine Technology: Small Vessel Operations Curriculum Flow Chart Starting in Fall, 2013

Edited 8/10/13



Notes

- (1) Indicates co-requisite where the course, at the end without an arrow point, is a co-requisite with the course which the arrow points to.
- (2) Ocean Endorsement Option
- (3) MT 520 Summer Sea Term II may be substituted for MTDO 524. Note that MT 520 has prerequisites of MT 510, METE 201, NAVG 212.
- (4) Prerequisite for MT 322 is MT 250 or MT 321
- (5) Corequisite is MATH 90.
- (5) Prerequisite is MATH 90.